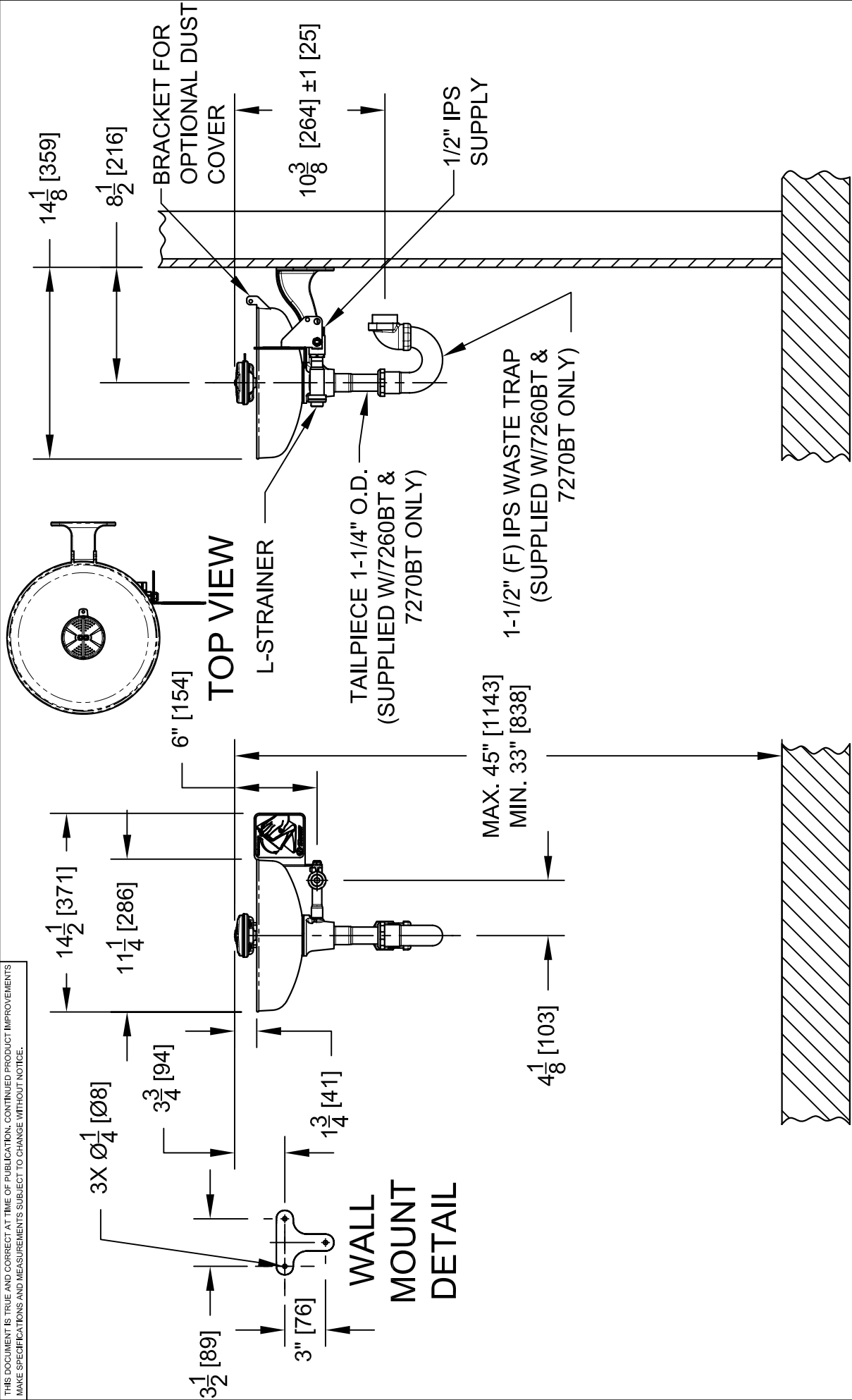
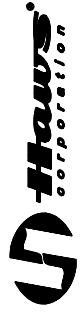


THIS DOCUMENT IS TRUE AND CORRECT AT TIME OF PUBLICATION. CONTINUED PRODUCT IMPROVEMENTS MAKE SPECIFICATIONS AND MEASUREMENTS SUBJECT TO CHANGE WITHOUT NOTICE.



NOTES:

1. METRIC DIMENSIONS ARE IN BRACKETS [X].
2. TO COMPLY WITH ANSI Z358.1-2004 FOR EMERGENCY EYEWASH AND EYE/FACE WASH:
 - UNIT SHALL BE INSTALLED IN ACCORDANCE WITH MANUFACTURER'S INSTRUCTIONS AND ACCEPTABLE PLUMBING PRACTICES.
 - EYEWASH OR EYE/FACE WASH SHALL BE POSITIONED WITH NOZZLES NOT LESS THAN 83.8 CM (33 IN.) AND NO GREATER THAN 114.3 CM (45 IN.) FROM SURFACE ON WHICH USER STANDS AND 15.3 CM (6 IN.) MINIMUM FROM WALL OR NEAREST OBSTRUCTION.
3. DIMENSIONS MAY VARY BY ±1/2 [13].



INFO FAX : 1-888-FAX-HAWS (1-888-329-4297)
 1455 Kleppe Ln, Sparks NV, 89431
 Phone: 775-359-4712 Fax: 775-359-7424
 Haws Ag Bachweg 3 CH-3401 Burgdorf Switzerland
 Haws Wfg Pte Ltd 74 Sungai Kadut Loop Singapore 728631
 e-mail: Haws@hawsco.com website: www.hawsco.com

REV. NO.	REVISED DATE	ISSUE	MODEL(S)
4110	ECN: 4161	IR	7260B/7260BT/7270B/7270BT
DRAWN:	DATE:	CHKD:	INFO FAX DOC #:
SLS	5-1-08		272602/2726028/272702/2727028
APPROVED:	DATE:	SCALE:	1:1
		DRAWING TYPE:	INSTALLATION/FABRICK
		SIZE:	A
		SHEET:	4 OF 4
		PART NUMBER:	0002080038.D
		REV:	13
			15344A00