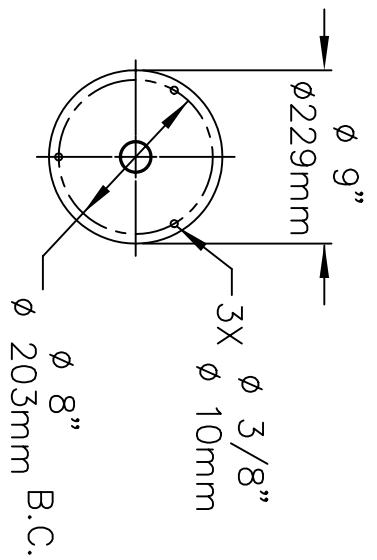
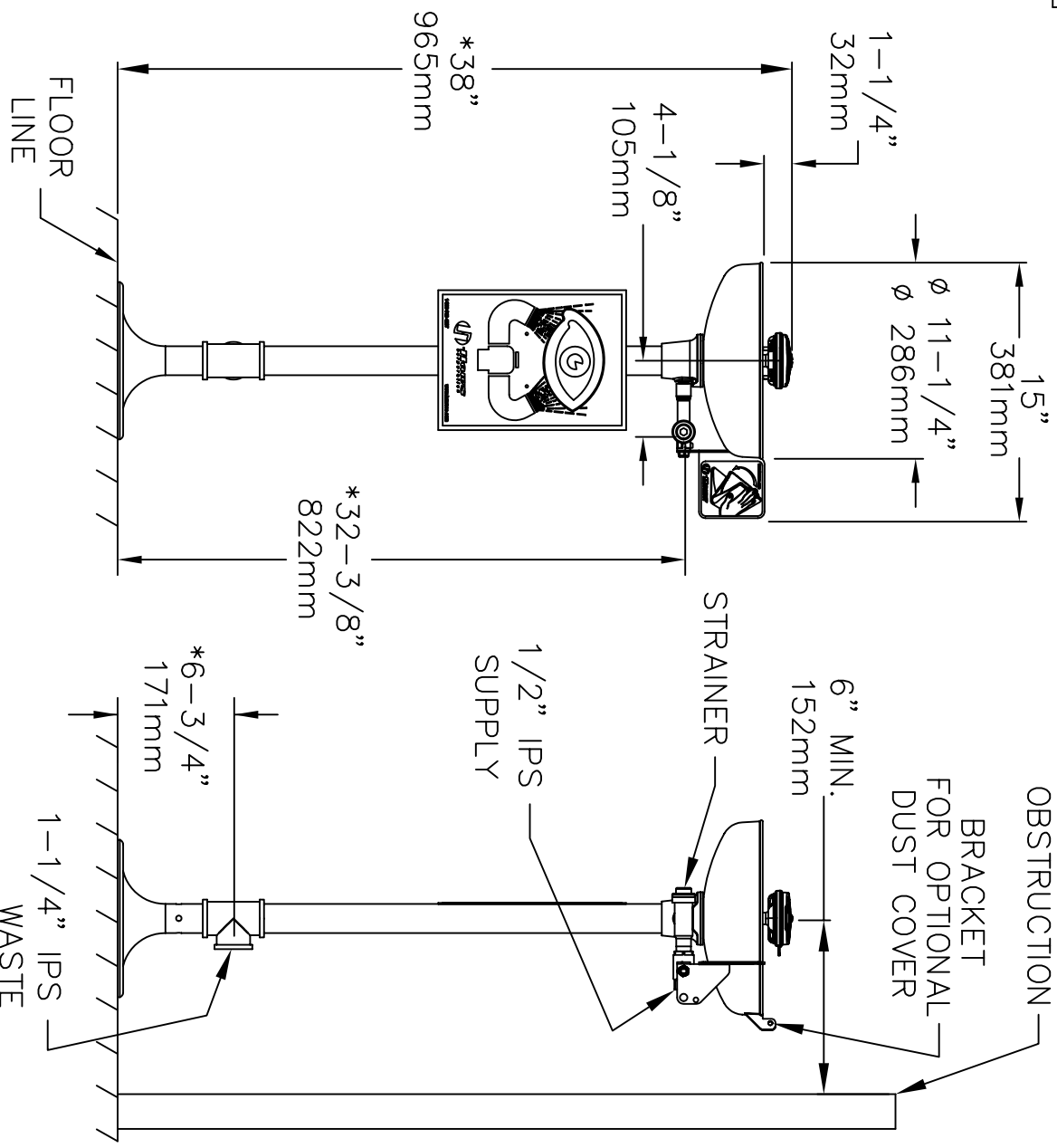


TOP VIEW

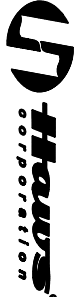


MOUNTING DETAIL



NOTES:

1. TO COMPLY WITH ANSI Z358.1-2004 FOR EMERGENCY EYEWASH AND EYE/FACE WASH:
 - UNIT SHALL BE INSTALLED IN ACCORDANCE WITH MANUFACTURER'S INSTRUCTIONS AND ACCEPTABLE PLUMBING PRACTICES.
 - EYEWASH OR EYE/FACE WASH SHALL BE POSITIONED WITH NOZZLES NOT LESS THAN 83.8 CM (33IN.) AND NO GREATER THAN 114.3 CM (45 IN.) FROM SURFACE ON WHICH USER STANDS AND 15.3 CM (6 IN.) MINIMUM FROM WALL OR NEAREST OBSTRUCTION.
2. *THESE DIMENSIONS MAY VARY ± 1/2" [12.7mm]



1455 Kiappa Ln, Sparks, NV, 89431
 Phone: 775-359-4712 Fax: 775-359-7424
 Haws AG Buchweg 3 CH-3401 Burgdorf, Switzerland
 Haws Ming Pte Ltd 74 Sungai Kodut Loop Singapore 729531
 e-trail@hawsinc.com website: www.hawsco.com

INFO FAX : 1-888-FAX-HAWS (1-888-329-4297)

DESIGN NO.	REVISION	DATE	BY	CHKD.	SCALE
ENCL 4.161	04/92				

MODEL(S): 7261/7271/7261GRP/7271GRP
 INFO FAX DOC #: 27261, 27271

PROJ. NO.	DATE	SIZE
09398A00	1/4"	A