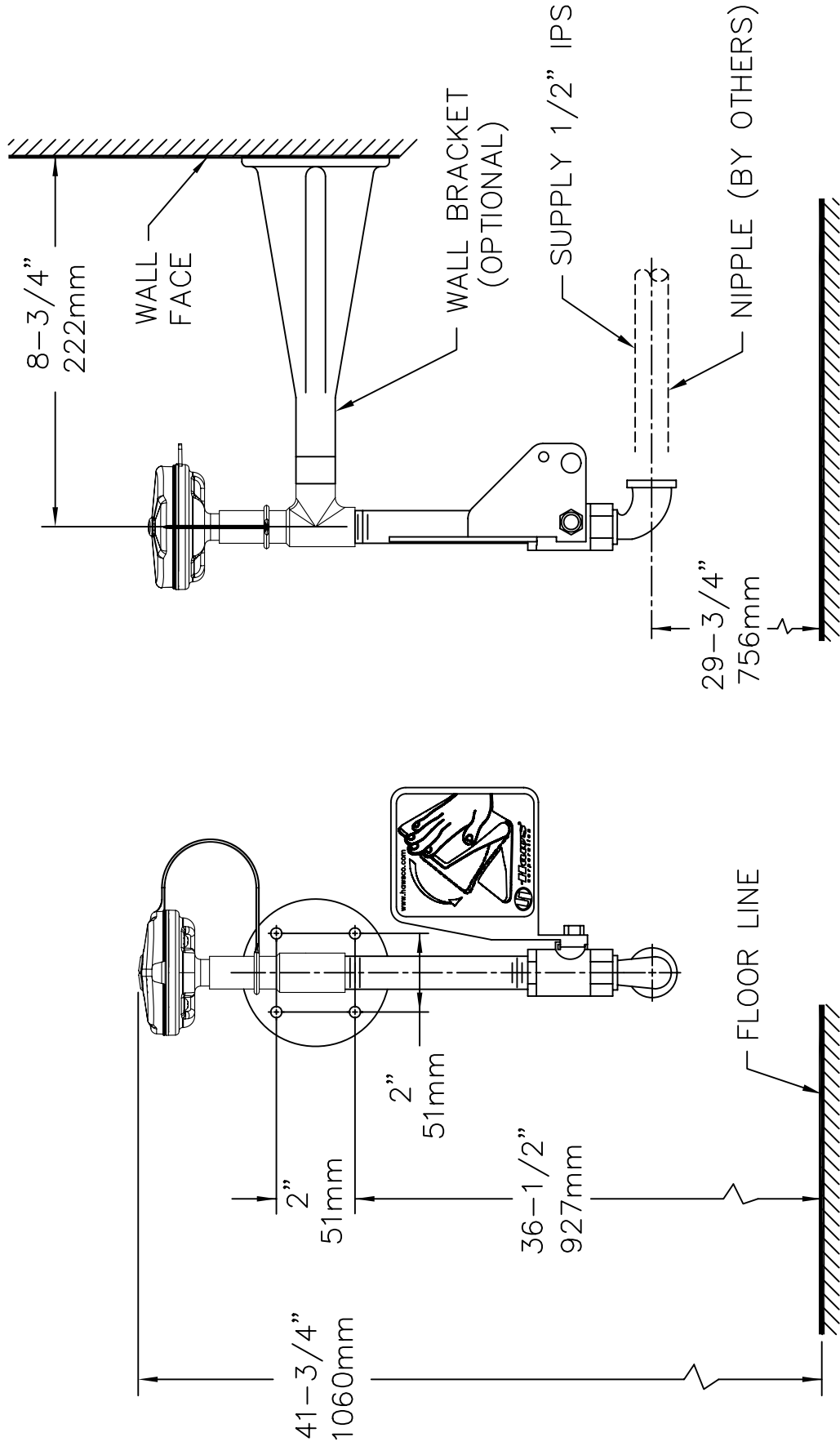
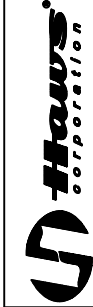


THIS DOCUMENT IS TRUE AND CORRECT AT TIME OF PUBLICATION. CONTINUED PRODUCT IMPROVEMENTS MAKE SPECIFICATIONS AND MEASUREMENTS SUBJECT TO CHANGE WITHOUT NOTICE.



NOTES:

1. TO COMPLY WITH ANSI Z358.1-2004 FOR EMERGENCY EYEWASH OR EYE/FACE WASH AND SHOWER EQUIPMENT:
 - UNIT SHALL BE INSTALLED IN ACCORDANCE WITH MANUFACTURER'S INSTRUCTIONS AND ACCEPTABLE PLUMBING PRACTICES.
 - EYEWASH OR EYE/FACE WASH SHALL BE POSITIONED WITH NOZZLES NOT LESS THAN 83.8 CM (33 IN.) AND NO GREATER THAN 114.3 CM (45 IN.) FROM SURFACE ON WHICH USER STANDS AND 15.3 CM (6 IN.) MINIMUM FROM WALL OR NEAREST OBSTRUCTION.



INFO FAX : 1-888-FAX-HAWS (1-888-329-4297)
 1455 Kleppe Ln, Sparks NV, 89431
 Phone: 775-359-4712 Fax: 775-359-7424
 Haws Ag, Bachweg 3, CH-3401 Burgdorf, Switzerland
 Haws (S) Pte Ltd, 74 Sungai Kadut Loop, Singapore 729531
 e-mail: Haws@hawsco.com website: www.hawsco.com

| | | | | | |
|-----------|-----------|-------|------|---------------------------|--------------|
| FOR NO.: | ECN: 4170 | REV: | 7324 | MODEL(S): | 0007080068.D |
| DATE: | 05/01 | DATE: | | INFO FAX DOC #: | 09450A00 |
| APPROVED: | | DATE: | | SCALE: | 1:1 |
| | | | | INSTALLATION/FABRICATION: | 16 |
| | | | | SIZE: | A |
| | | | | SHEET: | 1 OF 1 |