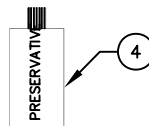
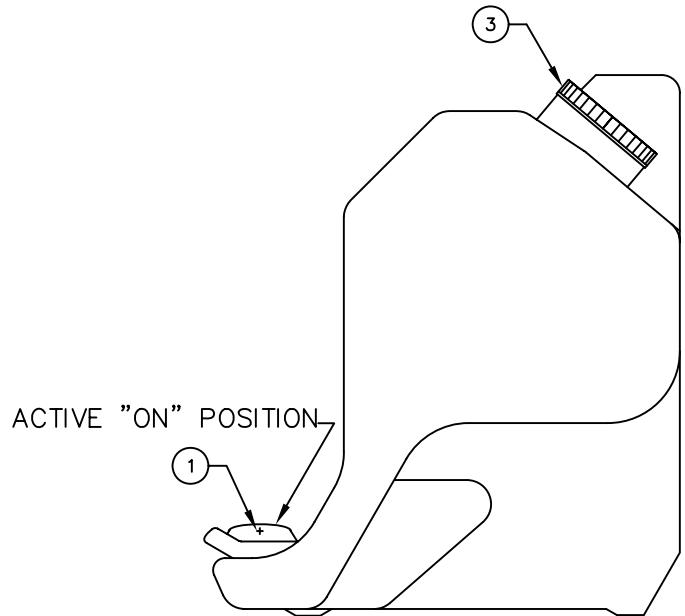
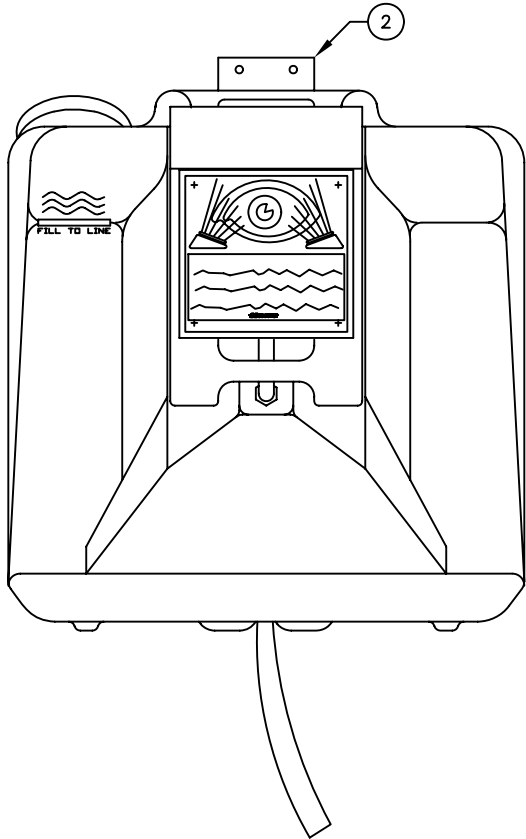



ITEM	DESCRIPTION
1	SP19 EYEWASH HEAD ASSE.
2	BRACKET P/N 0001217418
3	SP131 CAP ASSEMBLY
4	9082 BACTERIOSTATIC PRESERVATIVE

PARTS BREAKDOWN



WHEN ORDERING PARTS PLEASE SPECIFY YOUR MODEL NUMBER			1455 KLEPPE LANE SPARKS, NEVADA	BACHWEG 3 CH3401 BURGDORF SWITZERLAND	
	DRAWN BY: CLF	DATE: 06/24/93	CHECK BY:	APP'D BY:	SCALE: 1/4
	TITLE: 7500 PORTABLE EYEWASH			PART NUMBER: 0002080058	
	DRAWING TYPE: PARTS BREAKDOWN			DRAWING NUMBER: 11454C00	REV. 8