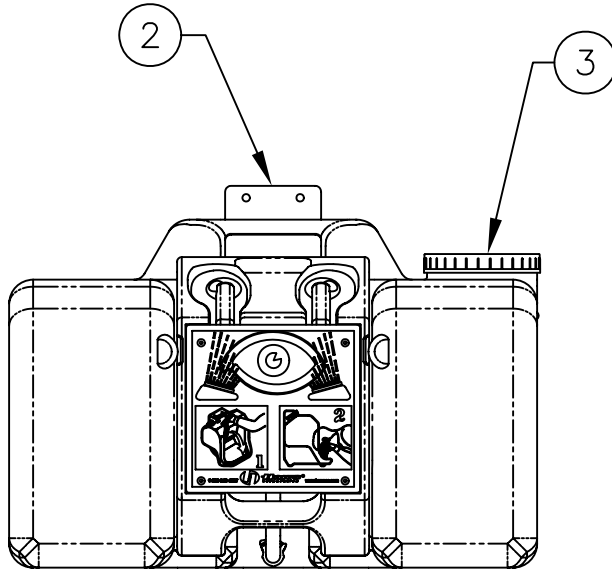
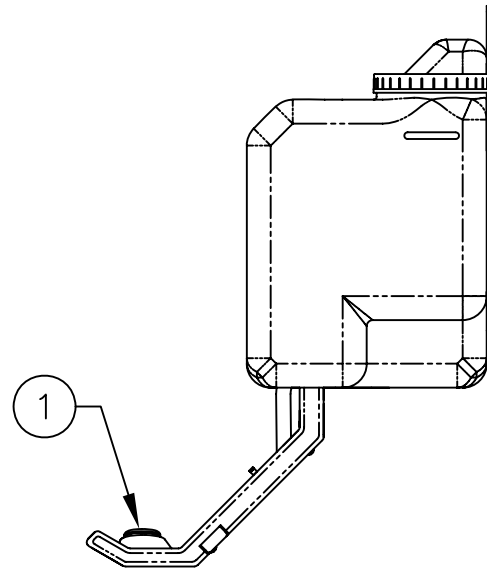


ITEM	DESCRIPTION
1	SP19 EYEWASH HEAD ASSY
2	BRACKET P/N: 0001217418
3	SP131 CAP
4	-
5	9082 BACTERIOSTATIC PRESERVATIVE

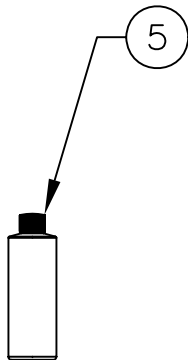
# PARTS BREAKDOWN



STAND BY  
"OFF"  
POSITION



ACTIVE  
"ON"  
POSITION



**WHEN ORDERING  
PARTS PLEASE  
SPECIFY YOUR  
MODEL NUMBER**



1455 KLEPPE LANE BACHWEG 3  
SPARKS, NEVADA CH3401 BURGDORF  
SWITZERLAND

DRAWN BY: RTM	DATE: 04/19/04	CHECK BY:	APP'D BY:	SCALE: 1/4
TITLE: 7501 PORTABLE GRAVITY EYEWASH			PART NUMBER: 0002080045	
DRAWING TYPE: PARTS BREAKDOWN			DRAWING NUMBER: 15154C00	REV. 3