



# INSTALLATION, OPERATION & MAINTENANCE INSTRUCTIONS

1455 Kleppe Lane ♦ Sparks, NV 89431-6467 ♦ (775) 359-4712 ♦ Fax (775) 359-7424  
HAWS AG ♦ Bachweg 3 ♦ CH-3401 Burgdorf ♦ Switzerland  
Haws Mfg. Pte Lt. ♦ 74 Sungei Kadet Loop ♦ Singapore 729531  
E-mail: [haws@hawsco.com](mailto:haws@hawsco.com) ♦ website: [www.hawsco.com](http://www.hawsco.com)

No. 2080060(9)

## Model 7601.10.2 Portable Eyewash

**NOTE TO INSTALLER: Please leave this information with the Maintenance Department.**

### LIMITED WARRANTY

HAWS® warrants that all of its products are guaranteed against defective material or poor workmanship for a period of **one year from date of shipment**. HAWS liability under this warranty shall be discharged by furnishing without charge F.O.B. HAWS Factory any goods, or part thereof, which shall appear to the Company upon inspection to be of defective material or not of first class workmanship, provided that claim is made in writing to company within a reasonable period after receipt of the product. Where claims for defects are made, the defective part or parts shall be delivered to the Company, prepaid, for inspection. HAWS will not be liable for the cost of repairs, alterations or replacements, or for any expense connected therewith made by the owner or his agents, except upon written authority from HAWS, Sparks, Nevada. HAWS will not be liable for any damages caused by defective materials or poor workmanship, except for replacements, as provided above. Buyer agrees that Haws has made no other warranties either expressed or implied in addition to those above stated, except that of title with respect to any of the products or equipment sold hereunder and that HAWS shall not be liable for general, special, or consequential damages claimed to arise under the contract of sale.

The emergency equipment manufactured by HAWS is warranted to function if installation and maintenance instructions provided are adhered to. The units also must be used for the purpose, which they were intended. This product is intended to supplement first-aid treatment. Due to widely varying conditions HAWS cannot guarantee that the use of this emergency equipment will prevent serious injury or the aggravation of existing or prior injuries.

**NO OTHER WARRANTIES EXPRESSED OR IMPLIED ARE AUTHORIZED, PROVIDED OR GIVEN BY HAWS.**

**SHOULD YOU EXPERIENCE DIFFICULTY WITH THE INSTALLATION OF THIS MODEL, PLEASE CALL:**

**1-800-766-5612**

**FOR PARTS CALL:**

**1-800-758-9378**

**(U.S.A. AND CANADA ONLY) MONDAY-THURSDAY: 6:00 A.M. – 4:00 P.M. PST  
FRIDAY: 6:00 A.M – 1:00 P.M. PST**

**LOCATION OF UNIT:** The Model 7601.10.2 should be placed in close proximity to potential accident areas. It should be clearly identified, free from obstructions and easily accessible.

## INSTALLATION INSTRUCTIONS

- Step 1:** Unlock the cover plate on the top of tank. Use potable water to flush and drain the tank at least twice.
- Step 2:** Fill the tank with potable water up to the top of the water level mark on the tube inside the tank (It may be helpful to locate the mark with a flashlight). Add Bacteriostatic Preservative as directed.
- Step 3:** Lock the cover plate back in position.
- Step 4:** Screw the eyewash assembly into the ball valve. Use Loctite 680 on this joint.
- Step 5:** Charge the tank with clean compressed air to 90 PSI through air valve (tire type).
- Step 6:** The unit is ready for operation.

## OPERATION INSTRUCTIONS

Self-adjusting flow controls assure a constant even flow of .4 gpm for 15 minutes. Instruct all employees in the use of this Portable Emergency Eyewash. Personnel should be assigned to check eyewash liquid level and pressure before any work starts.

- Step 1:** Lead the injured to the nearest eyewash station. Seconds can make a big difference in preventing serious eye injury.
- Step 2:** Push the flag to activate the eyewash.
- Step 3:** Lower head until eyes enter eyewash stream. Use thumbs and forefingers to hold eyelids open so water can flow on surfaces and in folds surrounding eyeballs.
- Step 4:** Seek qualified medical attention immediately.

## MAINTENANCE

- Step 1:** When water is filled up to the water level mark on the tube inside tank, the unit weighs approximately 92 lbs. Use good judgment to check the water level.
- Step 2:** Self contained eyewash equipment shall be visually checked to determine if flushing fluid needs to be changed or supplemented.
- Step 3:** Take proper precautions to help prevent the growth of bacteria in eyewash tank. We recommend either of the following procedures:
- A. Use suitable Bacteriostatic Preservative to help prevent the growth of bacteria in eyewash tank. Eyewash tank should be drained, flushed and refilled with potable water and Bacteriostatic Preservative as directed by the preservative's manufacturer.
  - B. Drain, flush and refill tank with potable water at least once every week. Thoroughly cleanse tank at least once every month.
- Note:** Acanthamoeba survive mild chlorination and are commonly found in tap water. Bacteriostatic Preservative will prevent the growth of Acanthamoeba. Hot water, 158° F (70°C) or hotter will destroy Acanthamoeba but must be allowed to cool prior to use in eyewash units.

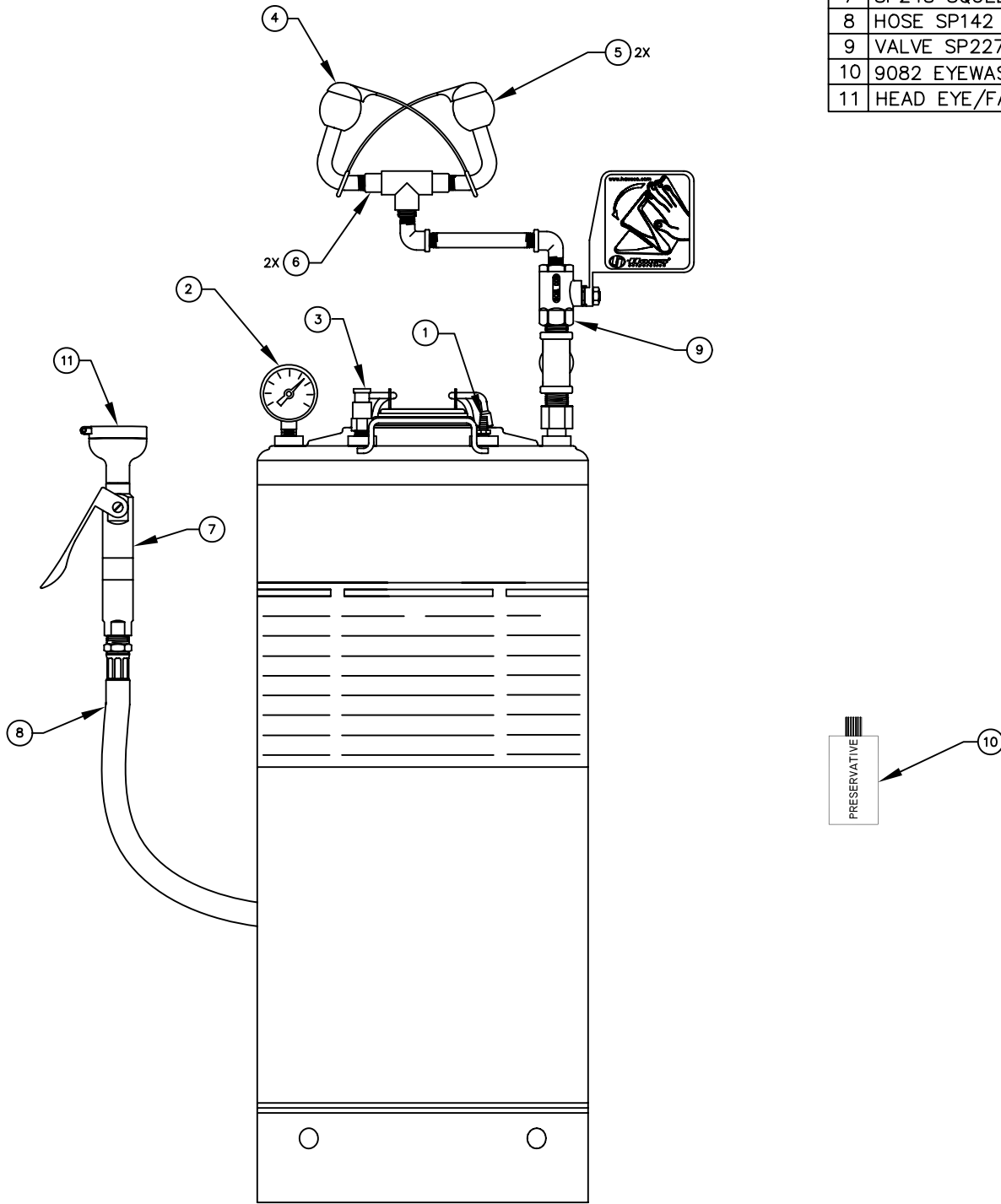
**IMPORTANT:**

Before refilling the tank with water, bleed pressure from the tank by opening relief valve on the oval cover.

<b>TROUBLESHOOTING</b>	
<b>PROBLEM</b>	<b>REPAIR CHECKLIST</b>
1. No flow.	1. a. Tank empty. Refill tank. b. Obstruction in line of fitting. Clean obstruction.
2. Poor flow.	2. a. Tighten head assembly. b. Check for obstructions. If necessary, remove eyewash head(s) and clean flow control.
3. Eyewash flows for less than 15 minutes.	3. a. Fill tank with water up to the top of the water level mark on tube. b. Fill tank with pressurized air to 90 psi.

# PARTS BREAKDOWN

ITEM	DESCRIPTION
1	VALVE, AIR 0006522676
2	GAUGE, PRESSURE 0002580702
3	VALVE, RELIEF 0006520704
4	9094 COVER, POP-OFF
5	HEAD, EYEWASH SP12
6	FLOW CONTROL 0012506950
7	SP248 SQUEEZE VALVE
8	HOSE SP142
9	VALVE SP227
10	9082 EYEWASH PRESERVATIVE
11	HEAD EYE/FACE 0002974804



**WHEN ORDERING  
PARTS PLEASE  
SPECIFY YOUR  
MODEL NUMBER**



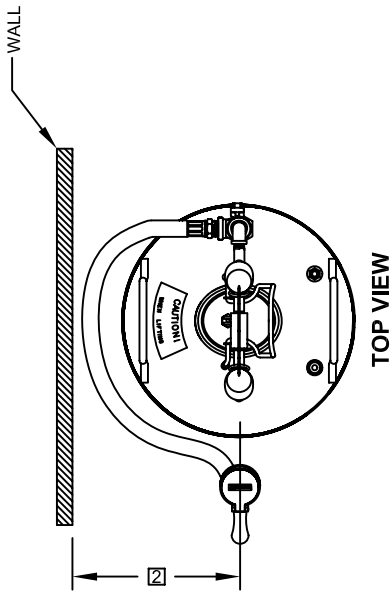
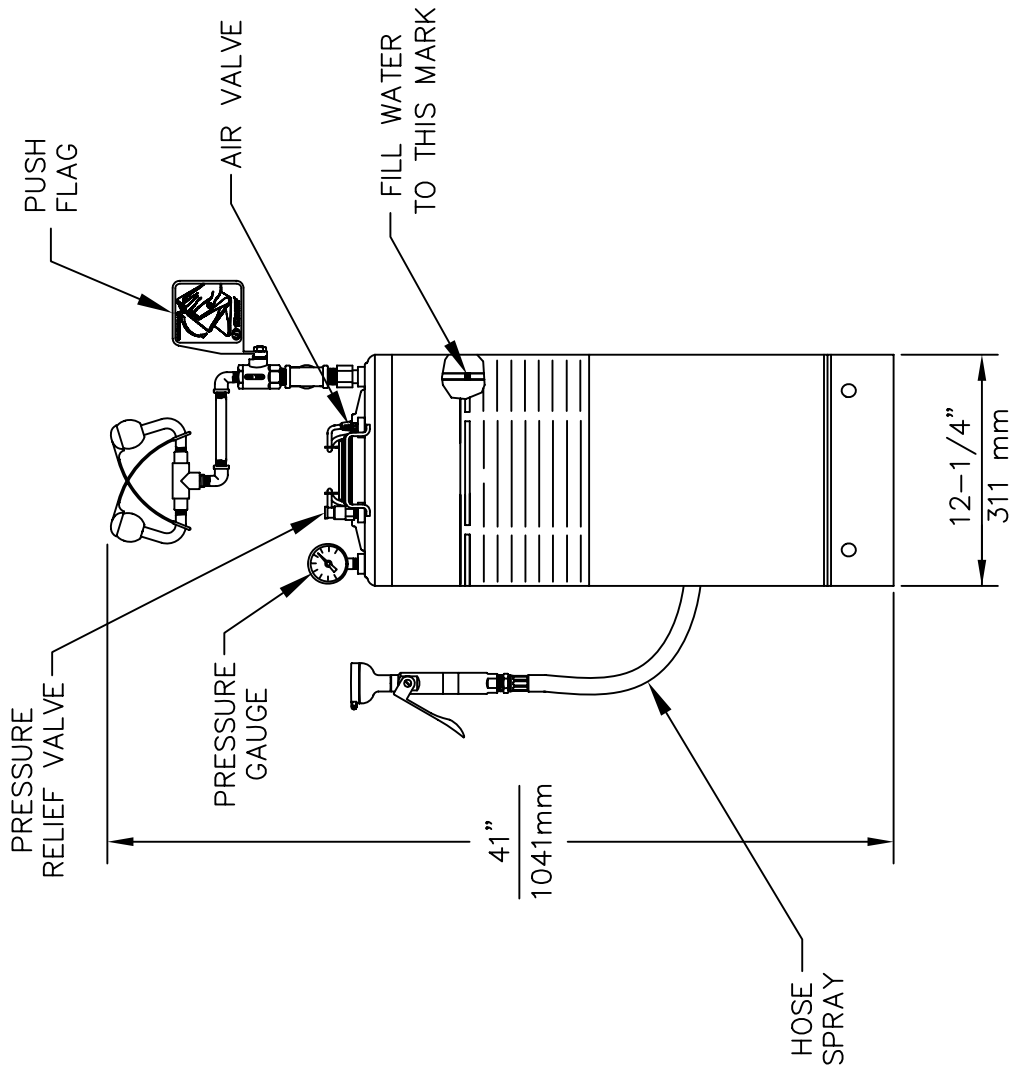
**Haws**  
corporation

1455 KLEPPE LANE  
SPARKS, NEVADA

BACHWEG 3  
CH3401 BURGDORF  
SWITZERLAND

DRAWN BY: F.V.	DATE: 11/25/96	CHECK BY:	APP'D BY:	SCALE: 1/3
TITLE: 7601.10.2			PART NUMBER: 0002080060	
DRAWING TYPE: PARTS BREAKDOWN			DRAWING NUMBER: 12731C00	REV: 9

THIS DOCUMENT IS TRUE AND CORRECT AT TIME OF PUBLICATION. CONTINUED PRODUCT IMPROVEMENTS MAKE SPECIFICATIONS AND MEASUREMENTS SUBJECT TO CHANGE WITHOUT NOTICE.



**NOTES:**

- 1 TO COMPLY WITH ANSI Z358.1-2004 FOR EMERGENCY EYEWASH:  
 UNIT SHALL BE INSTALLED IN ACCORDANCE WITH MANUFACTURER'S INSTRUCTIONS AND ACCEPTABLE PLUMBING PRACTICES.  
 EYEWASH SHALL BE POSITIONED WITH NOZZLES NOT LESS THAN 83.8 CM (33 IN.) AND NO GREATER THAN 114.3 CM (45 IN.) FROM SURFACE ON WHICH USER STANDS AND 15.3 CM (6 IN.) MINIMUM FROM WALL OR NEAREST OBSTRUCTION.
- EYEWASH HEAD ASSEMBLY MUST BE PARALLEL TO WALL OR OBSTRUCTION TO MEET CRITERIA STATED IN ACCORDANCE TO NOTE 1.



INFO FAX : 1-888-FAX-HAWS (1-888-329-4297)  
 1455 Kleppe Ln, Sparks NV, 89431  
 Phone: 775-359-4712 Fax: 775-359-7424  
 Haws Ag, Bachweg 3, CH-3401 Burgdorf Switzerland  
 Haws Mfg Pte Ltd 74 Sungai Kadut Loop Singapore 729531  
 e-mail: Haws@hawsco.com website: www.hawsco.com

FOR NO.:	ECN: 4182	REV:	7601.10.2	10 GAL. EYE/FACE WASH
DATE:	11/96	BY:		
APPROVED:		SCALE:	1/8"	DRAWING TYPE: INSTALLATION/FABRICK
MODEL(S):		INFO FAX DOC #:	27601102	
				SIZE: A SH: 1 OF 1
				00007080060.D
				12730A00
				9