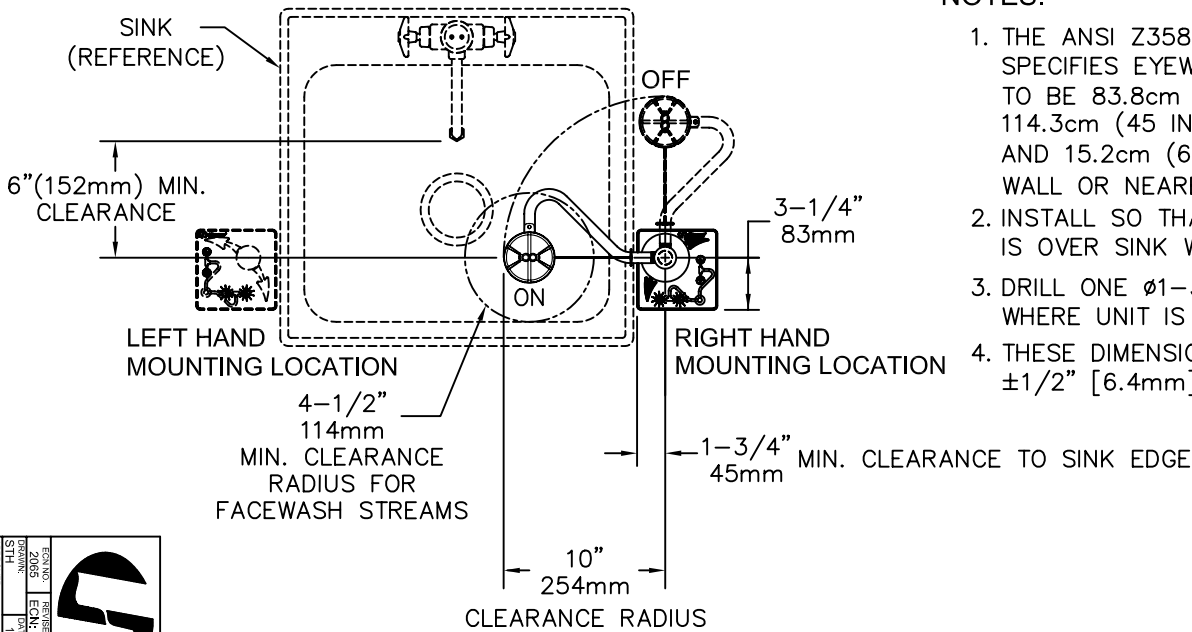
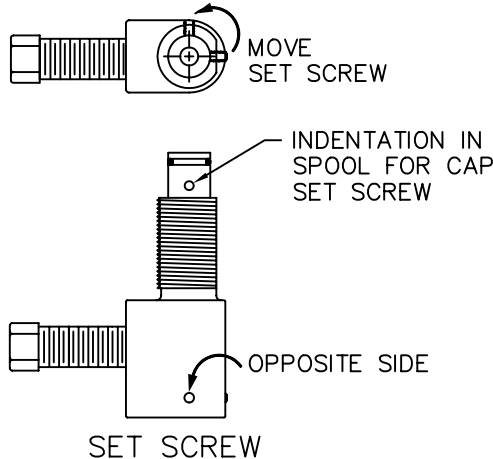


**NOTES:**

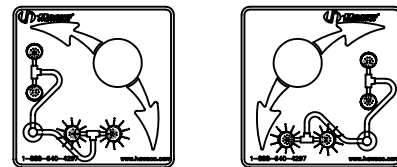
1. THE ANSI Z358.1-2009 STANDARD SPECIFIES EYEWASH NOZZLE HEIGHTS TO BE 83.8cm (33 IN.) TO 114.3cm (45 IN.) ABOVE THE FLOOR AND 15.2cm (6 IN.) MINIMUM FROM WALL OR NEAREST OBSTRUCTION.
2. INSTALL SO THAT EYEWASH HEAD IS OVER SINK WHEN ACTIVATED.
3. DRILL ONE  $\phi 1-3/8$ " [35mm] HOLE WHERE UNIT IS TO BE INSTALLED.
4. THESE DIMENSIONS MAY VARY  $\pm 1/2$ " [6.4mm].



**LEFT HAND APPLICATION**

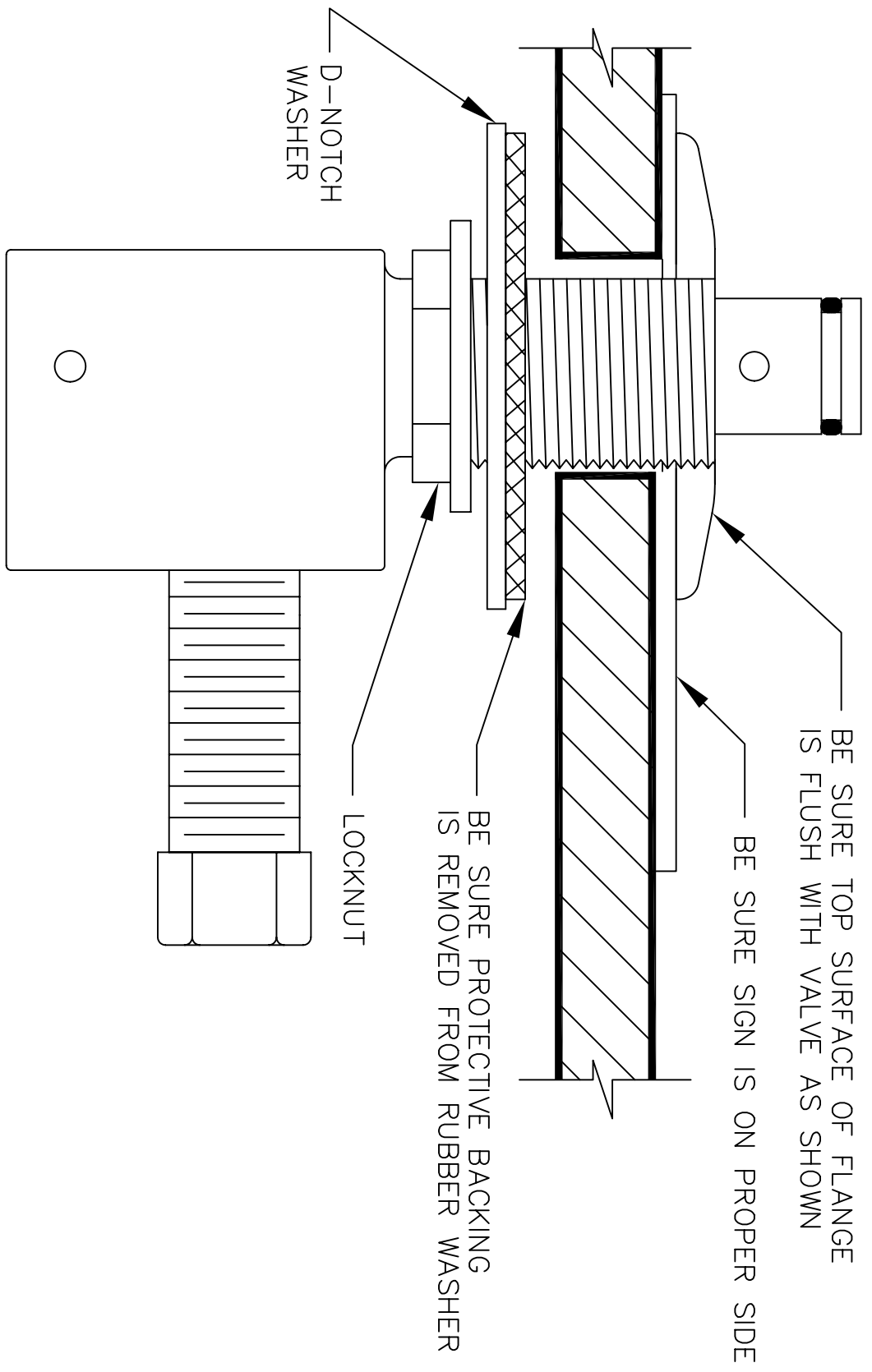


**FLIP OVER**

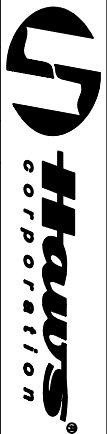


**SIGN**

<b>Haws Corporation</b>	
MODEL(S): 7611 DECK MTD SWING AWAY EM	1455 KLEPPE LANE SPARKS, NEVADA 89431 (775) 359-4712 FAX (775) 359-7424 E-MAIL: HAWS@HAWS.CO.COM WEBSITE: WWW.HAWS.CO.COM
DATE: 10-98 APPROVER: SLH	DATE: 10-98 EGN: 4897 HR DATE: 10-98 APPROVER: SLH
INEQ FAX DOC #: 27611 DRAWING TYPE: INSTALLATION/PACKAGE	PART NUMBER: 002000063 D QTY: 6 SIZE: A SHEET: 1 OF 2



©2009 Haws Corporation - All Rights Reserved HAWS® and other trademarks used in these materials are the exclusive property of Haws Corporation.



1455 KLEPPE LANE  
SPARKS, NEVADA 89431  
(775) 359-4712 FAX (775) 359-7424  
E-MAIL: HAWS@HAWS.CO.COM  
WEBSITE: WWW.HAWS.CO.COM

REVISED DATE	REVISED BY	MODEL(S)	PART NUMBER
10/96	STH	7611 DECK MTD SWING AWAY E/W	0002080063.D
DATE	APPROVED	INFO FAX DOC #	SIZE A
10/96	STH	27611	12621A00
		SCALE: 1:2	SHEET 2 OF 2
		EXAMINER: STH	REV: 6
		INSTALLATION/BACK	