



INSTALLATION, OPERATION & MAINTENANCE INSTRUCTIONS

1455 Kleppe Lane ♦ Sparks, NV 89431-6467 ♦ (775) 359-4712 ♦ Fax (775) 359-7424
E-mail: haws@hawsco.com ♦ website: www.hawsco.com

No. 2080105 (10)

Model 8100 Drench Shower

NOTE TO INSTALLER: Please leave this information with the Maintenance Department.

LIMITED WARRANTY

HAWS® warrants that all of its products are guaranteed against defective material or poor workmanship for a period of **one year from date of shipment**. HAWS liability under this warranty shall be discharged by furnishing without charge F.O.B. HAWS Factory any goods, or part thereof, which shall appear to the Company upon inspection to be of defective material or not of first class workmanship, provided that claim is made in writing to company within a reasonable period after receipt of the product. Where claims for defects are made, the defective part or parts shall be delivered to the Company, prepaid, for inspection. HAWS will not be liable for the cost of repairs, alterations or replacements, or for any expense connected therewith made by the owner or his agents, except upon written authority from HAWS, Sparks, Nevada. HAWS will not be liable for any damages caused by defective materials or poor workmanship, except for replacements, as provided above. Buyer agrees that Haws has made no other warranties either expressed or implied in addition to those above stated, except that of title with respect to any of the products or equipment sold hereunder and that HAWS shall not be liable for general, special, or consequential damages claimed to arise under the contract of sale.

The emergency equipment manufactured by HAWS is warranted to function if installation and maintenance instructions provided are adhered to. The units also must be used for the purpose, which they were intended. This product is intended to supplement first-aid treatment. Due to widely varying conditions HAWS cannot guarantee that the use of this emergency equipment will prevent serious injury or the aggravation of existing or prior injuries.

NO OTHER WARRANTIES EXPRESSED OR IMPLIED ARE AUTHORIZED, PROVIDED OR GIVEN BY HAWS.

SHOULD YOU EXPERIENCE DIFFICULTY WITH THE INSTALLATION OF THIS MODEL, PLEASE CALL:

1-800-766-5612

FOR PARTS CALL:

1-800-758-9378

**(U.S.A. AND CANADA ONLY) MONDAY-THURSDAY: 6:00 A.M. – 4:00 P.M. PST
FRIDAY: 6:00 A.M – 1:00 P.M. PST**

LOCATION OF UNIT: The Model 8100 Emergency Shower should be installed in close proximity to potential accident areas. It should be clearly identified, free from obstructions and easy to access.

SUPPLY LINE: The minimum recommended line size is 1-1/4" NPT with 30-90 psi (2-6 ATM) flowing pressure. Where sediment or mineral content is a problem, an inlet filter is recommended.

PLUMBING CONNECTIONS: Inlet supply connection is female 1-1/4" NPT.

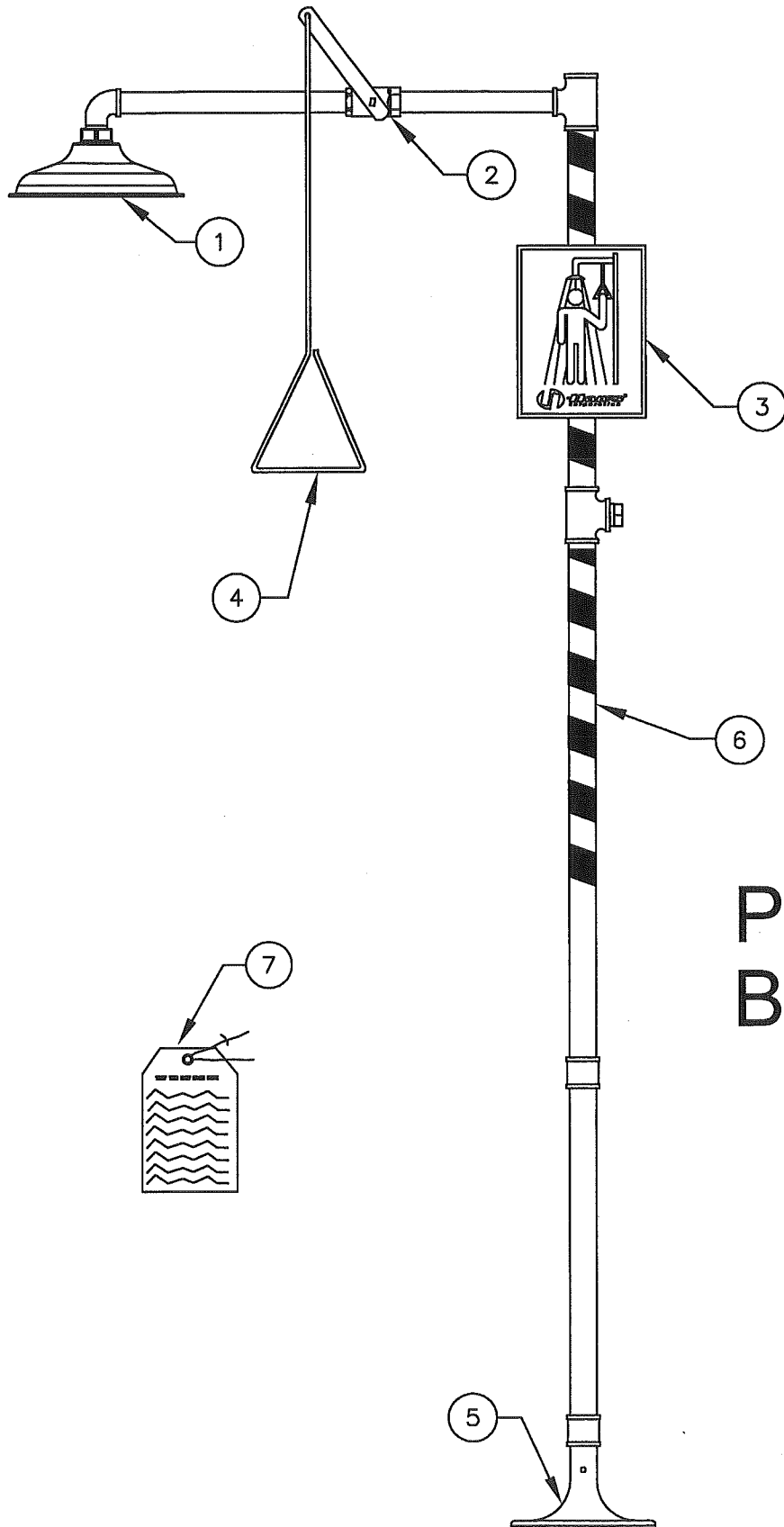
INSTALLATION PROCEDURE

Refer to Installation Drawing for clarification. Check parts list to insure all required parts are included. Use pipe joint sealant PST #565 (Loctite) on all connections.

- STEP 1:** Prepare the emergency shower foundation by using the floor flange assembly as a template. Locate the three holes for the 3/8-16 UNC x 6" anchor bolts (not supplied). They should extend 1" above the floor level.
- STEP 2:** Once the concrete foundation is ready (dry), assemble the floor flange assembly to the anchor bolts; then securely fasten with 3/8-16 UNC Hex Nuts and 3/8" washers (not supplied). Seal and tighten floor flange and coupling making certain the foot control holes are facing side to side.
- STEP 3:** Assemble nipple (1-1/4" x 33") to the floor flange assembly and tighten with a pipe wrench.
- STEP 4:** Assemble in the following order:
Attach intermediate coupling to nipple (1-1/4" x 33")
Attach plugged nipple (1-1/4" x 24") and tee (1-1/4") onto the coupling.
Attach nipple (1-1/4" x 24") onto the tee.
Attach tee (1-1/4" x 1-1/4" x 1") onto nipple.
Attach nipple (1" x 9") valve assembly onto tee (1-1/4" x 1-1/4" x 1")
Assemble the street elbow (1") onto nipple (1" x 12-1/2").
Attach nipple onto valve.
- STEP 5:** Attach the showerhead onto street elbow (1").
- STEP 6:** Assemble the sign onto the unit. Use the strap, screws, washers and nuts provided to mount the sign onto the upright. The sign should be positioned for maximum visibility
- STEP 7:** Insert the galvanized plug into the optional supply line tee that is not used. Before connecting the supply water line to the emergency shower, **FLUSH THE LINE THOROUGHLY.**

TROUBLESHOOTING	
PROBLEM	REPAIR CHECKLIST
1. No flow.	1. Check the main shut-off valve.
2. Water leak between joints or fittings.	2. Tighten loose connections. If leak persists, the application of hot water will sometimes reseal improperly applied joint compound. After 30 minutes wait and retest, a persistent leak will necessitate reassembly and additional sealant.
3. Insufficient water flow at shower.	3. a. Verify minimum 30 psi (2 ATM) flowing supply line pressure. b. Probable clogging of flow control inside shower head. Unscrew shower head off of elbow and clean rubber flow control.
4. Water does not drain properly.	4. Check your drain system for debris. Check the main waste line of your building to see if it does handle the capacity required for the entire drainage system.

ITEM	DESCRIPTION
1	SP829 SHOWER HEAD
2	SP260 VALVE ASSEMBLY
3	SP177 SHOWER SIGN
4	SP200 PULL ROD
5	SP75 FLOOR FLANGE
6	SP185 STRIPED POLE TAPE
7	SP170 TEST TAG
8	-



PARTS BREAKDOWN

WHEN ORDERING PARTS PLEASE SPECIFY YOUR MODEL NUMBER



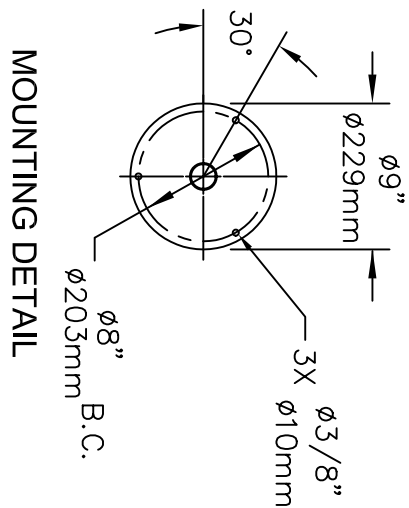
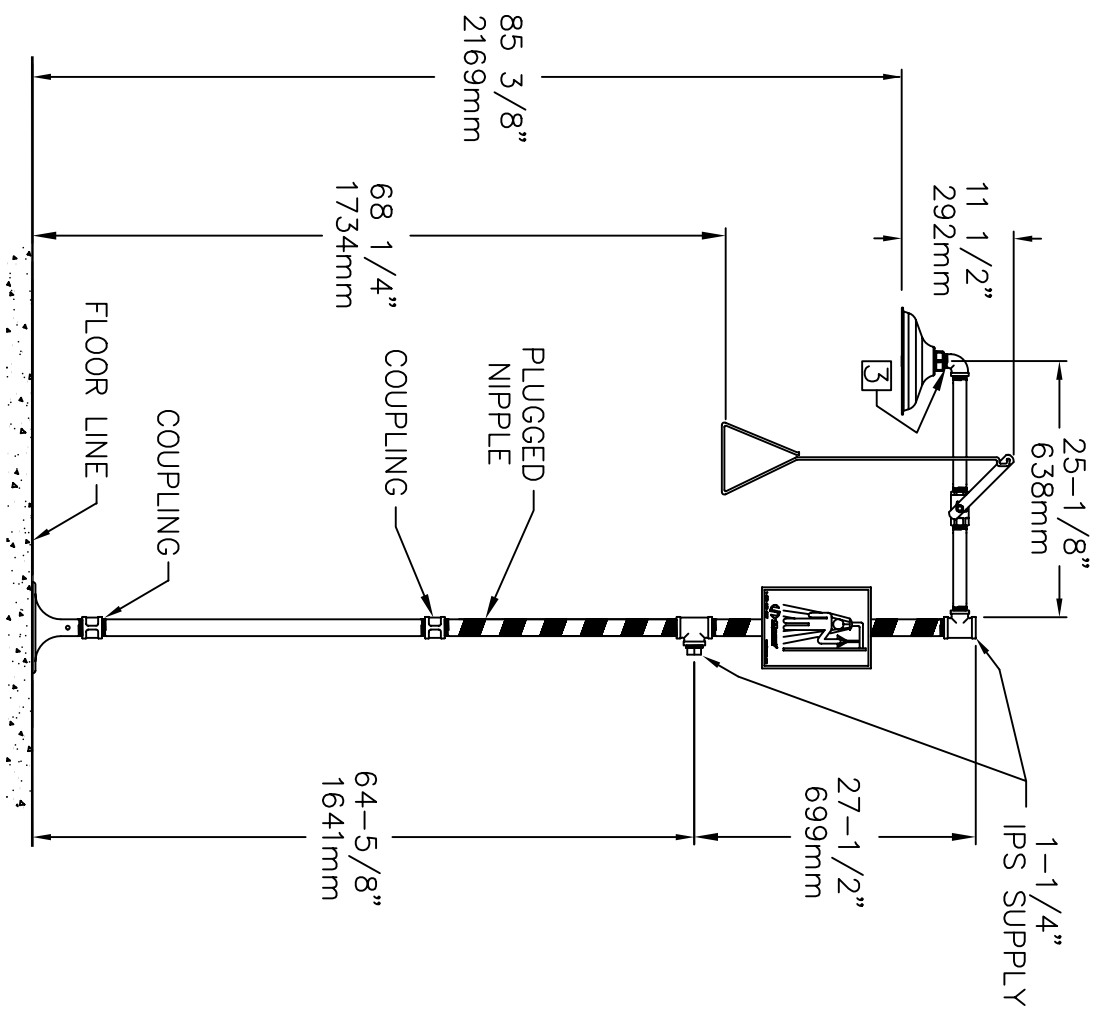
Haws
corporation

1455 KLEPPE LANE
SPARKS, NEVADA 89431
(775) 359-4712 FAX (775) 359-7424
E-MAIL: HAWS@HAWS.CO.COM
WEBSITE: WWW.HAWS.CO.COM

DRAWN BY: CLF	DATE: 03/08/93	CHECK BY: <i>[Signature]</i>	APPROV BY: <i>[Signature]</i>	SCALE: 8
TITLE: 8100 DRENCH SHOWER			PART NUMBER: 0002080105	
DRAWING TYPE: PARTS BREAKDOWN			DRAWING NUMBER: 11471C00	
				REV. 10

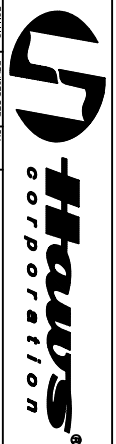
REV	DESCRIPTION	ECN	DATE	BY/APVD
10	UPDATED PER ECN	4267	5/12/09	IR

REVISIONS



NOTES:

1. DIMENSIONS MAY VARY BY ± 1/2 INCH (13mm).
2. TO COMPLY WITH ANSI Z368.1-2004 FOR EMERGENCY SHOWER EQUIPMENT:
 - UNIT SHALL BE INSTALLED IN ACCORDANCE WITH MANUFACTURER'S INSTRUCTIONS AND ACCEPTABLE PLUMBING PRACTICES.
 - SHOWER SHALL BE POSITIONED SO THAT SHOWER HEAD IS NOT LESS THAN 208.3 CM (82 IN.) NOR MORE THAN 243.8 CM (96 IN.) FROM SURFACE ON WHICH USER STANDS.
 - SHOWER SPRAY PATTERN SHALL HAVE A MINIMUM DIAMETER OF 50.8 CM (20 IN.) AT 152.4 CM (60 IN.) ABOVE SURFACE ON WHICH USER STANDS, AND CENTER OF SPRAY PATTERN SHALL BE LOCATED AT LEAST 40.6 CM (16 IN.) FROM ANY OBSTRUCTION.
3. DO NOT USE REGULAR PIPE SEALANT. IF NECESSARY USE DOW CORNING 832 SEALANT PLACING 5 SMALL BEADS ON THE MALE THREADS, JUST ABOVE THE FIRST THREAD.



1453 KLEPPE LANE
 SPARKS, NEVADA 89431
 (775) 359-4712 FAX (775) 359-7424
 E-MAIL: HAWS@HAWS.CO.COM
 WEBSITE: WWW.HAWS.CO.COM

EXTR. NO.:	DATE:	APPROVER:	MODELS:	8100 DRENCH SHOWER	INFO FAX DOC #:	28100
ECN: 4267	08/91		8100 DRENCH SHOWER			
DATE:	DATE:	DATE:	INSTALLATION/EXHIBIT:			
0002080105 D	09458A00	110				