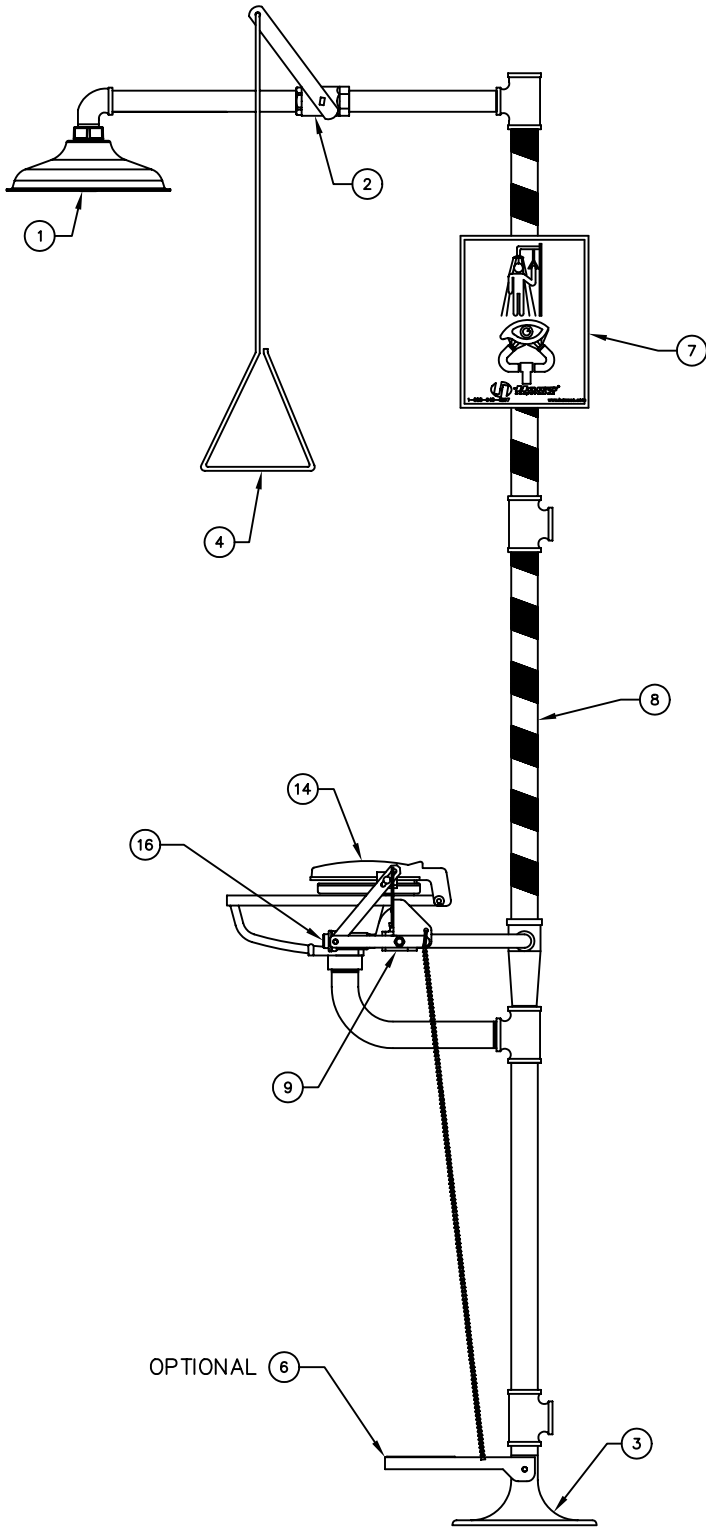
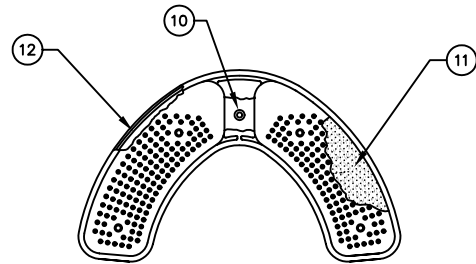
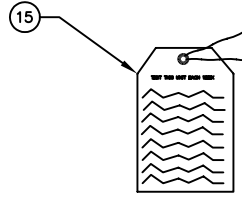


PARTS BREAKDOWN

ITEM	DESCRIPTION
1	SP829 SHOWER HEAD
2	SP260 VALVE ASSEMBLY
3	SP75 FLOOR FLANGE
4	SP200 PULL ROD
5	-
6	SP220 FOOT TREADLE
7	SP178 SHOWER SIGN
8	SP185 STRIPE TAPE
9	SP225 VALVE ASSEMBLY
10	SP42 FLOW CONTROL & WASH.
11	FOAM EYEWASH FILTERS
12	O-RING
13	-
14	9090 EYEWASH COVER
15	SP170 TEST TAG
16	SP507 L-STRAINER
--	VRKEWSTR STR. REPAIR KIT
--	SP70 EYEWASH ASSEMBLY



OPTIONAL




SP70 EYEWASH ASSEMBLY

OPTIONAL

REV	DESCRIPTION	ECN	DATE	BY/APVD
16	UPDATED PER ECN	4267	5/12/09	IR
REVISIONS				

WHEN ORDERING PARTS PLEASE SPECIFY YOUR MODEL NUMBER

		1455 KLEPPE LANE SPARKS, NEVADA 89431 (775) 359-4712 FAX (775) 359-7424 E-MAIL: HAWS@HAWS.CO.COM WEBSITE: WWW.HAWS.CO.COM			
		DRAWN BY: CLF	DATE: 03/10/93	CHECK BY:	APPVD BY:
TITLE: 8200/8200CRP COMBINATION SHOWER			PART NUMBER: 0002080149		
DRAWING TYPE: PARTS BREAKDOWN			DRAWING NUMBER: 11486C00	REV: 16	