



# INSTALLATION, OPERATION & MAINTENANCE INSTRUCTIONS

1455 Kleppe Lane ♦ Sparks, NV 89431-6467 ♦ (775) 359-4712 ♦ Fax (775) 359-7424  
HAWS AG ♦ Bachweg 3 ♦ CH-3401 Burgdorf ♦ Switzerland  
Haws Mfg. Pte Lt. ♦ 2A Sungei Kadet Drive ♦ Singapore 729554  
Avlis-Avenida Senador, Testonio Vilela ♦ 505 Jardim Aeroporto ♦ Itu, S.P. 13304-550 ♦ Brasil  
E-mail: [haws@hawsco.com](mailto:haws@hawsco.com) ♦ website: [www.hawsco.com](http://www.hawsco.com)

No. 2080163 (11)

## Model 8300FP Freeze Resistant Combination Shower Eye/Face Wash

**NOTE TO INSTALLER: Please leave this information with the Maintenance Department.**

### LIMITED WARRANTY

HAWS® warrants that all of its products are guaranteed against defective material or poor workmanship for a period of **one year from date of shipment**. HAWS liability under this warranty shall be discharged by furnishing without charge F.O.B. HAWS Factory any goods, or part thereof, which shall appear to the Company upon inspection to be of defective material or not of first class workmanship, provided that claim is made in writing to company within a reasonable period after receipt of the product. Where claims for defects are made, the defective part or parts shall be delivered to the Company, prepaid, for inspection. HAWS will not be liable for the cost of repairs, alterations or replacements, or for any expense connected therewith made by the owner or his agents, except upon written authority from HAWS, Sparks, Nevada. HAWS will not be liable for any damages caused by defective materials or poor workmanship, except for replacements, as provided above. Buyer agrees that Haws has made no other warranties either expressed or implied in addition to those above stated, except that of title with respect to any of the products or equipment sold hereunder and that HAWS shall not be liable for general, special, or consequential damages claimed to arise under the contract of sale.

The emergency equipment manufactured by HAWS is warranted to function if installation and maintenance instructions provided are adhered to. The units also must be used for the purpose, which they were intended. This product is intended to supplement first-aid treatment. Due to widely varying conditions HAWS cannot guarantee that the use of this emergency equipment will prevent serious injury or the aggravation of existing or prior injuries.

**NO OTHER WARRANTIES EXPRESSED OR IMPLIED ARE AUTHORIZED, PROVIDED OR GIVEN BY HAWS.**

**SHOULD YOU EXPERIENCE DIFFICULTY WITH THE INSTALLATION OF THIS MODEL, PLEASE CALL:**

**1-800-766-5612**

**FOR PARTS CALL:**

**1-800-758-9378**

**(U.S.A. AND CANADA ONLY) MONDAY-THURSDAY: 6:00 A.M. – 4:00 P.M. PST  
FRIDAY: 6:00 A.M. – 1:00 P.M. PST**

**LOCATION OF UNIT:** The Model 8300FP Freeze Resistant Shower/Eyewash should be installed in close proximity to potential accident areas. It should be clearly identified, free from obstructions and easy to access.

**SUPPLY LINE:** The minimum recommended line size is 1-1/4" IPS with 30-90 psi (2-6 ATM) flowing pressure. Where sediment or mineral content is a problem, an inlet filter is recommended.

**PLUMBING CONNECTIONS:** The main inlet supply connections are 1-1/4" male IPS for shower and 3/4" female IPS for eyewash. Waste outlet is 1-1/4" female IPS.

## INSTALLATION PROCEDURE

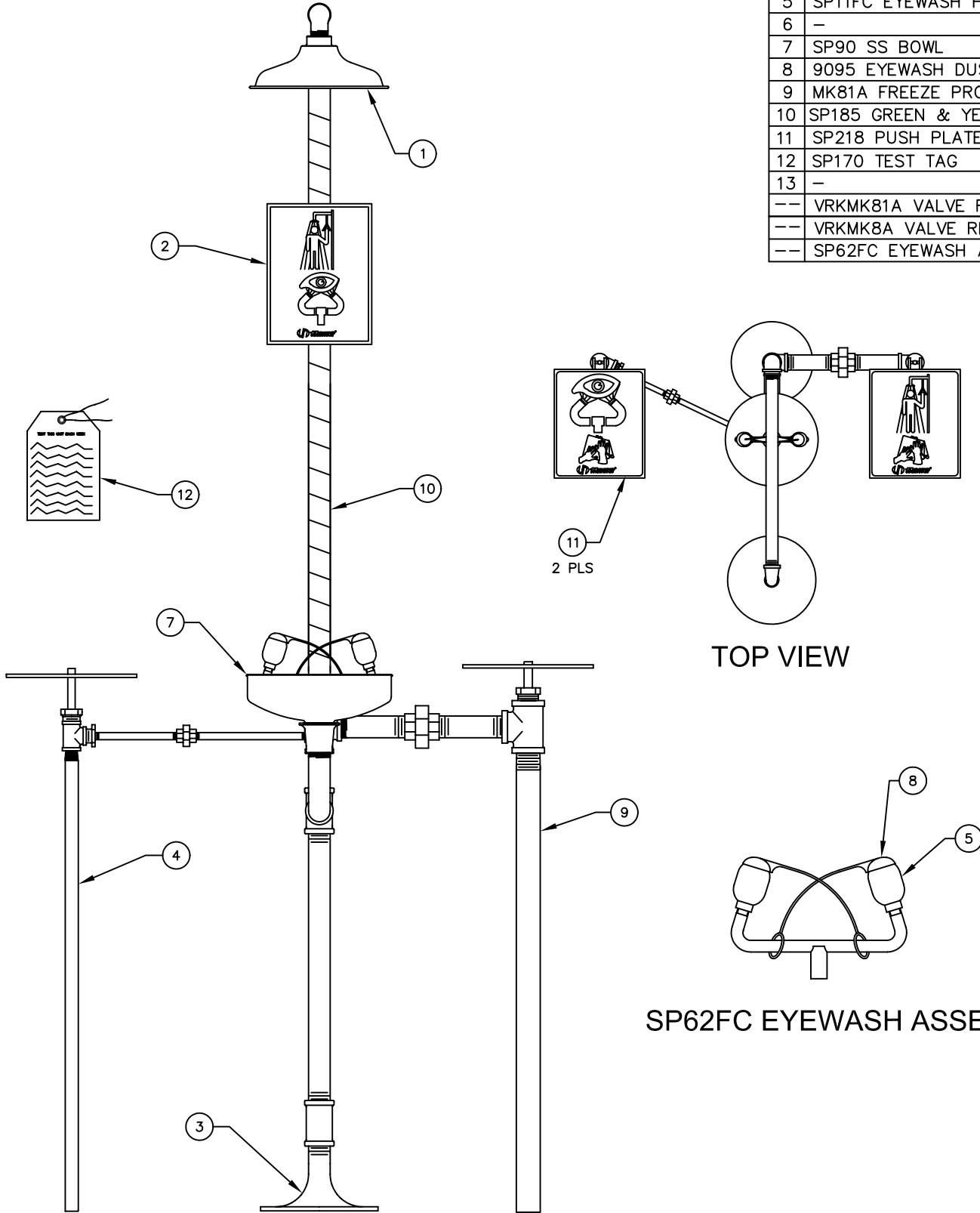
Refer to Installation Drawing for clarification. Check parts list to insure all required parts are included. Use pipe joint sealant PST #565 (Loctite) on all connections.

- STEP 1:** Install the 1-1/4" and 3/4" supply line below the frost line. Provide porous fill with a minimum size of 5 cubic feet for the supply line drain back.
- STEP 2:** Install the MK8A and MK81A freeze proof valves in their proper location (See Installation Drawing). For proper operation, valves must be installed in a vertical position. Valves must not be bowed or bent as this may result in binding and improper function. Turn the water on and test for proper operation before burying the valves.
- STEP 3:** Prepare the emergency shower foundation by using the floor flange as a template. Locate the three holes for the 3/8-16 UNC x 6" anchor bolts (not supplied). Anchor bolts should extend 1" above the floor level.
- STEP 4:** Once the concrete foundation is ready (dry), assemble the floor flange to the anchor bolts; and then securely fasten with 3/8-16 UNC Hex Nuts and 3/8" washers, (Not supplied). Seal and tighten tee (1-1/4" tee to floor flange making certain the 1-1/4" tee is facing the proper location.
- STEP 5:** Assemble (1-1/4" x 21-1/2") nipple to the (1-1/4") tee and tighten with a pipe wrench.
- STEP 6:** Assemble the eyewash assembly to the waste bend, then assemble the 1-1/4" tee and the 1-1/4" x 4" plugged nipple with the plugged side on top, then attach the other 1-1/4" tee to the 1-1/4" x 4" plugged nipple. Attach this assembly to nipple (1-1/4" x 21-1/2") nipple.
- STEP 7:** Assemble in the following order:  
Attach nipple (1-1/4" x 52-1/2") onto the eyewash assembly.  
Attach elbow (1-1/4" x 1") onto nipple.  
Attach nipple (1x 24-5/8") onto elbow.  
Attach street elbow (1") onto nipple.  
Attach nipple (1-1/4" x 6") onto tee (1-1/4").  
Attach union (1-1/4") onto nipple (1-1/4" x 6").  
Attach nipple (1-1/4" x 6") onto the outlet of MK81A Valve, then connect both nipples (1/4" x 9") with the (1/4") union.  
Attach nipple (1/4" x 9") onto the eyewash assembly.  
Attach union (1/4") onto nipple (1/4" x 9).  
Attach nipple (1/4" x 9") onto the outlet of MK8A Valve (use the reducer bushing), then connect both nipples (1/4" x 9") with the (1/4") union.
- STEP 8:** Assemble the sign onto the unit. Use the strap, screws, washers and nuts provided to mount the sign onto the upright. The sign should be positioned for maximum visibility.
- STEP 9:** Attach the showerhead. Water test and make the final check up.

<b>TROUBLESHOOTING</b>	
<b>PROBLEM</b>	<b>REPAIR CHECKLIST</b>
1. No flow.	1. Check the main shut-off valve.
2. Water leak between joints or fittings.	2. Tighten loose connections. If leak persists, the application of hot water will sometimes reseal improperly applied joint compound. After 30 minutes wait and retest, a persistent leak will necessitate reassembly and additional sealant.
3. Insufficient water flow, shower and eyewash.	3. Verify minimum 30 psi (2 ATM) flowing supply line pressure.
4. Water does not drain properly.	4. Check your drain system for debris. Check the main waste line of your building to see if it does handle the capacity required for the entire drainage system.
5. Insufficient water flow on eyewash, however, shower is sufficient.	5. Probable clogging of flow control due to inadequate line flushing. Unscrew eyewash heads to gain access and clean rubber flow controls.
6. Eyewash stream does not meet at desired eye level.	6. Possible blocked flow control, see above solution. Possible non-leveled eyewash assembly. Eyewash nozzles should be at equal heights.
7. Water flows through check valve while valve is open.	7. Insure that push plate is fully depressed.
8. Water seeping at the shower or eyewash.	8. Shut off the water; remove the inner stem assembly and plunger. Check for damaged seat or 'O' rings, then flush thoroughly. If problem persists order the VRKMK81A for the shower or the VRKMK8A for the eyewash.
9. Insufficient water flow at the showerhead, however, eyewash is sufficient.	9. Probable clogging of flow control inside showerhead. Unscrew showerhead off of elbow and clean rubber flow control.

# PARTS BREAKDOWN

ITEM	DESCRIPTION
1	8129FC SHOWER HEAD
2	SP178 SHOWER SIGN
3	SP75 FLOOR FLANGE
4	MK8A FREEZE PROOF VALVE
5	SP11FC EYEWASH HEADS
6	-
7	SP90 SS BOWL
8	9095 EYEWASH DUST COVERS
9	MK81A FREEZE PROOF VALVE
10	SP185 GREEN & YELLOW LABEL
11	SP218 PUSH PLATE W/ LABELS
12	SP170 TEST TAG
13	-
--	VRKMK81A VALVE REPAIR KIT
--	VRKMK8A VALVE REPAIR KIT
--	SP62FC EYEWASH ASSEMBLY



TOP VIEW

SP62FC EYEWASH ASSEMBLY

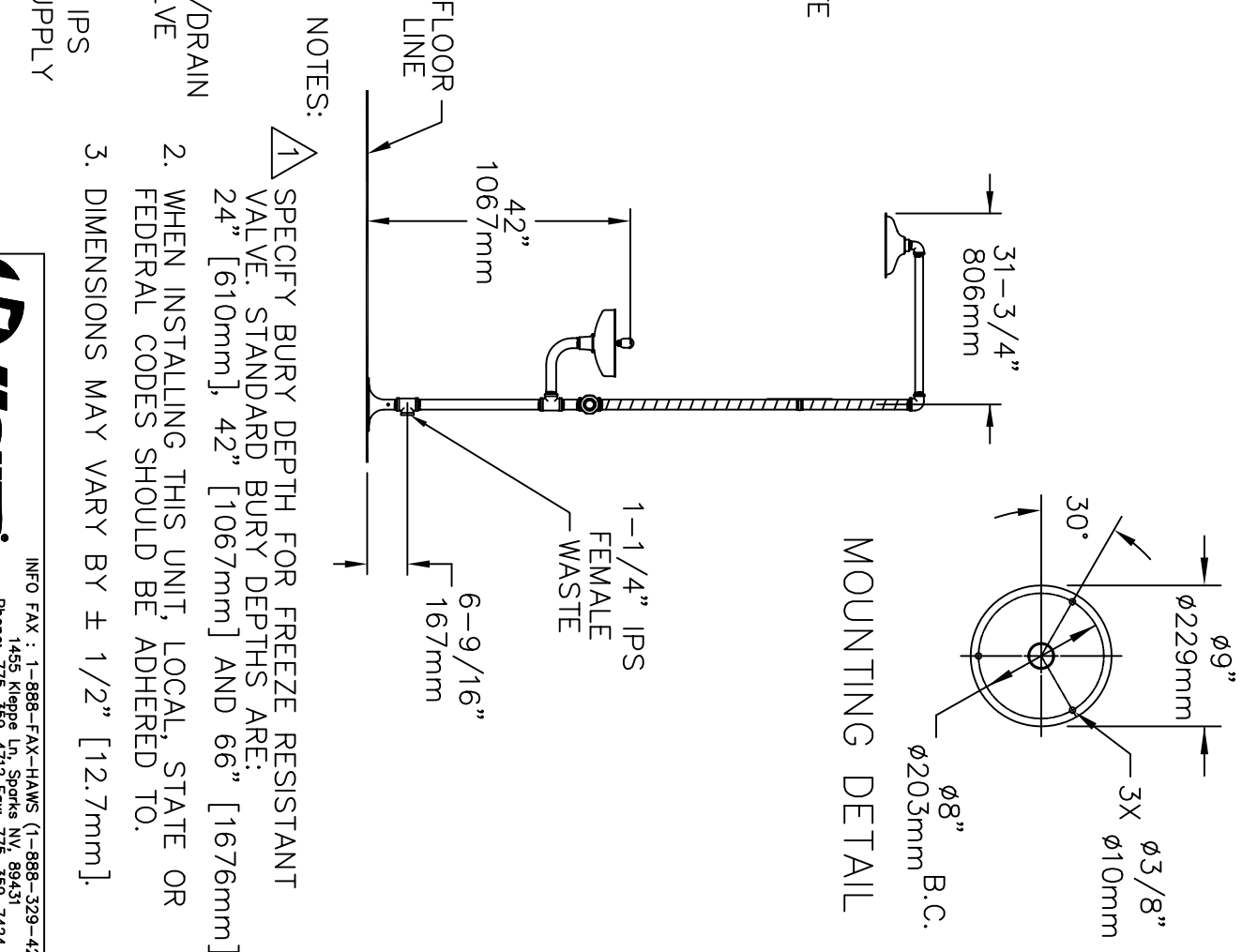
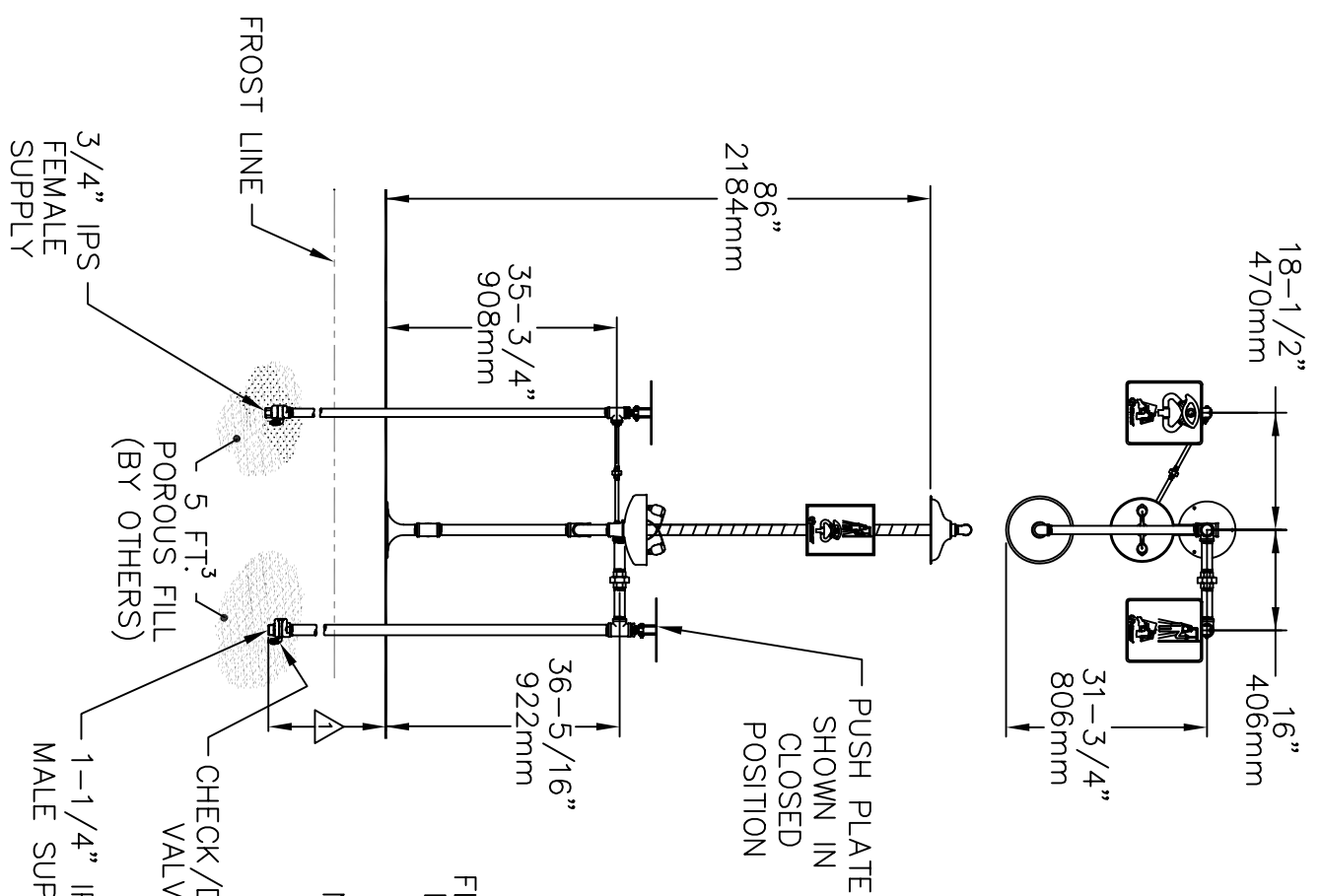
**WHEN ORDERING  
PARTS PLEASE  
SPECIFY YOUR  
MODEL NUMBER**



**Haws**  
corporation

1455 KLEPPE LANE | BACHWEG 3  
SPARKS, NEVADA | CH3401 BURGDORF  
SWITZERLAND

DRAWN BY: CLF	DATE: 03/10/93	CHECK BY:	APP'D BY:	SCALE: 1/8
TITLE: 8300FP			PART NUMBER: 0002080163	
DRAWING TYPE: PARTS BREAKDOWN			DRAWING NUMBER: 11491C00	REV: 11



NOTES:

1. SPECIFY BURY DEPTH FOR FREEZE RESISTANT VALVE. STANDARD BURY DEPTHS ARE: 24" [610mm], 42" [1067mm] AND 66" [1676mm].
2. WHEN INSTALLING THIS UNIT, LOCAL, STATE OR FEDERAL CODES SHOULD BE ADHERED TO.
3. DIMENSIONS MAY VARY BY ± 1/2" [12.7mm].

**Haws Corporation**

INFO FAX : 1-888-FAX-HAWS (1-888-329-4297)

1455 Kiappa Ln, Sparks NV, 89431  
 Phone: 775-359-4712 Fax: 775-359-7424  
 Haws Ag Buchweg 3 CH-3401 Burgdorf Switzerland  
 Haws King Pte Ltd 74 Sungai Kodut Loop Singapore 729531  
 e-MAIL: Haws@hawsco.com Website: www.hawsco.com

DESIGNER: EONE 3494	DATE: 06/91	SCALE: 1:50	MODEL(S): 8300FP	INSTALLATION/FAKBACK
CHECKED: EONE 3494	DATE: 06/91	SCALE: 1:50	INFO FAX DOC #: 2830037	
APPROVED: EONE 3494	DATE: 06/91	SCALE: 1:50	MODEL(S): 8300FP	SHOWER EYEWASH COMBO
SIZE: A	SHEET: 1 OF 1	DATE: 06/91	NO: 09530A00	REV: 1