



INSTALLATION, OPERATION & MAINTENANCE INSTRUCTIONS

1455 Kleppe Lane ♦ Sparks, NV 89431-6467 ♦ (775) 359-4712 ♦ Fax (775) 359-7424
E-mail: haws@hawsco.com ♦ website: www.hawsco.com

No. 2080174(19)

Model 8330 Stainless Steel Combination Shower Eye/Face Wash

NOTE TO INSTALLER: Please leave this information with the Maintenance Department.

LIMITED WARRANTY

HAWS® warrants that all of its products are guaranteed against defective material or poor workmanship for a period of **one year from date of shipment**. HAWS liability under this warranty shall be discharged by furnishing without charge F.O.B. HAWS Factory any goods, or part thereof, which shall appear to the Company upon inspection to be of defective material or not of first class workmanship, provided that claim is made in writing to company within a reasonable period after receipt of the product. Where claims for defects are made, the defective part or parts shall be delivered to the Company, prepaid, for inspection. HAWS will not be liable for the cost of repairs, alterations or replacements, or for any expense connected therewith made by the owner or his agents, except upon written authority from HAWS, Sparks, Nevada. HAWS will not be liable for any damages caused by defective materials or poor workmanship, except for replacements, as provided above. Buyer agrees that Haws has made no other warranties either expressed or implied in addition to those above stated, except that of title with respect to any of the products or equipment sold hereunder and that HAWS shall not be liable for general, special, or consequential damages claimed to arise under the contract of sale.

The emergency equipment manufactured by HAWS is warranted to function if installation and maintenance instructions provided are adhered to. The units also must be used for the purpose, which they were intended. This product is intended to supplement first-aid treatment. Due to widely varying conditions HAWS cannot guarantee that the use of this emergency equipment will prevent serious injury or the aggravation of existing or prior injuries.

NO OTHER WARRANTIES EXPRESSED OR IMPLIED ARE AUTHORIZED, PROVIDED OR GIVEN BY HAWS.

SHOULD YOU EXPERIENCE DIFFICULTY WITH THE INSTALLATION OF THIS MODEL, PLEASE CALL:

1-800-766-5612

FOR PARTS CALL:

1-800-758-9378

**(U.S.A. AND CANADA ONLY) MONDAY-THURSDAY: 6:00 A.M. – 4:00 P.M. PST
FRIDAY: 6:00 A.M – 1:00 P.M. PST**

LOCATION OF UNIT: The Model 8330 Stainless Steel combination Shower Eye/Face Wash should be installed in close proximity to potential accident areas. It should be clearly identified, free from obstructions and easy to access.

SUPPLY LINE: The minimum recommended line size is 1-1/4" IPS with 30-90 psi (2-6 ATM) flowing pressure. Where sediment or mineral content is a problem, an inlet filter is recommended.

PLUMBING CONNECTIONS: Inlet supply is female 1-1/4" IPS. Waste outlet is female 1-1/4" IPS.

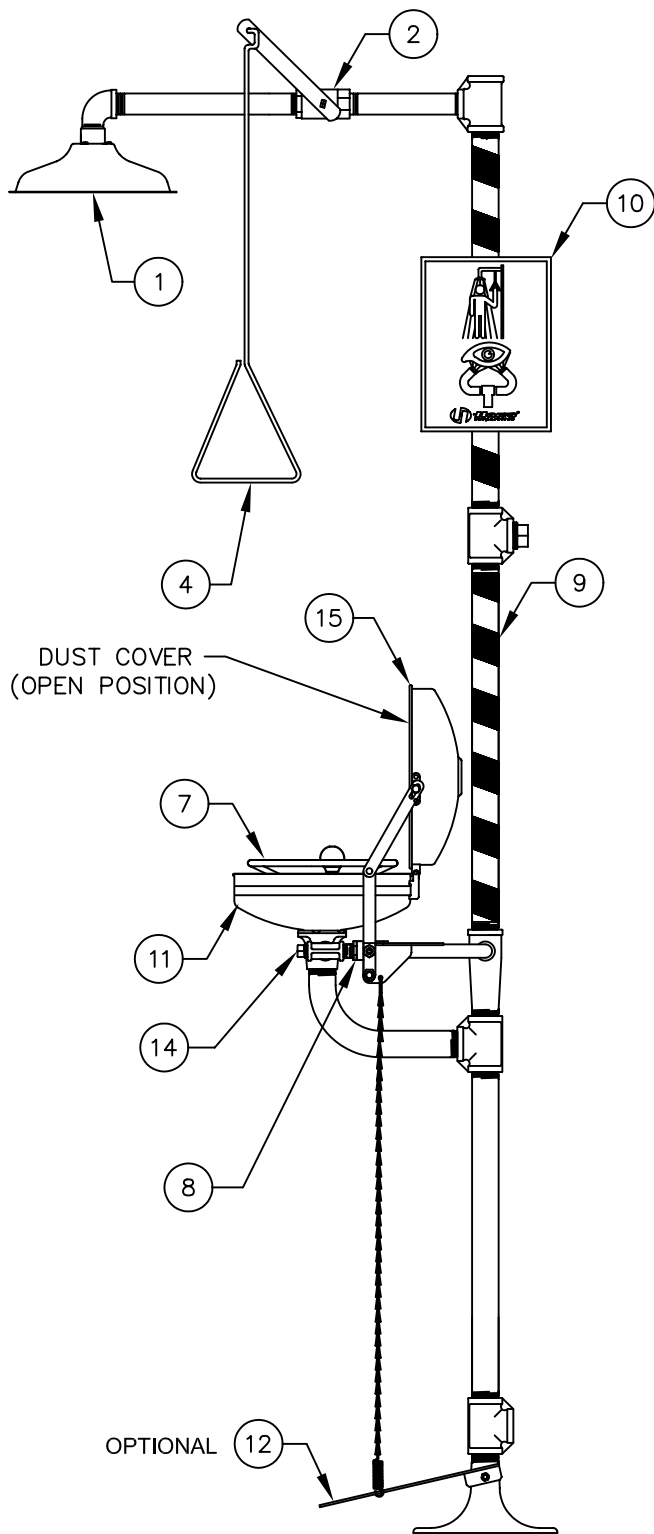
INSTALLATION PROCEDURE

Refer to Installation Drawing for clarification. Check parts list to insure all required parts are included. Use pipe joint sealant PST #565 (Loctite) on all connections.

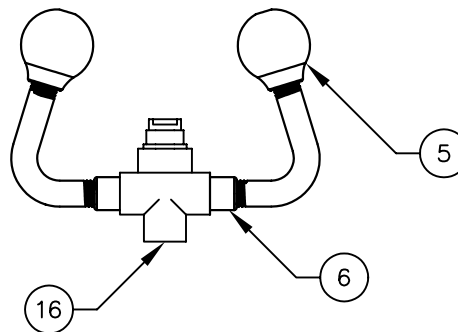
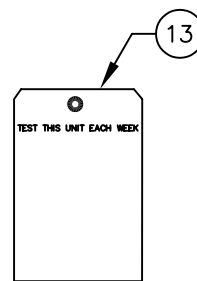
- STEP 1:** Prepare the emergency shower foundation by using the floor flange as a template. Locate the three holes for the 3/8-16 UNC x 6" anchor bolts. (Not supplied). They should extend 1" above the floor level.
- STEP 2:** Once the concrete foundation is ready (dry), assemble the floor flange to the anchor bolts; then securely fasten with 3/8-16 UNC Hex nuts and 3/8" washers (Not supplied). Seal and tighten floor flange and (1-1/4") tee making certain the waste tee is facing the proper location and the foot control holes are facing side to side.
- STEP 3:** Assemble nipple (1-1/4" x 21-1/2") to the tee and tighten with a pipe wrench.
- STEP 4:** Assemble the eyewash loop assembly to the (21-1/2") nipple from Step three. Connect the pipe wrench to the nipple between the two tees to avoid damage.
- STEP 5:** Assemble in the following order:
Attach nipple (1-1/4" x 24") onto the loop assembly.
Attach nipple (1-1/4" x 24") onto the tee.
Attach tee (1-1/4" x 1-1/4" x 1") onto nipple.
Attach nipple (1" x 8") and valve assembly onto tee.
Attach street el (1") and nipple (1" x 12-1/2") onto valve.
- STEP 6:** Assemble showerhead onto street el (1"). If necessary, use Dow Corning 832 sealant placing 5 small beads on the male threads, just above the first thread.
- STEP 7:** Assemble the sign onto the unit. Use the strap, screws, washers and nuts provided to mount the sign onto the upright. The sign should be positioned for maximum visibility.
- STEP 8:** Insert the plug into the optional supply line tee that is not used. Before connecting the supply water line to the emergency shower; **FLUSH THE LINE THOROUGHLY.**

TROUBLESHOOTING	
PROBLEM	REPAIR CHECKLIST
1. No flow.	1. Check the main shut-off valve.
2. Insufficient water flow.	2. Verify minimum 30 psi (2 ATM) flowing supply line pressure.
3. Insufficient water flow on eyewash, however, shower is sufficient.	3. a. Verify minimum 30 psi (2 ATM) flowing supply line pressure. b. Probable clogging of flow control due to inadequate line flushing. Disassemble eyewash bends to gain access and clean rubber flow controls. c. Remove plug located on L – Strainer using a 9/16" wrench to access and clean filter screen.
4. Eyewash stream does not meet desired eye level.	4. Possible blocked flow control, see above solution. Possible non-leveled eyewash assembly. Eyewash nozzles should be at equal heights.
5. Water does not drain properly.	5. Check your drain system for debris. Check the main waste line of your building to see if it does handle the capacity required for the entire drainage system.
6. Water leak between joints or fittings.	6. Tighten loose connections. If leak persists, the application of hot water will sometimes reseal improperly applied joint compound. After 30 minutes wait and retest. A persistent leak will necessitate reassembly and additional sealant.
7. Face ring flow too low.	7. Probable clogging of flow control due to inadequate line flushing. Disassemble eyewash cross to gain access and clean rubber flow controls.
8. Insufficient water flow from shower, however, eyewash is sufficient.	8. Probable clogging of flow control inside showerhead. Unscrew showerhead off of elbow and clean rubber flow control.

PARTS BREAKDOWN



OPTIONAL



SS EYEWASH ASSY.

ITEM	DESCRIPTION
1	8127FC SHOWER HEAD
2	SP265 VALVE ASSEMBLY
3	-
4	SP200 PULL ROD
5	SP18 EYEWASH HEADS
6	SP35SS FLOW CONTROL
7	SP30 SPRAY RING
8	SP228 VALVE ASSEMBLY
9	SP185 STRIPE TAPE
10	SP178 SHOWER SIGN
11	SP90 BOWL
12	SP220SS FOOT TREADLE
13	SP170 TEST TAG
14	SP509SS L-STRAINER
15	9102 DUST COVER ASSEMBLY
16	SP34SS TEE W/FLOW CONTROL

REV	DESCRIPTION	ECN	DATE	BY/APVD
19	UPDATED PER	4262	06/18/09	HM
REVISIONS				

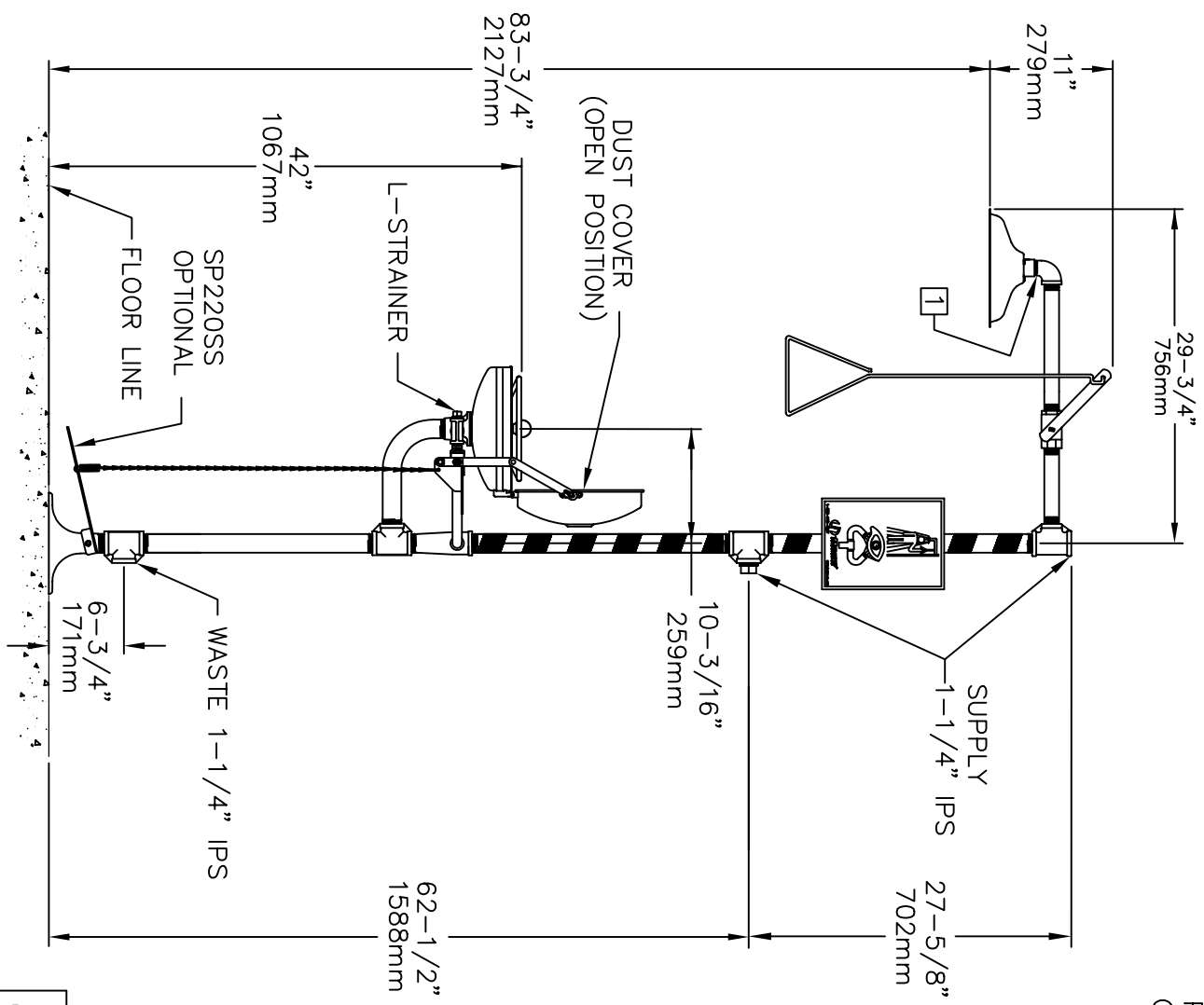
WHEN ORDERING PARTS PLEASE SPECIFY YOUR MODEL NUMBER



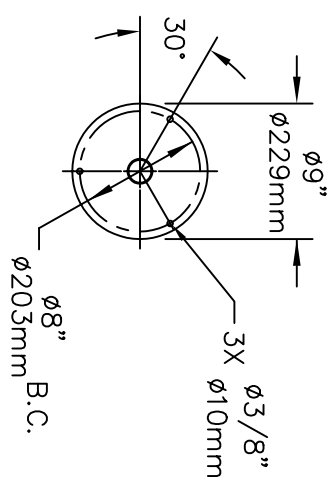
1455 KLEPPE LANE
SPARKS, NEVADA 89431
(775) 359-4712 FAX (775) 359-7424
E-MAIL: HAWS@HAWS.CO.COM
WEBSITE: WWW.HAWS.CO.COM

DRAWN BY: C.JL	DATE: 05/01	CHECK BY:	APPVD BY:	SCALE: 1:6
TITLE: 8330 SS SHOWER EYE/FACEWASH			PART NUMBER: 0002080174	
DRAWING TYPE: PARTS BREAKDOWN			DRAWING NUMBER: 11499C00	REV: 19

- NOTES:
- 1 IF NECESSARY, USE DOW CORNING 832 SEALANT PLACING 5 SMALL BEADS ON THE MALE THREADS OF MATING PART (JUST ABOVE THE FIRST THREAD).



DIMENSIONS MAY VARY ± 1/2" [12.7mm]



MOUNTING DETAIL

Haws Corporation		1455 KLEPPE LANE	
SPARKS, NEVADA 89431		(775) 359-4712 FAX (775) 359-7424	
E-MAIL: HAWS@HAWS.CO.COM		WEBSITE: WWW.HAWS.CO.COM	
ENGINEER: HAWES	DATE: 05/91	MODEL(S): 8330 SS SHOWER EYE/FACEWASH	INFO FAX DOC #: 28330
APPROVER: HAWES	DATE: 05/91	SCALE: 1:1	INSTALLATION/FABRICATION
QTY: 1	REV: 1	DATE: 05/91	BY: HAWES
0002080174.D	09468A00	19	1