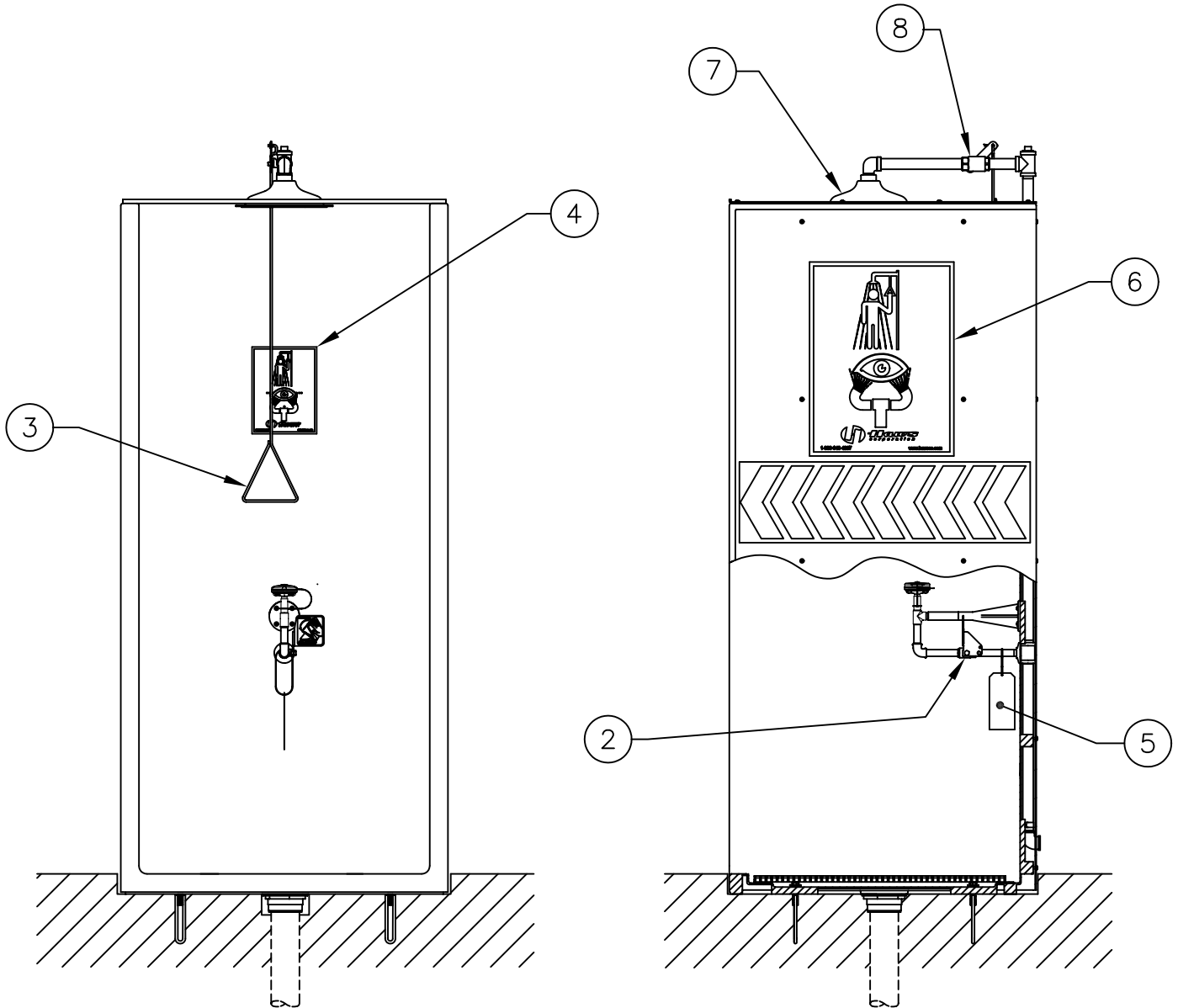


| ITEM | DESCRIPTION                  |
|------|------------------------------|
| 1    | SP65 EYE/FACE WASH ASSEMBLY  |
| 2    | SP229 VALVE ASSEMBLY         |
| 3    | SP202 PULL ROD               |
| 4    | SP178 SHOWER/EYEWASH SIGN    |
| 5    | SP170 TEST TAG               |
| 6    | SP178LG SHOWER/EYEWASH LABEL |
| 7    | SP829 SHOWER HEAD            |
| 8    | SHOWER VALVE ASSEMBLY        |

# PARTS BREAKDOWN



SP65 EYE/FACE WASH ASSEMBLY

**WHEN ORDERING  
PARTS PLEASE  
SPECIFY YOUR  
MODEL NUMBER**



**Haws**  
corporation

1455 KLEPPE LANE BACHWEG 3  
SPARKS, NEVADA CH3401 BURGDORF  
SWITZERLAND

|                                |                |           |                          |             |
|--------------------------------|----------------|-----------|--------------------------|-------------|
| DRAWN BY: RTM                  | DATE: 08/16/01 | CHECK BY: | APP'D BY:                | SCALE: 1/10 |
| TITLE: 8605WC EMERGENCY SHOWER |                |           | PART NUMBER: 0002080194  |             |
| DRAWING TYPE: PARTS BREAKDOWN  |                |           | DRAWING NUMBER: 15124C00 |             |
|                                |                |           |                          | REV: 7      |

| REV       | DESCRIPTION     | ECN  | DATE    | BY/APVD |
|-----------|-----------------|------|---------|---------|
| 7         | UPDATED PER ECN | 4267 | 5/13/09 | IR      |
| REVISIONS |                 |      |         |         |