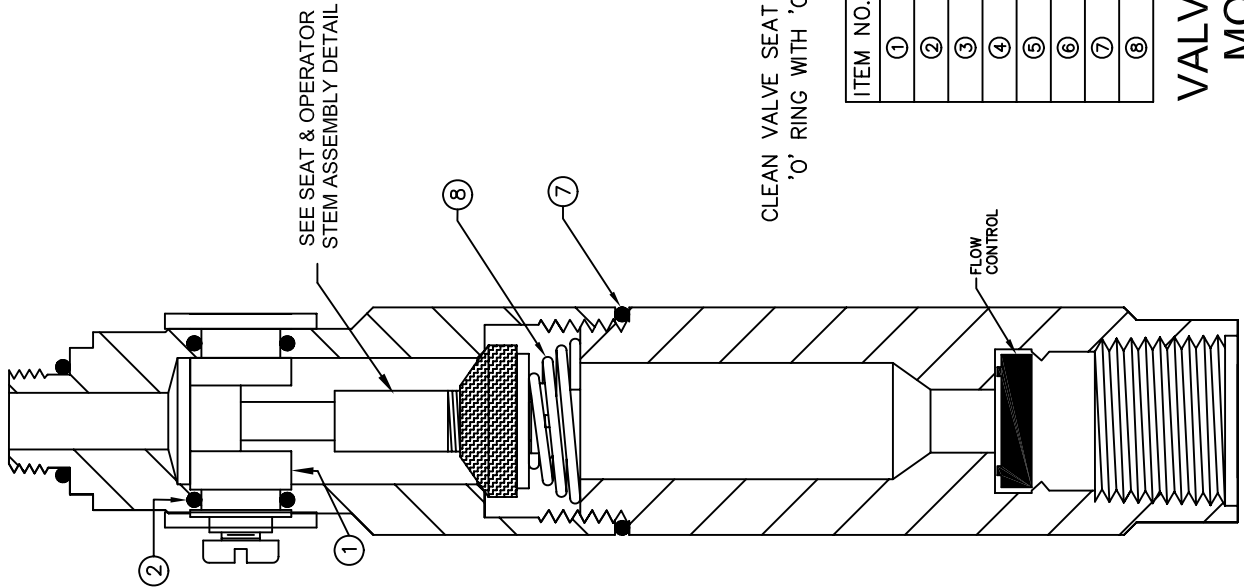
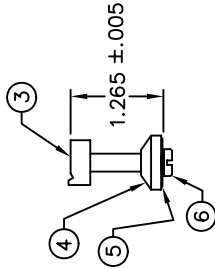


THIS DOCUMENT IS TRUE AND CORRECT AT TIME OF PUBLICATION. CONTINUED PRODUCT IMPROVEMENTS MAKE SPECIFICATIONS AND MEASUREMENTS SUBJECT TO CHANGE WITHOUT NOTICE.



SEE SEAT & OPERATOR STEM ASSEMBLY DETAIL

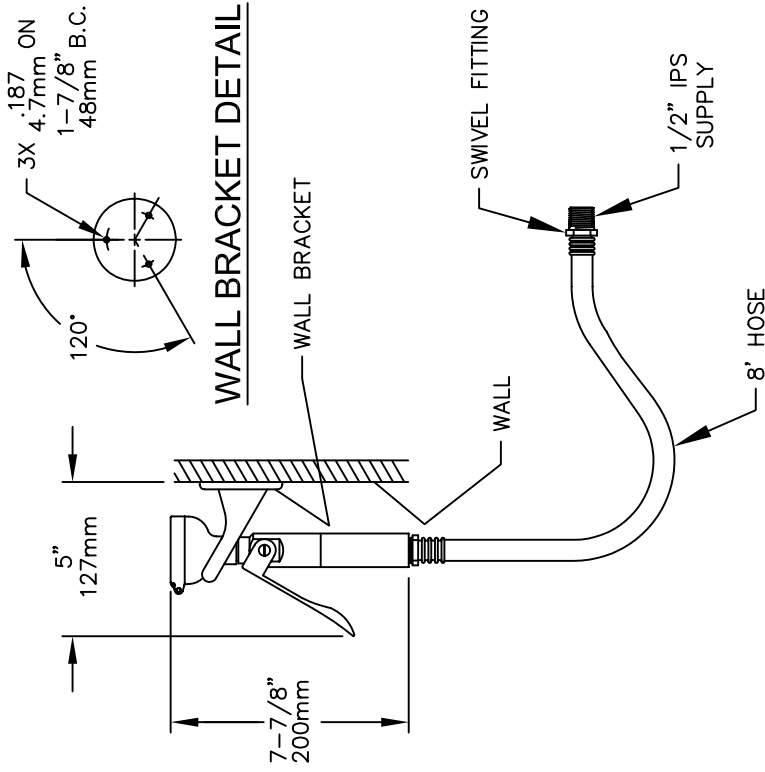


SEAT & OPERATOR STEM ASSEMBLY DETAIL

CLEAN VALVE SEAT AND WASHER THOROUGHLY, LUBRICATE 'O' RING WITH 'O' RING LUBE BEFORE REASSEMBLING.

ITEM NO.	QUANTITY	DESCRIPTION
①	1	CAM OPERATOR
②	2	'O' RING FOR CAM
③	1	OPERATOR STEM
④	1	SEAT WASHER
⑤	1	HOLDER WASHER
⑥	1	SCREW
⑦	1	'O' RING
⑧	1	SPRING

VALVE REPAIR DETAIL MODEL VRK SP248 OPTIONAL



WALL BRACKET DETAIL



INFO FAX : 1-888-FAX-HAWS (1-888-329-4297)
1455 Kleppe Ln, Sparks NV, 89431
Phone: 775-359-4712 Fax: 775-359-7424
Haws Ag, Bachweg 3, CH-3401 Burgdorf Switzerland
Haws Mfg Pte Ltd 74 Sungai Kadut Loop Singapore 729531
e-mail: Haws@hawsco.com website: www.hawsco.com

FOR NO.	REVISION	DATE	BY
ECN: 3928	BW	05/20/01	
APPROVED:	DATE	INFO FAX DOC #	SCALE: 1:1
		289012	TRAINING TYPE: INSTALLATION/FABRACK
MODEL(S):	8901B	8901B	8901B
TRAINING NUMBER:	09421A00	09421A00	09421A00
SIZE:	A	SHT:	1 OF 1