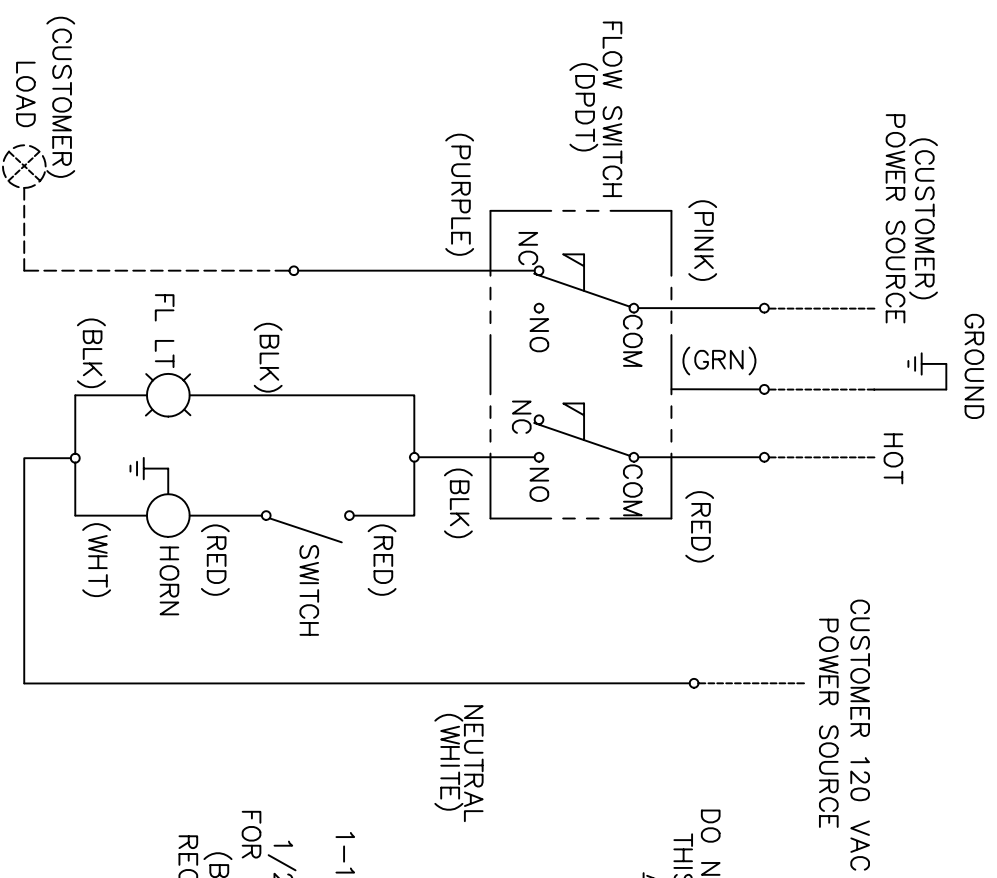


- NOTES:**
1. THE SIGNAL FROM THE RED WIRE WILL BE SUPPLY VOLTAGE WHEN NO WATER IS FLOWING AND ZERO VOLTAGE WHEN THE FLOW SWITCH AND LOCAL ALARM ARE ACTIVATED. IF A REMOTE ALARM IS NOT USED, THE RED WIRE MUST BE INSULATED AT ITS FREE END, LEAVING THE TWO CRIMP TERMINALS (SUPPLIED) CONNECTED WILL DO THIS.
  2. INSTALLER MUST USE A THREAD SEALANT, SUCH AS APPLETON TLC3, RECOMMENDED FOR USE ON ELECTRICAL COMPONENTS ON ALL ELECTRICAL NPT CONNECTIONS.

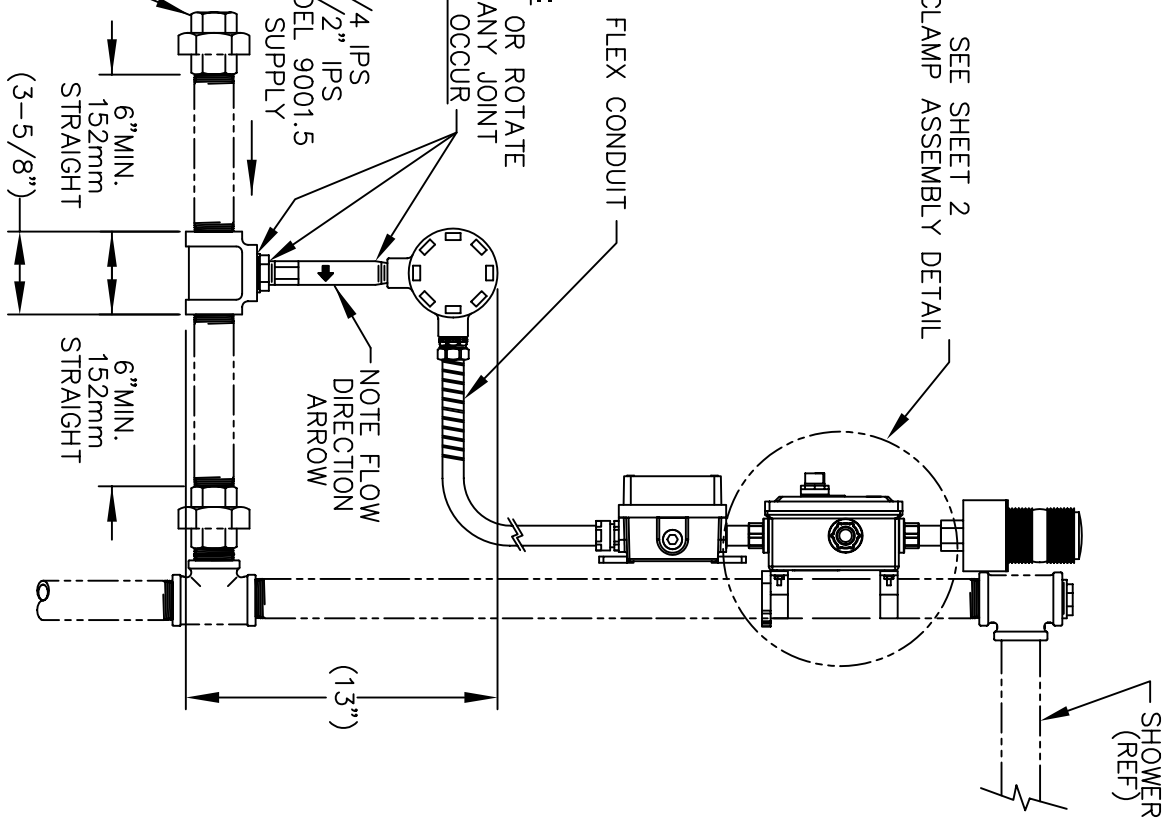


**WIRING DIAGRAM**

**CAUTION:**  
DO NOT DISASSEMBLE OR ROTATE THIS ASSEMBLY AT ANY JOINT AS DAMAGE WILL OCCUR

1-1/4" IPS OR 1/2" IPS FOR MODEL 9001.5 WATER SUPPLY

1-1/4" UNIONS OR 1/2" UNIONS FOR MODEL 9001.5 (BY OTHERS RECOMMENDED)



**FLOW SWITCH MUST BE MOUNTED IN HORIZONTAL POSITION**



1455 KLEPPE LANE  
SPARKS, NEVADA 89431  
(775) 359-4712 FAX (775) 359-7424  
E-MAIL: HAWS@HAWS.CO.COM  
WEBSITE: WWW.HAWS.CO.COM

EQ# NO.:	78858788	REV:		MODEL(S):	9001/ 9001.5 ALARM
DATE:	01/09/01	CHKD:		INFO FAX DOC #:	29001/ 290015
APPROVED:		DATE:		INSTALLATION/EXCHANGE:	
C.H.:		DATE:		SIZE:	A
				SHEET:	1 OF 2
				REV:	22
				DATE:	09/25/00
				REV:	22
				DATE:	09/25/00

