



### **AP275-200** Electric Alarm Unit for Safety Stations, with Flashing Light and Horn



**APPLICATION:** Alarm units serve two important functions when installed in conjunction with emergency eyewash and shower equipment. First, alarms serve to alert facility personnel that an accident has occurred and that assistance to the user may be required. Second, alarms deter unintended or malicious operation of the emergency equipment. For this reason, they are advisable in schools and other areas where the possibility of vandalism is present. Alarms are activated by a flow switch that senses the movement of water in the supply line when the safety unit is activated. Once activated, the bright light flashes and the horn sounds loudly.

**INSTALLATION:** Unit is designed for use with combination safety stations, and can be mounted on either the vertical pipe of the station or on a wall adjacent to the unit. 5 amp, 125 volt electrical supply is required.

**VISUAL SIGNAL:** Weatherproof amber flashing light with shatter-resistant lens.

**AUDIBLE SIGNAL:** Weatherproof horn delivers distinctive, urgent signal. Volume is preset at 103 db at 10 feet. An adjustment screw on the front of horn allows adjustment of output sound level.

**FLOW SWITCH:** 1 1/4" IPS single pole, double throw waterproof flow switch for installation in water supply line to emergency unit. Switch senses flow of water when either the eyewash or shower is activated. Flow switch must be installed with tee fitting in horizontal position, flow switch body in vertical position and at least 6" from closest fitting. Direction of flow is marked on switch body.

**MOUNTING:** Furnished complete with bracket for mounting on vertical pipe or wall, junction box and 5 foot flexible, NEMA 4X cord and receptacle. Electrical connection by others.

**QUALITY ASSURANCE:** Unit is fully assembled, wired and factory tested prior to shipment.

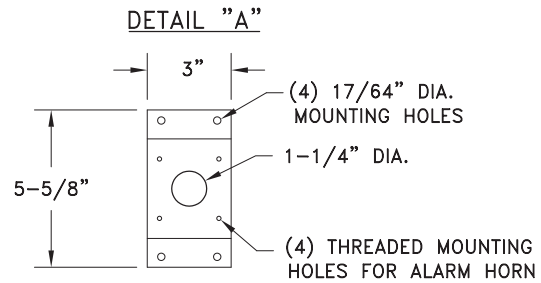
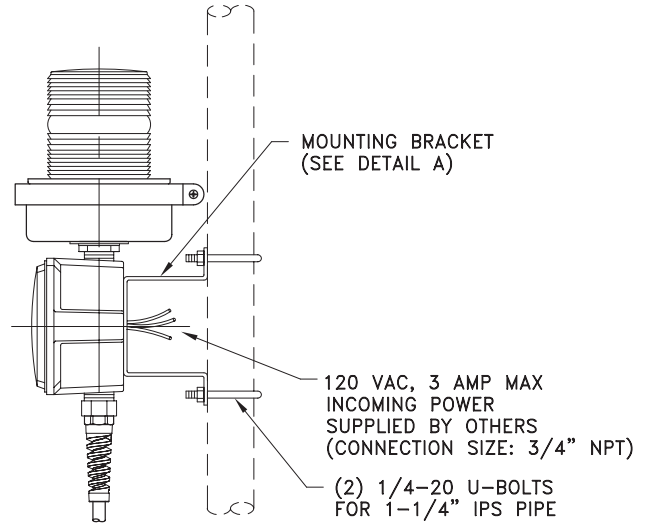
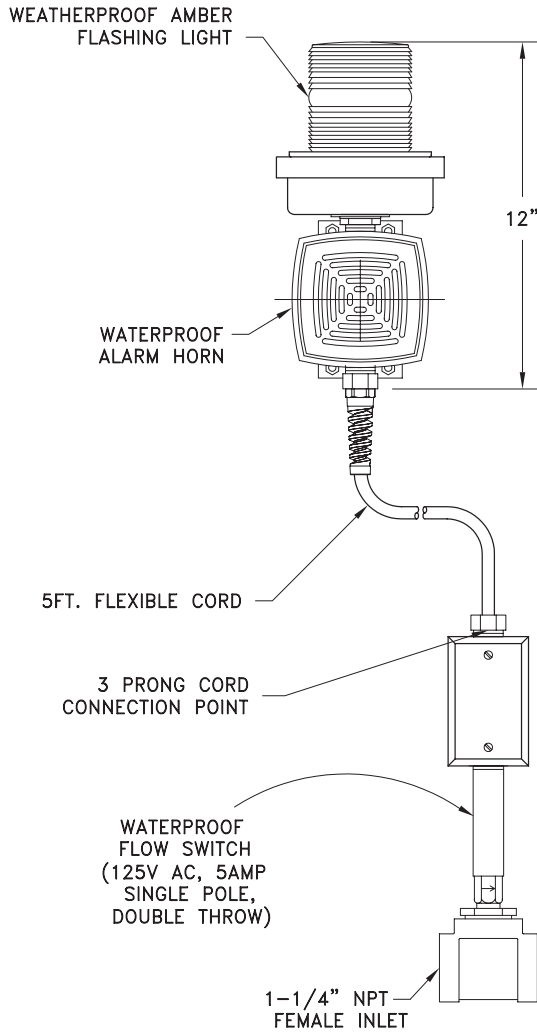
### Additional Models

- AP275-205** Same as above except with double pole, double throw flow switch for connection to monitoring system. When emergency unit is actuated, light and horn activate and electrical signal is sent to remote monitoring location.

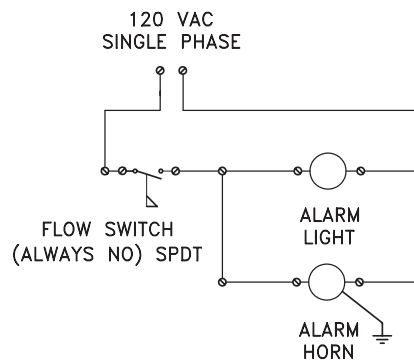




### AP275-200 Electric Alarm Unit for Safety Stations, with Flashing Light and Horn



#### WIRING SCHEMATIC



#### NOTES:

1. FLOW SWITCH IS DESIGNED TO ACTIVATE AT 2.4 GPM AND DEACTIVATE AT 2.0 GPM.
2. FLOW SWITCH MUST BE INSTALLED VERTICALLY IN A HORIZONTAL PIPE RUN, UPSTREAM OF UNIT AND AT LEAST 6" FROM FITTING.
3. SOUND OUTPUT ON HORN IS ADJUSTABLE FROM 78 db TO 103 db AT 10 FEET.

THIS SPACE FOR ARCHITECT/ENGINEER APPROVAL

Due to continuing product improvement, the information contained in this document is subject to change without notice. All dimensions are  $\pm 1/4"$  (6mm). rev. 0308

Sign Included

