



- G1635** Emergency Shower, Vertically Mounted, Plastic Shower Head
- G1635SSH** Emergency Shower, Vertically Mounted, Stainless Steel Shower Head

APPLICATION: Emergency shower for vertical mounting.

SHOWER HEAD: 10" diameter. Shower head is orange ABS plastic (G1635) or stainless steel (G1635SSH).

VALVE: 1" IPS chrome plated brass stay-open ball valve. Valve is US-made with chrome plated brass ball and Teflon® seals. Furnished with stainless steel actuating arm and 29" stainless steel pull rod.

SUPPLY: 1" NPT female inlet.

SIGN: ANSI-compliant identification sign.

Available Options

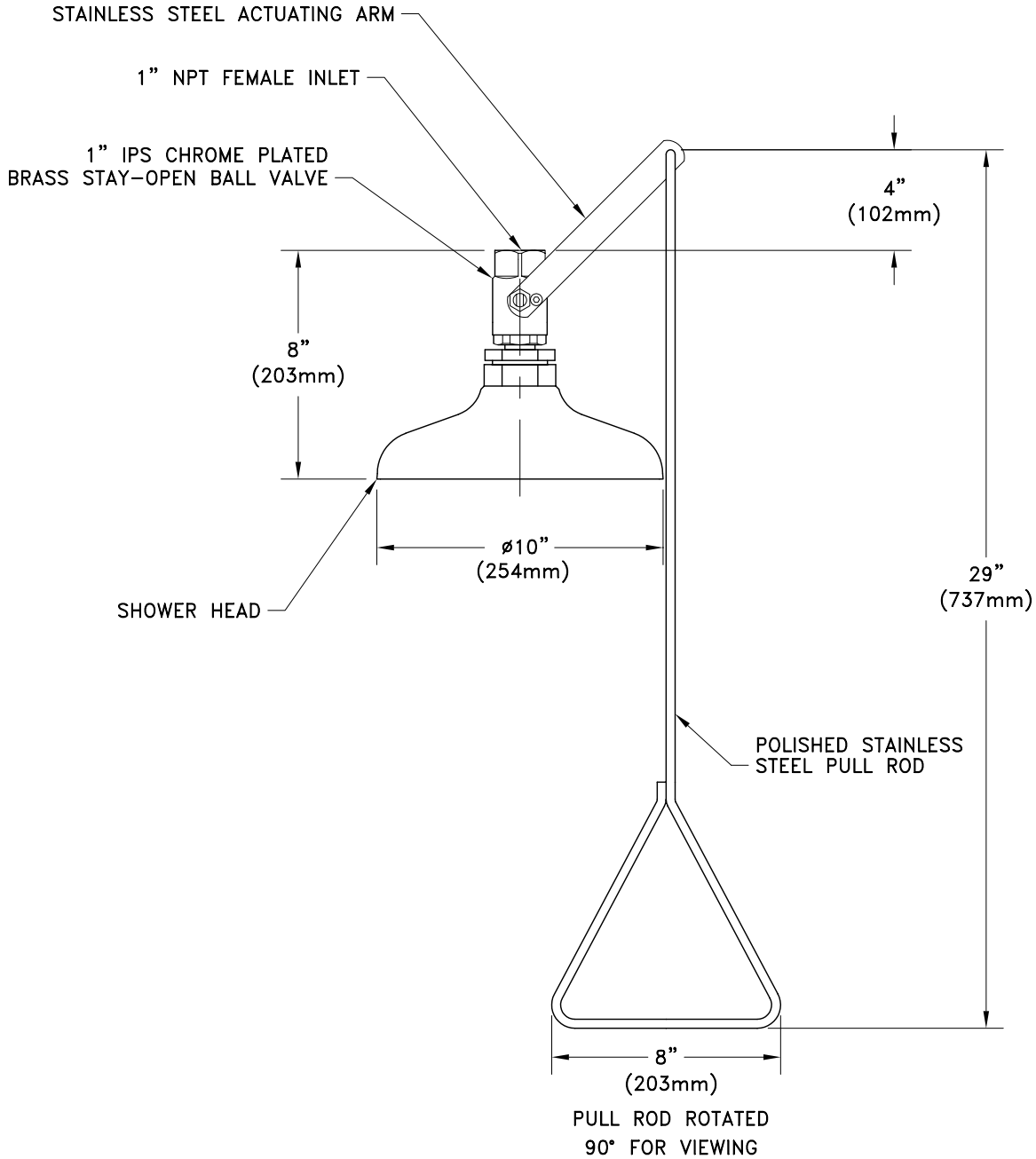
- GRN** Safety green ABS plastic shower head.
- YEL** Safety yellow ABS plastic shower head.
- PCH** Polished chrome plated cast brass shower head.
- FC20** Regulates shower flow rate to 20 GPM.
- SC** Self-closing ball valve. *Note: Emergency showers with self-closing valves do not comply with ANSI Z358.1 - 2004.*
- AP280-100 ELECTRIC LIGHT AND ALARM HORN**
Flashing light and horn serve to summon assistance when shower is activated.
- TMV** G3800 thermostatic mixing valve precisely blends hot and cold water to deliver warm (tepid) water as required by ANSI Z358.1-2004. Refer to "Tempering Units" section for complete technical and product selection information.



Pull rod rotated
90° for viewing.



- **G1635** Emergency Shower, Vertically Mounted, Plastic Shower Head
- **G1635SSH** Emergency Shower, Vertically Mounted, Stainless Steel Shower Head



THIS SPACE FOR ARCHITECT/ENGINEER APPROVAL

Due to continuing product improvement, the information contained in this document is subject to change without notice. All dimensions are $\pm 1/4"$ (6mm). rev. 0308

Sign Included

