



- G1760** Eye/Face Wash, Pedestal Mounted, Stainless Steel Bowl
- G1760P** Eye/Face Wash, Pedestal Mounted, Plastic Bowl

**APPLICATION:** Free standing, pedestal mounted eye/face wash. Two large FS-Plus™ spray-type outlet heads deliver a flood of water for rinsing eyes and face.

**SPRAY HEAD ASSEMBLY:** Two FS-Plus™ spray heads. Each head has a “flip top” dust cover, internal flow control and filter to remove impurities from the water flow.

**VALVE:** 1/2" IPS chrome plated brass stay-open ball valve. Valve is US-made with chrome plated brass ball and Teflon® seals.

**BOWL:** 11 1/2" diameter. Bowl is stainless steel (G1760) or orange ABS plastic (G1760P).

**PIPE AND FITTINGS:** Schedule 40 galvanized steel. Furnished with orange polyethylene covers for vertical piping for high visibility and corrosion resistance.

**SUPPLY:** 1/2" NPT female inlet.

**WASTE:** 1 1/4" NPT female outlet.

**SIGN:** ANSI-compliant identification sign.

**QUALITY ASSURANCE:** Valve, bowl and spray head assembly is factory assembled and water tested prior to shipment.

### Available Options

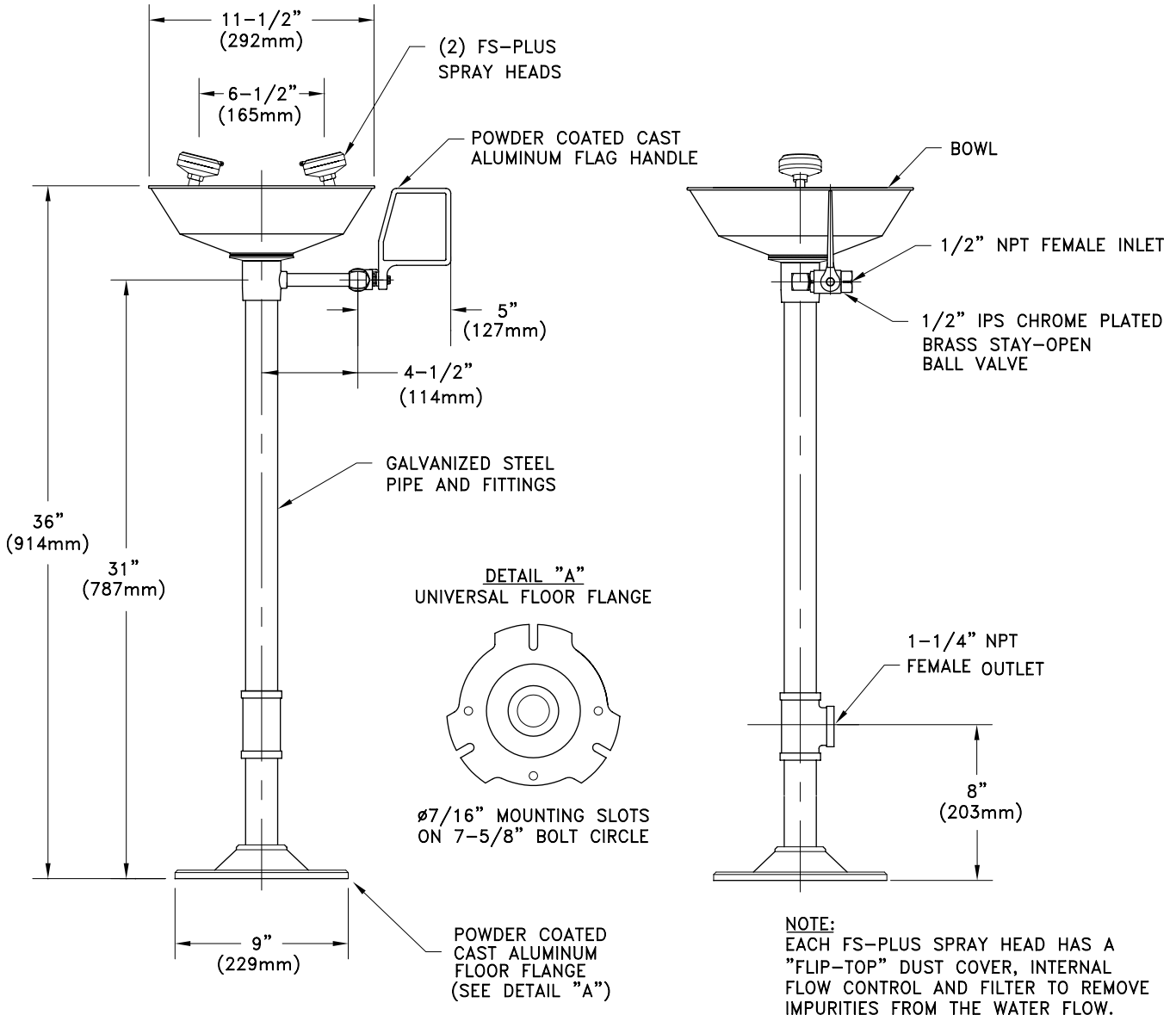
- BC** Stainless steel bowl cover (G1760 only). Cover protects unit against contaminants. Cover is automatically raised when unit is activated.
- DC** Stainless steel dust cover for each spray head.
- HFC** Hand and foot control. Eye/face wash is activated by flag handle or foot treadle.
- HS** Auxiliary hand-held drench hose for rinsing eyes, face or body.
- SC** Self-closing ball valve. *Note: Eye/face washes with self-closing valves do not comply with ANSI Z358.1 - 2004.*
- TMV** G3600 thermostatic mixing valve precisely blends hot and cold water to deliver warm (tepid) water as required by ANSI Z358.1-2004. Refer to “Tempering Units” section for complete technical and product selection information.





□ **G1760** Eye/Face Wash, Pedestal Mounted, Stainless Steel Bowl

□ **G1760P** Eye/Face Wash, Pedestal Mounted, Plastic Bowl



THIS SPACE FOR ARCHITECT/ENGINEER APPROVAL

Due to continuing product improvement, the information contained in this document is subject to change without notice. All dimensions are ± 1/4" (6mm). rev. 0308

Sign Included

