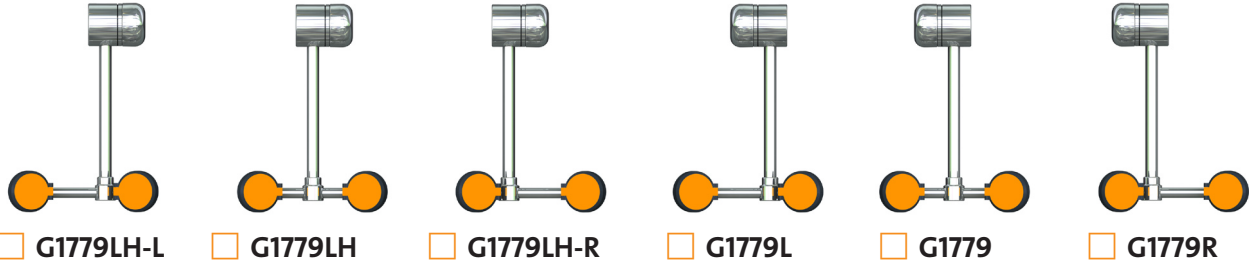




G1779 Eye/Face Wash, Deck Mounted AutoFlow™ 90° Swing-Down



APPLICATION: AutoFlow™ eye/face wash for mounting on counter. Spray heads swing down from storage to operational position, activating water flow. Available in a variety of spray head configurations to minimize obstructions at a sink. *Note: If unit is not installed at a sink, floor drain should be provided underneath unit to prevent accumulation of water on floor. Two FS-Plus™ spray heads. Each head has a “flip top” dust cover, internal flow control and filter to remove impurities from the water flow.*

SPRAY HEAD ASSEMBLY: 1/2" IPS plug-type valve with Teflon® coated O-ring seals. Swinging head assembly down from storage to operational position opens orifice and activates water flow. Unit remains in operation until spray head assembly is returned to storage position.

VALVE: Unit is furnished with in-line strainer to protect valve and spray heads from debris in water line. Furnished with mounting hardware for securing unit to counter.

CONSTRUCTION: Polished chrome plated brass.

SUPPLY: 1/2" NPT male inlet.

SIGN: ANSI-compliant identification sign.

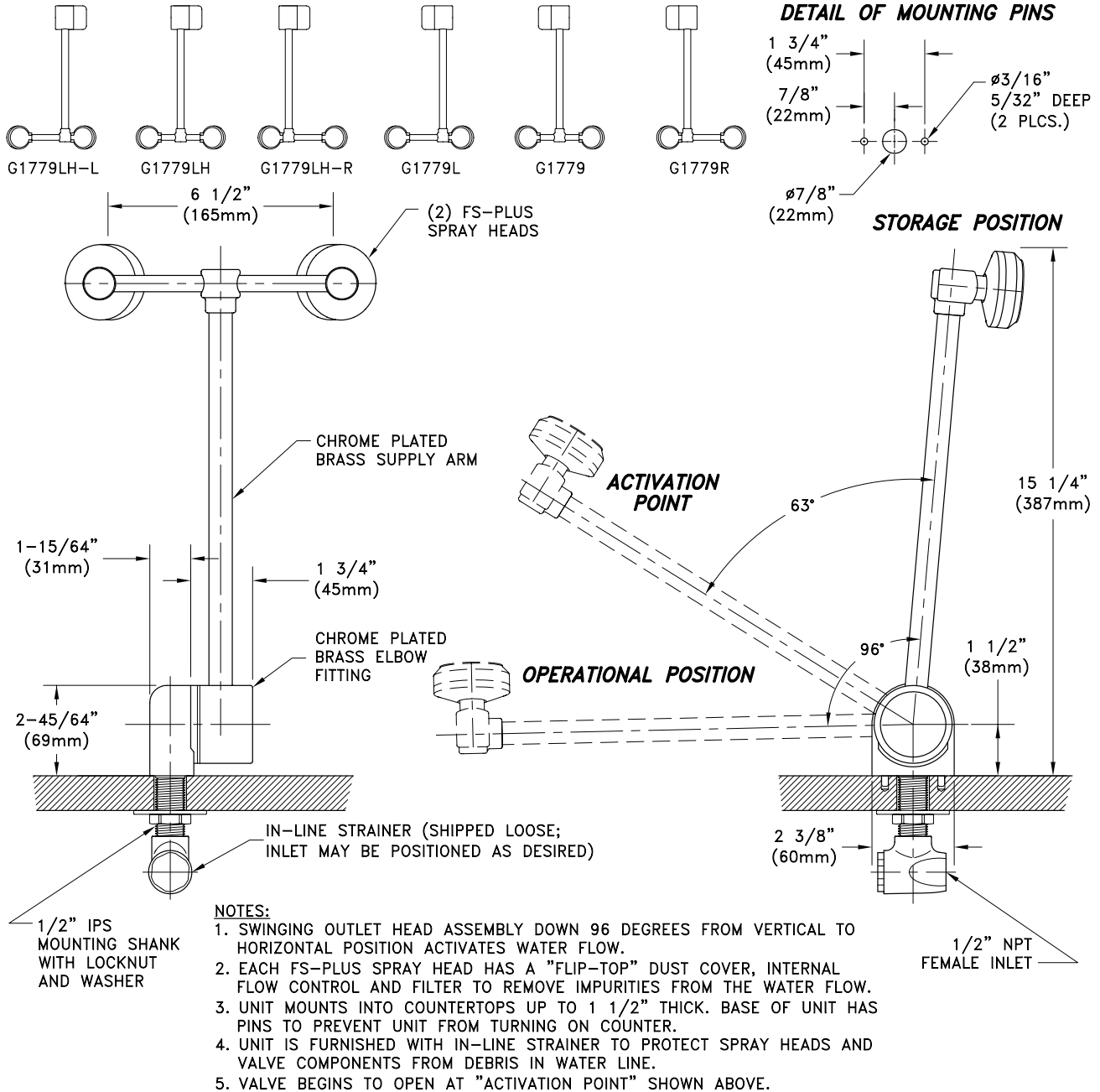
QUALITY ASSURANCE: Unit is completely assembled and water tested prior to shipment.

Available Options

TMV G3600 thermostatic mixing valve precisely blends hot and cold water to deliver warm (tepid) water as required by ANSI Z358.1-2004. Refer to “Tempering Units” section for complete technical and product selection information.



G1779 Eye/Face Wash, Deck Mounted AutoFlow™ 90° Swing-Down



THIS SPACE FOR ARCHITECT/ENGINEER APPROVAL

Due to continuing product improvement, the information contained in this document is subject to change without notice. All dimensions are ± 1/4" (6mm). rev. 0308

Sign Included

