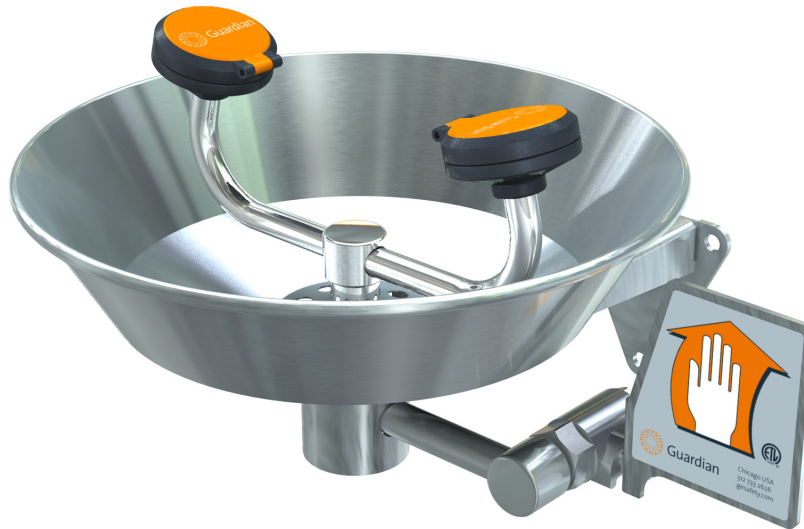




□ **G1781** Eye/Face Wash, Wall Mounted, All-Stainless Steel



APPLICATION: Eye/face wash for wall mounting. Constructed entirely in stainless steel. Ideal for use in highly corrosive environments and clean room applications. Two large FS-Plus™ spray-type outlet heads deliver a flood of water for rinsing eyes and face.

SPRAY HEAD ASSEMBLY: Two FS-Plus™ spray heads. Each head has a “flip top” dust cover, internal flow control and filter to remove impurities from the water flow.

VALVE: 1/2" IPS stainless steel stay-open ball valve. Valve has stainless steel ball and Teflon® seals.

BOWL: 11 1/2" diameter stainless steel.

MOUNTING: Heavy duty stainless steel wall bracket.

SUPPLY: 1/2" NPT female inlet.

WASTE: 1 1/4" NPT female outlet.

SIGN: ANSI-compliant identification sign.

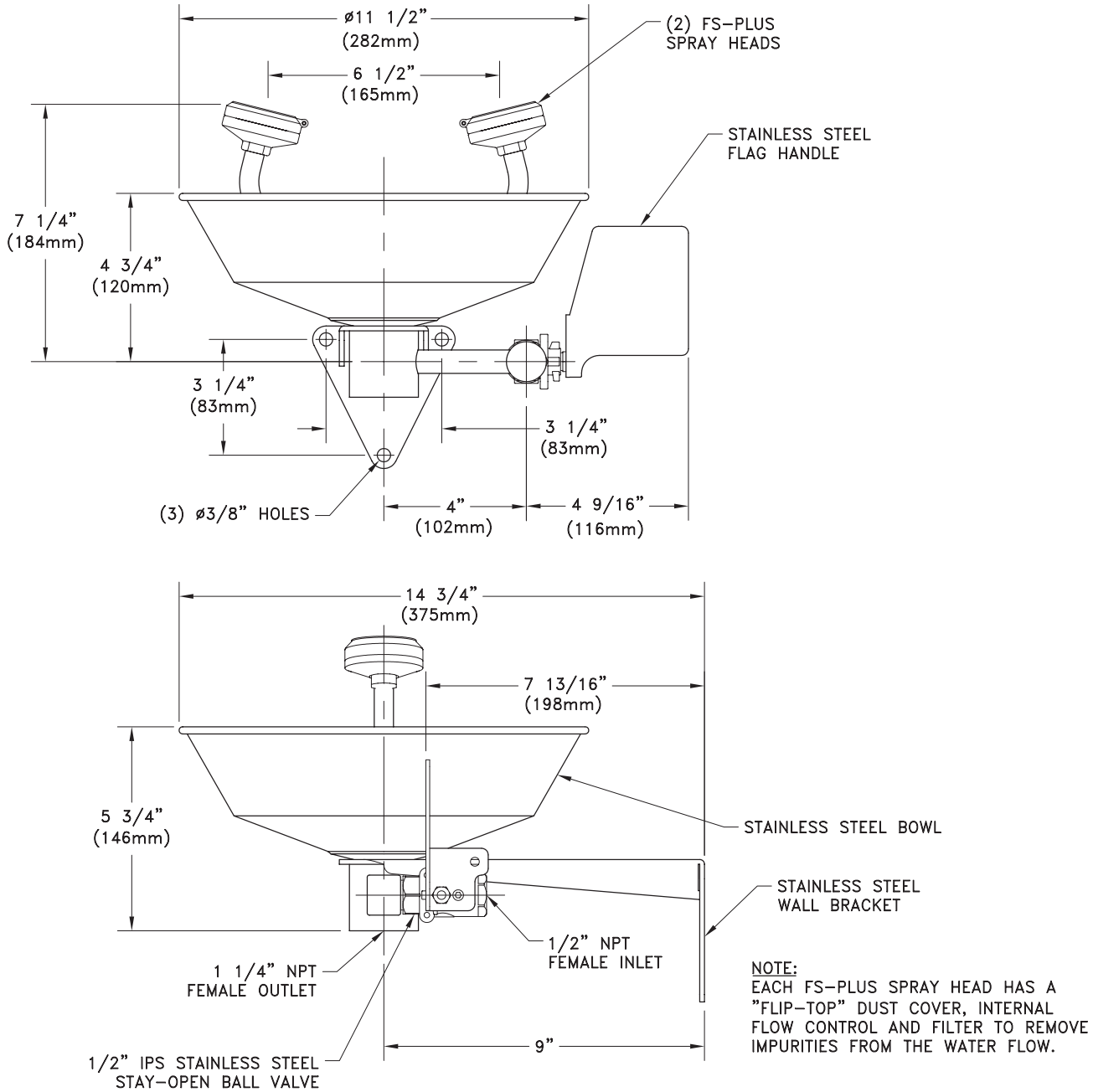
QUALITY ASSURANCE: Unit is completely assembled and water tested prior to shipment.

Available Options

- **BC** Stainless steel bowl cover. Cover protects unit against contaminants. Cover is automatically raised when unit is activated.
- **DC** Stainless steel dust cover for each spray head.
- **T** Chrome plated brass tailpiece and trap with 1/2" IPS waste connection.
- **TP 1** 1/2" OD chrome plated brass tailpiece.
- **TMV** G3600 thermostatic mixing valve precisely blends hot and cold water to deliver warm (tepid) water as required by ANSI Z358.1-2004. Refer to “Tempering Units” section for complete technical and product selection information.



G1781 Eye/Face Wash, Wall Mounted, All-Stainless Steel



THIS SPACE FOR ARCHITECT/ENGINEER APPROVAL

Due to continuing product improvement, the information contained in this document is subject to change without notice. All dimensions are $\pm 1/4$ " (6mm). rev. 0308

Sign Included

