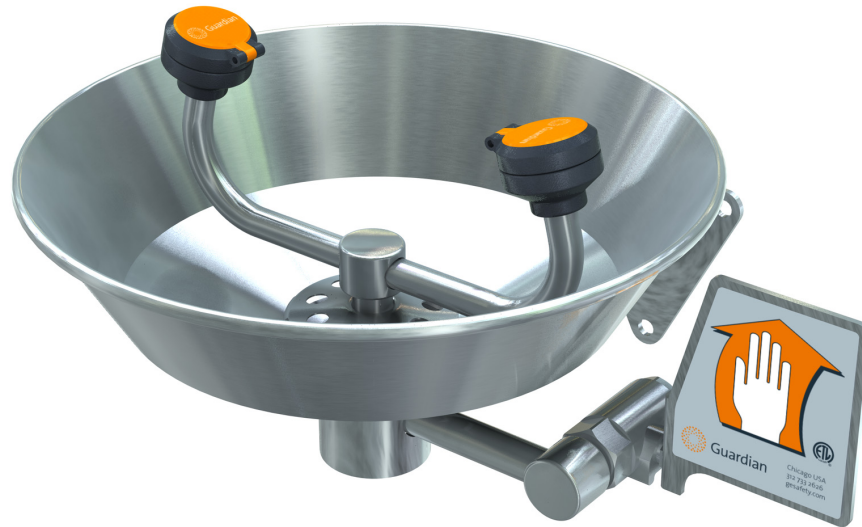




### □ **G1891** Eyewash, Wall Mounted, All-Stainless Steel



**APPLICATION:** Eyewash for wall mounting. Constructed entirely in stainless steel. Ideal for use in highly corrosive environments and clean room applications. Two GS-Plus™ spray-type spray heads deliver a flood of water for rinsing eyes.

**SPRAY HEAD ASSEMBLY:** Two GS-Plus™ spray heads. Each head has a “flip top” dust cover, internal flow control and filter to remove impurities from the water flow.

**VALVE:** 1/2" IPS stainless steel stay-open ball valve. Valve has stainless steel ball and Teflon® seals.

**BOWL:** 11 1/2" diameter stainless steel.

**MOUNTING:** Heavy duty stainless steel wall bracket.

**SUPPLY:** 1/2" NPT female inlet.

**WASTE:** 1 1/4" NPT female outlet.

**SIGN:** ANSI-compliant identification sign.

**QUALITY ASSURANCE:** Unit is completely assembled and water tested prior to shipment.

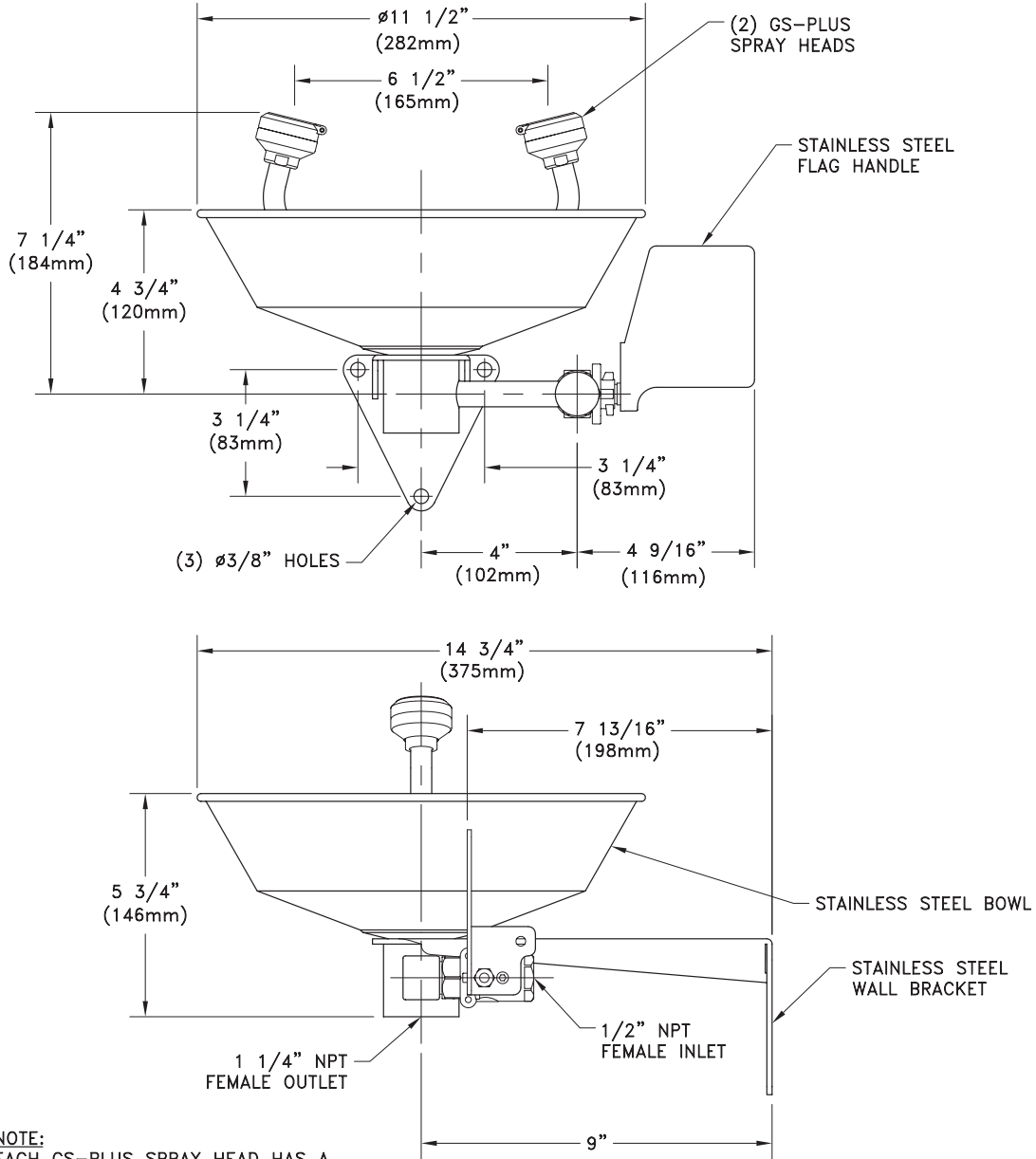
### Available Options

- **BC** Stainless steel bowl cover. Cover protects unit against contaminants. Cover is automatically raised when unit is activated.
- **DC** Stainless steel dust cover for each spray head.
- **T** Chrome plated brass tailpiece and trap with 1 1/2" IPS waste connection.
- **TP** 1 1/2" OD chrome plated brass tailpiece.
- **TMV** G3600 thermostatic mixing valve precisely blends hot and cold water to deliver warm (tepid) water as required by ANSI Z358.1-2004. Refer to “Tempering Units” section for complete technical and product selection information.





### □ G1891 Eyewash, Wall Mounted, All-Stainless Steel



**NOTE:**  
EACH GS-PLUS SPRAY HEAD HAS A "FLIP-TOP" DUST COVER, INTERNAL FLOW CONTROL AND FILTER TO REMOVE IMPURITIES FROM THE WATER FLOW.

THIS SPACE FOR ARCHITECT/ENGINEER APPROVAL

Due to continuing product improvement, the information contained in this document is subject to change without notice. All dimensions are  $\pm 1/4$ " (6mm). rev. 0308

Sign Included

