



- G1893** Eyewash, Deck Mounted, 90° Swivel, All-Stainless Steel, Right Hand Mounting
- G1893LH** Eyewash, Deck Mounted, 90° Swivel, All-Stainless Steel, Left Hand Mounting



APPLICATION: All-stainless steel eyewash for mounting on counter next to sink. Spray heads swivel 90 degrees from storage to operational position. Unit is constructed entirely in stainless steel for corrosion resistance.

SPRAY HEAD ASSEMBLY: Two GS-Plus™ spray heads. Each head has a “flip top” dust cover, internal flow control and filter to remove impurities from the water flow.

VALVE: 1/2" IPS stainless steel stay-open ball valve. Valve has stainless steel ball and Teflon® seals.

MOUNTING: Unit may be mounted on right side (G1893) or left side (G1893LH) of sink. Furnished with locknut and washer for securing unit to countertop.

CONSTRUCTION: Type 316 stainless steel.

SUPPLY: 1/2" NPT male inlet.

SIGN: ANSI-compliant identification sign.

QUALITY ASSURANCE: Unit is completely assembled and water tested prior to shipment.

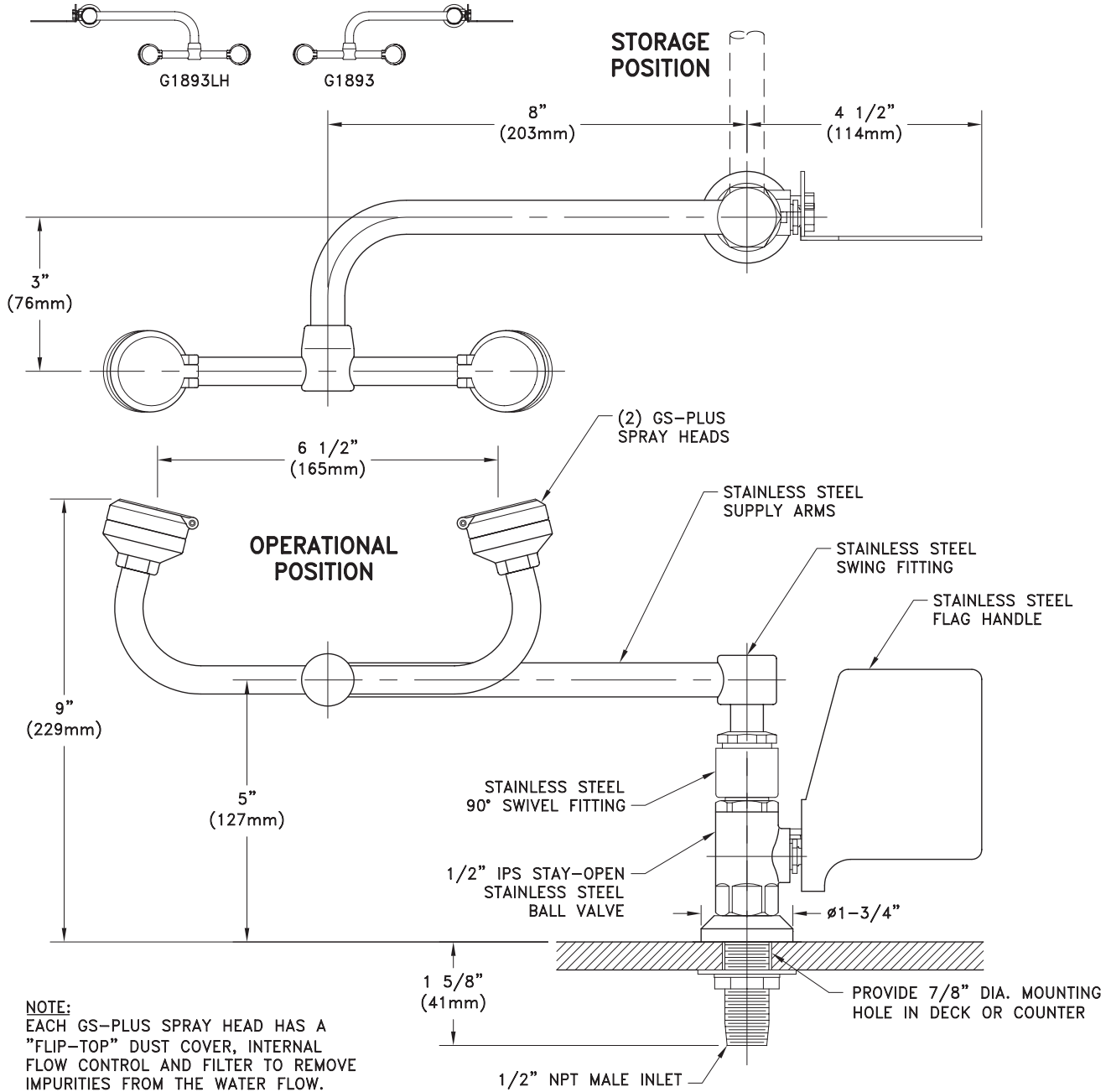
Available Options

- DC** Stainless steel dust cover for each spray head.
- TMV** G3600 thermostatic mixing valve precisely blends hot and cold water to deliver warm (tepid) water as required by ANSI Z358.1-2004. Refer to “Tempering Units” section for complete technical and product selection information.





- G1893** Eyewash, Deck Mounted, 90° Swivel, All-Stainless Steel, Right Hand Mounting
- G1893LH** Eyewash, Deck Mounted, 90° Swivel, All-Stainless Steel, Left Hand Mounting



THIS SPACE FOR ARCHITECT/ENGINEER APPROVAL

Due to continuing product improvement, the information contained in this document is subject to change without notice. All dimensions are ± 1/4" (6mm). rev. 0308

Sign Included

