

Guardian

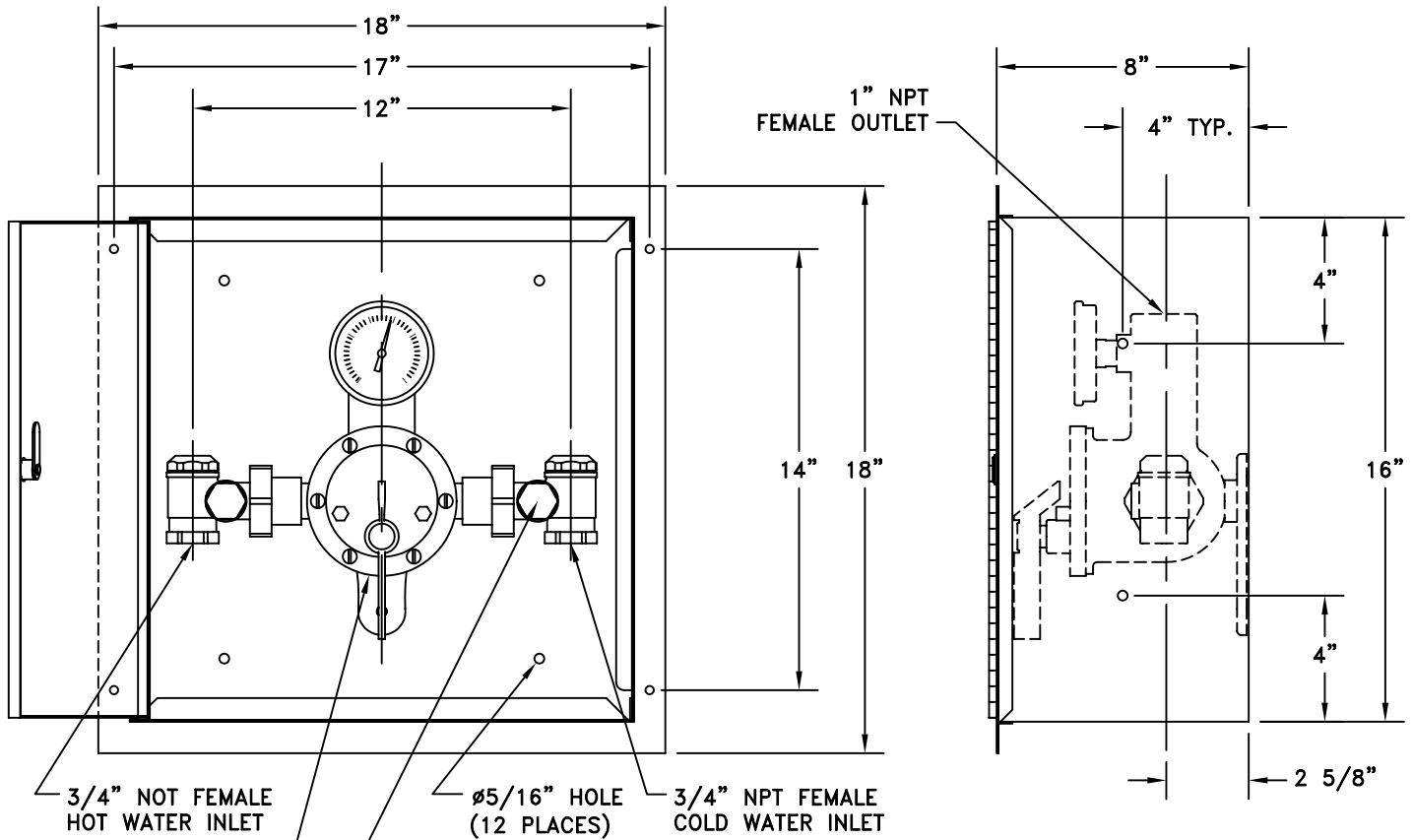
EMERGENCY EYEWASH & SHOWER TECHNOLOGY

Guardian Equipment
1140 N North Branch St
Chicago, IL 60642

312 447 8100 TELEPHONE
312 447 8101 FACSIMILE
gesafety.com

G3707

THERMOSTATIC MIXING VALVE FOR MULTIPLE EYE WASHES OR SINGLE EMERGENCY SHOWER, HOUSED IN RECESS MOUNTED STAINLESS STEEL CABINET

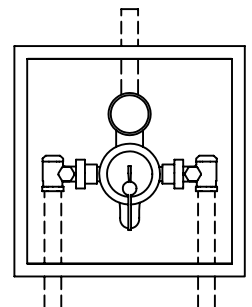
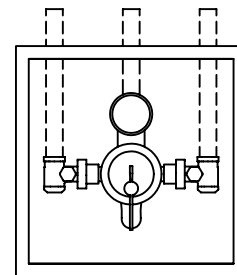


INTEGRAL CHECK VALVE AND UNION CONNECTION ROTATE 360° FOR TOP OR BOTTOM INSTALLATION

- THERMOSTATIC MIXING VALVE
- * LOCKING TYPE TEMPERATURE REGULATOR TO PREVENT ACCIDENTAL MOVEMENT.
 - * BUILT-IN COLD WATER BYPASS.
 - * ADJUSTABLE HIGH TEMPERATURE LIMIT

TOP FEED CONFIG.

BOTTOM FEED CONFIG.



NOTE:
ENCLOSURE IS 16 GAUGE BRUSHED STAINLESS STEEL CABINET WITH HINGED DOOR AND KEYED LOCK.

WARNING
IT IS THE RESPONSIBILITY OF THE SPECIFIER TO DETERMINE THE DELIVERED WATER TEMPERATURE TO EACH SAFETY FIXTURE. A COMFORTABLE RANGE IS 60°F TO 90°F (15°C TO 32°C). IN CIRCUMSTANCES WHERE A CHEMICAL REACTION IS ACCELERATED BY WATER TEMPERATURE, A MEDICAL ADVISOR SHOULD BE CONSULTED FOR THE OPTIMUM TEMPERATURE FOR EACH APPLICATION.

NOTE:
A LIMIT STOP, SET FOR 90°F (32°C), IS SIMPLY A MECHANICAL SETTING TO PREVENT EXCESSIVE HANDLE ROTATION. IF INCOMING WATER IS HOTTER THAN 150°F (66°C), THE TEMPERATURE OF THE FACTORY TEST, THE VALVE WHEN TURNED TO FULL HOT MAY DELIVER WATER IN EXCESS OF 90°F (32°C) AND THE LIMIT STOP MUST BE RESET BY THE INSTALLER!

FLOW CAPACITIES	MINIMUM FLOW (GPM) L\MIN	INTERNAL COLD WATER BY-PASS MINIMUM	SYSTEM PRESSURE DROP								PSI BAR GPM L\MIN
			5	10	15	20	25	30	35	40	
3	20	18	23	29	34	40	45	51	56	58	
11	76	68	87	110	129	151	170	193	212	220	

UNITS (EXCEPT THOSE WITH SELF-CLOSING VALVES) COMPLY WITH THE REQUIREMENTS OF ANSI Z358.1.

TEST ALL EMERGENCY EQUIPMENT AT LEAST WEEKLY.

Drawing Number: G608-071

Approved: _____

Revision Number: 111406-EJM