

# Guardian

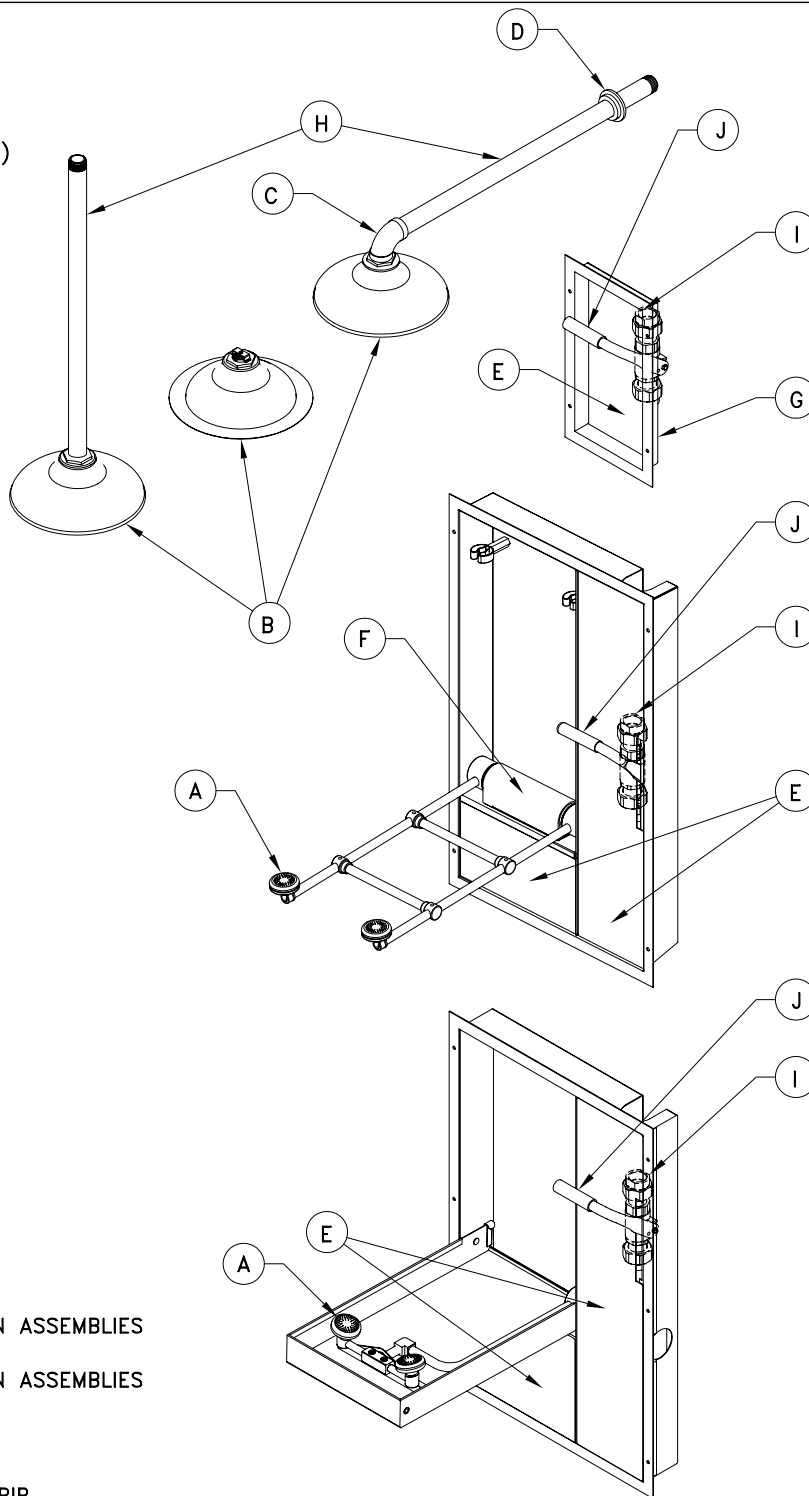
EMERGENCY EYEWASH & SHOWER TECHNOLOGY

Guardian Equipment  
1140 N North Branch St  
Chicago, IL 60642

312 447 8100 TELEPHONE  
312 447 8101 FACSIMILE  
gesafety.com

## PARTS LISTING RECESSED UNITS

- (A) FS PLUS SPRAY HEAD  
AP470-021LDC
- (B) SHOWER HEADS
  - STAINLESS STEEL  
AP450-062 (10" DIA. - RECESSED FLANGED)
  - AP450-048 (10" DIA. - EXPOSED)
  - CHROME PLATED BRASS  
AP450-016 (8" DIA. - EXPOSED)
  - PLASTIC (EXPOSED ONLY)  
AP450-032ORG (ORANGE)
  - AP450-032GRN (GREEN)
  - AP450-032YEL (YELLOW)
- (C) SHOWER HEAD ELBOWS
  - STAINLESS STEEL  
320-08SE; 1" IPS STREET ELBOW
  - CHROME PLATED BRASS  
310-08SE; 1" IPS STREET ELBOW
  - PLASTIC  
330-12-08RSE-OR (ORANGE)
  - 330-12-08RSE-GR (GREEN)
  - 330-12-08RSE-YE (YELLOW)
- (D) ESCUTCHEON  
AP150-082B (STAINLESS STEEL)  
AP150-082 (CHROME)
- (E) ACCESS PANELS
  - SHOWER VALVE  
200-008A (GBF2100 SERIES)
  - 200-038A (GBF2150 SERIES)
  - 200-055 (G1670 SERIES)
  - 200-039A (GBF1735DP)
  - EYE WASH VALVE AND DRAIN  
200-034A (GBF2150 SERIES & GBF1735DP)
  - 200-004A (GBF2100 & GBF1735 SERIES)
- (F) COVER BOX  
200-002A-1 (GBF2100 & GBF1735 SERIES)
- (G) HOUSING  
200-053 (G1670 SERIES)
- (H) SUPPLY NIPPLES
  - STAINLESS STEEL  
520-08-37: 1" IPS X 37"
  - 520-08-21: 1" IPS X 21"
  - CHROME PLATED BRASS  
510-08-37: 1" IPS X 37"
  - 510-08-21: 1" IPS X 21"
- (I) SHOWER VALVE ASSEMBLY, BRASS  
AP600-350; VALVE, HANDLE WITH (2) UNION ASSEMBLIES  
(GBF2100 & G1670 SERIES)  
AP600-355: VALVE, HANDLE WITH (2) UNION ASSEMBLIES  
(GBF2150 SERIES)  
AP250-054; UNION ASSEMBLY (2 REQ'D)
- (J) SHOWER VALVE HANDLE  
050-111; STAINLESS STEEL HANDLE WITH GRIP  
050-112; FOAM GRIP



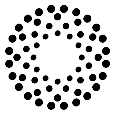
UNITS (EXCEPT THOSE WITH SELF-CLOSING VALVES) COMPLY WITH THE REQUIREMENTS OF ANSI Z358.1.

TEST ALL EMERGENCY EQUIPMENT AT LEAST WEEKLY.

Drawing Number: PL-RU

Approved: \_\_\_\_\_

Revision Number: 051908-JPP



# Guardian

EMERGENCY EYEWASH & SHOWER TECHNOLOGY

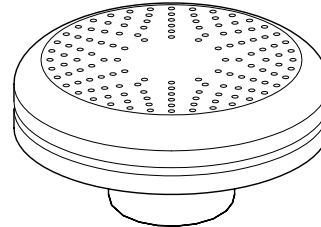
Guardian Equipment  
1140 N North Branch St  
Chicago, IL 60642

312 447 8100 TELEPHONE  
312 447 8101 FACSIMILE  
gesafety.com

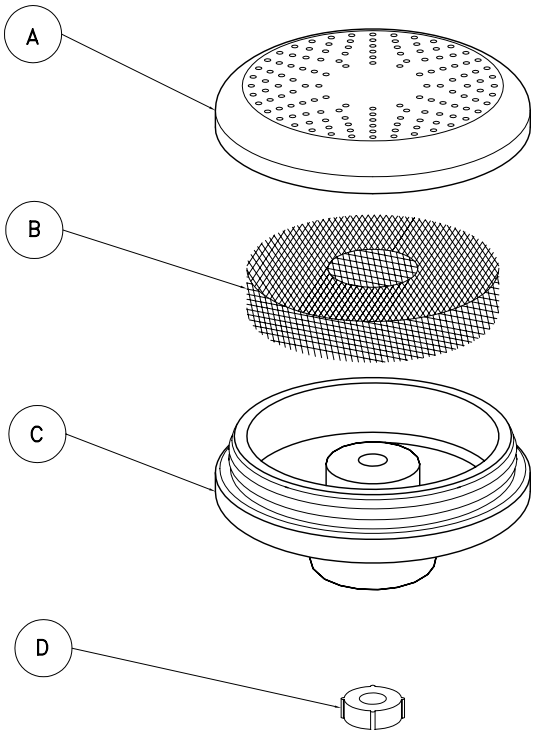
## SPRAY HEAD ASSEMBLY INSTRUCTIONS FS PLUS SPRAY HEAD

THIS GUARDIAN EQUIPMENT PRODUCT IS EQUIPPED WITH FS PLUS SPRAY HEADS. EACH HEAD FEATURES:

- TOUGH POLYPROPYLENE PLASTIC CONSTRUCTION
- EASILY ACCESSIBLE 3.2 GPM FLOW CONTROL
- DENSE (60 PORE PER INCH) POLYURETHANE FILTER
- UNIQUE DESIGN PROVIDES A CONSISTENTLY SOFT, FULL SPRAY OF WATER ACROSS A RANGE OF WORKING PRESSURES FROM 30 TO 100 PSI.



PART NUMBER:  
AP470-021LDC



- |     |          |                            |
|-----|----------|----------------------------|
| (A) | 470-026R | CAP                        |
| (B) | 470-024R | 60 PPI POLYURETHANE FILTER |
| (C) | 470-021R | PLASTIC BODY               |
| (D) | 470-025R | 3.2 GPM FLOW CONTROL       |

### **IMPORTANT:**

**IN ORDER TO OPERATE PROPERLY, THE FLOW CONTROL  
MUST BE INSERTED INTO THE BODY CONCAVE END FIRST**

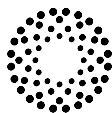
UNITS (EXCEPT THOSE WITH SELF-CLOSING VALVES) COMPLY WITH THE REQUIREMENTS OF ANSI Z358.1.

TEST ALL EMERGENCY EQUIPMENT AT LEAST WEEKLY.

Drawing Number: AI-FS2

Approved: \_\_\_\_\_

Revision Number: 071906-EJM



# Guardian

EMERGENCY EYEWASH & SHOWER TECHNOLOGY

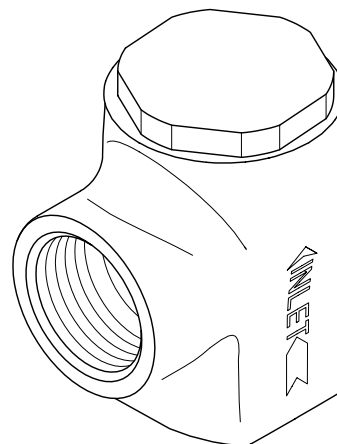
Guardian Equipment  
1140 N North Branch St  
Chicago, IL 60642

312 447 8100 TELEPHONE  
312 447 8101 FACSIMILE  
gesafety.com

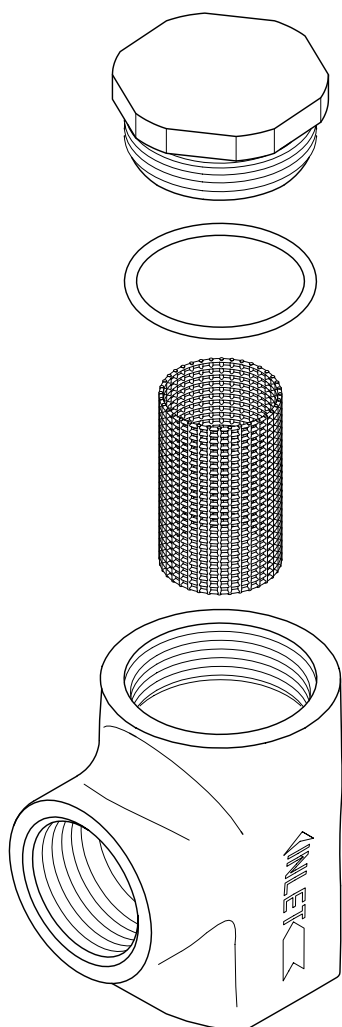
## ASSEMBLY AND CLEANING INSTRUCTIONS FOR IN-LINE STRAINER ASSEMBLY

### TO PERFORM WEEKLY CLEANING OF THE STRAINER:

1. UNSCREW THE STRAINER BONNET (A).
2. INSPECT THE O-RING (B) FOR DAMAGE. REPLACE IF NEEDED.
3. REMOVE CYLINDRICAL SCREEN (C) AND RINSE UNDER CLEAN WATER. GENTLY RUB THE SCREEN UNTIL ALL DEBRIS HAS BEEN REMOVED.
4. CAREFULLY REINSERT SCREEN INTO THE COUNTERBORE WITHIN THE STRAINER BODY (SHOULD FIT SNUGLY).
5. REPLACE STRAINER BONNET AND TEST FOR PROPER OPERATION OF STRAINER AND EYE WASH.



AP400-013  
IN-LINE STRAINER



RK400-013

REPAIR KIT FOR STRAINER  
CONSISTING OF BONNET,  
O-RING,  
AND 30 MESH CYLINDRICAL SCREEN

### **IMPORTANT**

ALL EMERGENCY EQUIPMENT MUST BE INSPECTED AND TESTED AT LEAST WEEKLY TO ENSURE PROPER OPERATION. ON UNITS EQUIPPED WITH AN IN-LINE STRAINER, WEEKLY INSPECTION SHOULD ALSO INCLUDE CHECKING THE STRAINER FOR ACCUMULATION OF DEBRIS OR FOREIGN MATTER. SUCH DEBRIS CAN IMPAIR THE FLOW OF WATER THROUGH THE STRAINER AND PREVENT THE EYE WASH FROM FUNCTIONING PROPERLY.

UNITS (EXCEPT THOSE WITH SELF-CLOSING VALVES) COMPLY WITH THE REQUIREMENTS OF ANSI Z358.1. TEST ALL EMERGENCY EQUIPMENT AT LEAST WEEKLY.

Drawing Number: AI-SA

Approved: \_\_\_\_\_

Revision Number: 061504-TPS