

Installation

S19-125SBF

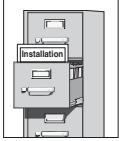
S19-125SFMBF

Barrier Free Recess-Mounted Drench Shower

Table of Contents

Pre-Installation Information	2
Assembly of Components	3
Service Parts	3
Cabinet Dimensions	4
Rough-Ins	5
Installation	6-7

⚠ IMPORTANT ⚠



Read this installation manual completely to ensure proper installation, then file it with the owner or maintenance department. Compliance and conformity to drain requirements and other local codes and ordinances is the responsibility of the installer.



Separate parts from packaging and make sure all parts are accounted for before discarding any packaging material. If any parts are missing, do not begin installation until you obtain the missing parts.



Flush the water supply lines before beginning installation and after installation is complete. Test the unit for leaks and adequate water flow. Main water supply to the eyewash should be "ON" at all times. Provisions shall be made to prevent unauthorized shutoff.



The ANSI Z358.1 standard requires an uninterrupted supply of flushing fluid at a minimum 30 PSI (0.21 MPa) flowing pressure. Flushing fluid should be tepid per ANSI Z358.1.



The inspection and testing results of this equipment should be recorded weekly to verify proper operation. This equipment should be inspected annually to ensure compliance with ANSI Z358.1.



Workers who may come in contact with potentially hazardous materials should be trained regarding the placement and proper operation of emergency equipment per ANSI Z358.1.



For questions regarding the operation or installation of this product, visit www.bradleycorp.com or call 1-800-BRADLEY.

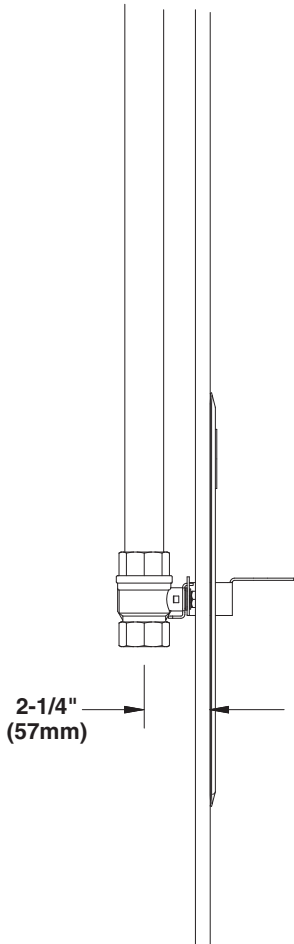
Product warranties and parts information may also be found under "Products" on our web site at www.bradleycorp.com.

Supplies Required:

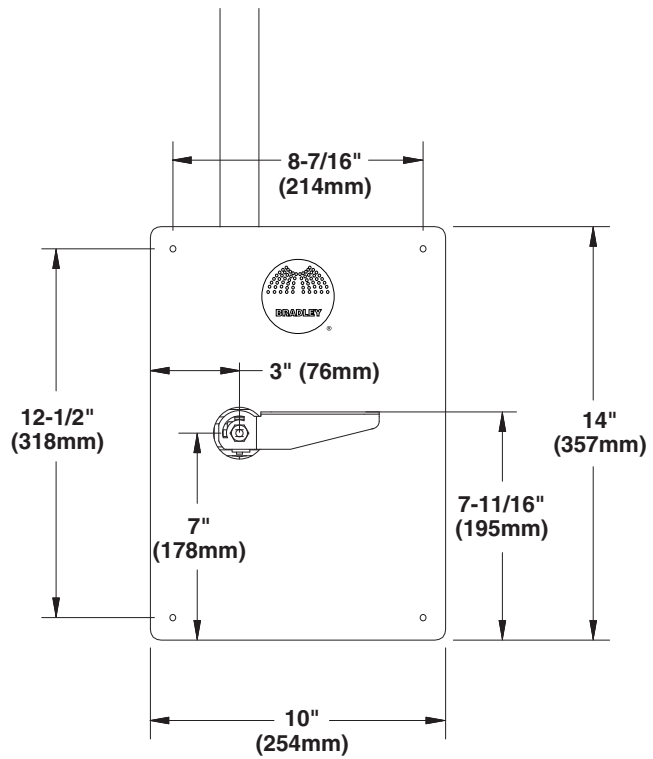
- Teflon tape and Pipe sealant
- Piping to 1" NPT water supply inlet on unit
- Adequate supply pipe supports
- Hardware to mount escutcheon to ceiling
- Minimum 4" (102 mm) drain to accommodate 30 gallons per minute discharge for drench shower waste
- Sign-mounting hardware

S19-125 Series Cabinet Dimensions

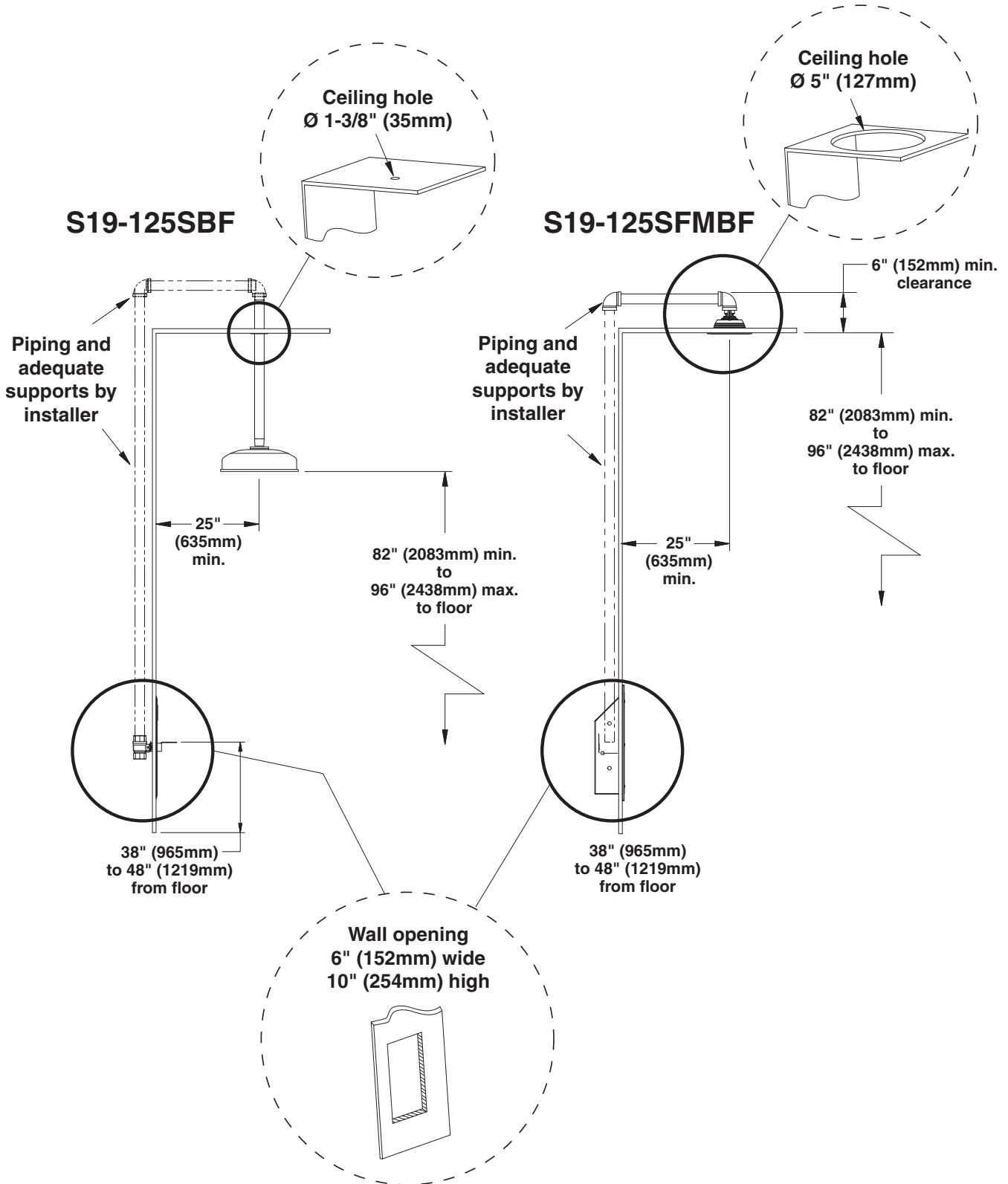
Side View



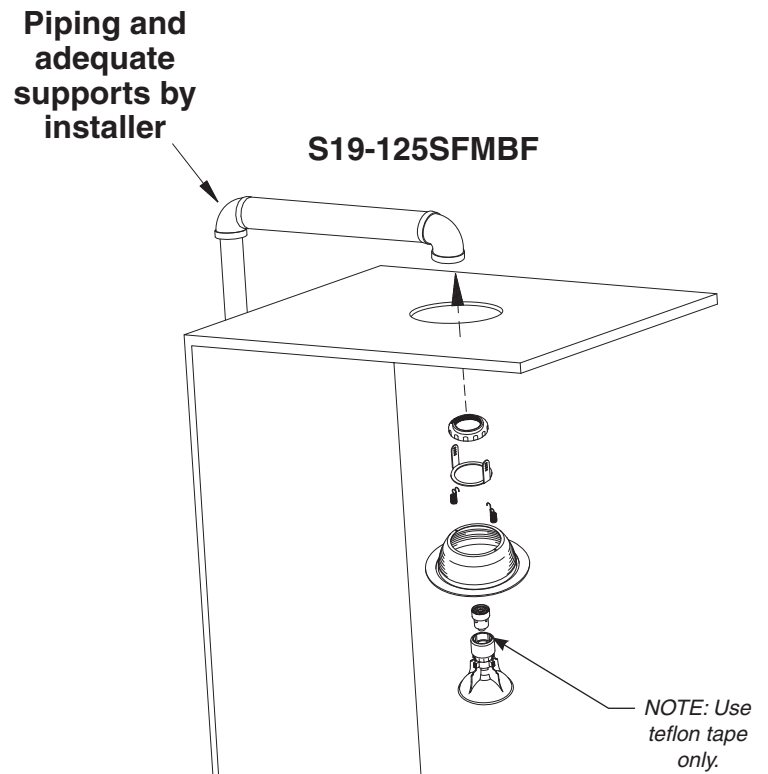
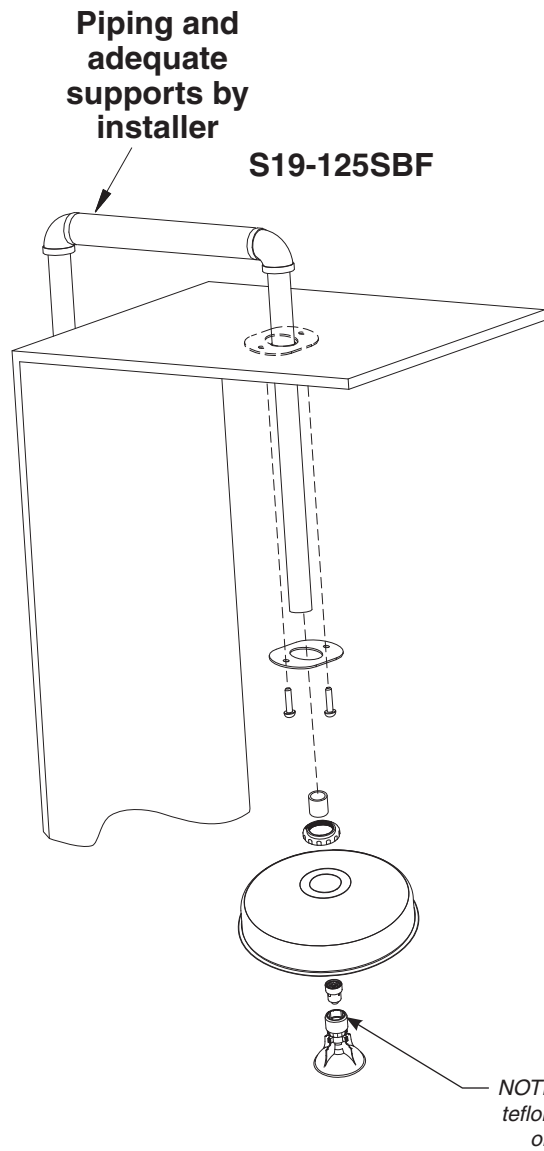
Front View



1 Rough-ins



2 Installation



3 Connect Water Supply

