

S19-2000

Installation and Maintenance Instructions

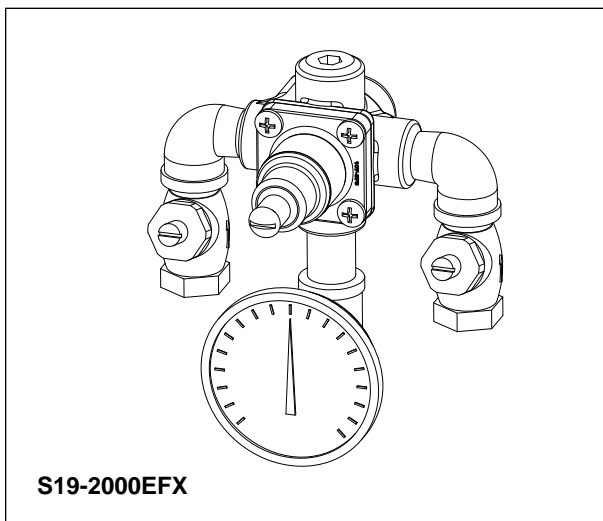
Instructions pour l'installation et
l'entretien

Instrucciones para la instalación y
mantenimiento

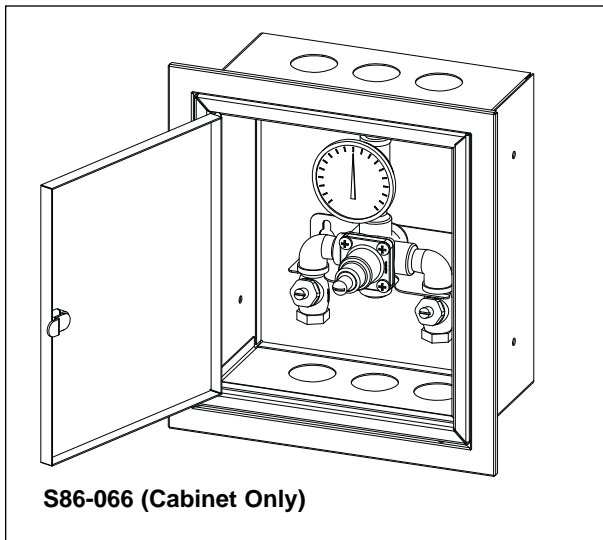
**Bradley EFX 8 Thermostatic Mixing Valve
with Optional Cabinet
Model S19-2000, S19-2000EFX Series**

**Robinet thermostatique mélangeur EFX 8
avec cabinet facultatif
Bradley modèle S19-2000, S19-2000EFX**

**Válvula mezcladora termostática EFX 8
con armario opcional
Bradley modelo S19-2000, S19-2000EFX**



S19-2000EFX



S86-066 (Cabinet Only)

Bradley 

Table of Contents

Pre-Installation Information	2	Recirculation Instructions	6
Valve Installation Instructions.....	3	Maintenance	7-8
Recess-Mounted Cabinet Installation	4	Troubleshooting	8-9
Surface-Mounted Cabinet Installation	5	Parts Breakdown and Service Kits.....	10

Pre-Installation Information

Overview

Valve: The EFX 8 Thermostatic Mixing Valve (Model S19-2000) is designed for use with face and eye washes. Model S19-2000EFX is designed for use with S19-292. The valve consists of a liquid-filled thermal motor and a piston control mechanism with positive shut-off of hot when cold water supply is lost to prevent scalding. The valve allows cold flow in the event of loss or interruption of the hot water supply or failure of the thermostat. The valve may be mounted in any position.

The maximum inlet temperature of the valve is 180°F (82°C), with a recommended inlet temperature of 120°F–140°F (49°C–60°C). The valve has a maximum operating pressure of 125 PSI (860 kPa).

Cabinet: The optional recess-mounted or surface-mounted cabinet (For use with S19-2000 only) is constructed of 18-gauge stainless steel with a 16-gauge stainless steel door. The cabinet finish is either stainless steel or baked white enamel. The optional cabinet window is made of Plexiglass.

Supplies recommended for installation

- lockable shut-off on the outlet if tempered water is supplied to one or more remote showers
- lockable shut-off on the inlets/supplies
- (6) 1/4" wall anchors and fasteners for surface-mounted cabinet
- (4) 1/4" fasteners (and wall anchors, if necessary) for recess-mounted cabinet
- unions on all connections to facilitate removal of valve

Tools required for installation

- 5/32" Allen key key (for temperature adjustment)

Tools required for maintenance/troubleshooting

- blade screwdriver (for stop/check cover screw removal)
- 3/4" wrench (for acorn nut removal)
- 15/16" socket wrench and needle-nose pliers (for piston liner removal)
- 1/2" deep well socket wrench (for piston assembly's upper seat removal)

Bradley Warranty Information

Product warranties may be found under "Product Information" on our website at www.bradleycorp.com

Installation Instructions for Valve

⚠ CAUTION: If optional cabinet is to be used, the cabinet must be mounted before the valve is installed. If using the S19-2000, please refer to the cabinet mounting instructions on pages 4-5. If using the S19-2000EFX, please refer to the mounting instructions supplied with the cabinet.

Note: Flush the supply lines before beginning installation.

Note: When the stop/check valves are in the closed position, the stem for the stop/check will be 1/4" above the stem nut (see Figure 1). When the stop/check valves are in the open position, the stem will extend out approximately 1/2" (13 mm) from the stem nut.

1. Connect the hot and cold valve supply inlets to the appropriate hot and cold supply piping.
2. Connect the mixed valve supply outlet from the valve to the tempered supply piping.
3. Pressurize the thermostatic mixing valve and check for pipe leaks.
4. Slowly open the outlet valve to fill the piping system.
5. Check the temperature when approx. 3-5 GPM water flow is reached (equivalent to one eye wash or face wash) and adjust if necessary (the range of the valve is 65°F–95°F (18°C–35°C). To adjust the temperature, follow the procedure below:
 - remove the top screw to expose the set screw
 - using a 5/32" hex-head Allen key, turn the set screw **counterclockwise** to **increase** the temperature or **clockwise** to **decrease** the temperature.

Note: The standard preset factory temperature setting is 85°F (29°C). Consult proper medical and/or safety authorities for the optimum temperature recommended for your particular application.

6. Shut the hot water inlet off by closing either the hot water check valve or inlet valve. While the hot water supply is turned off, check to make sure the cold water is flowing properly. If the cold water is flowing properly, reopen the hot water supply.
7. Shut the cold water inlet off by closing either the cold water check valve or inlet valve. While the cold water supply is off, check to make sure that the hot water flow has shut down.
8. Test the system weekly (turn on the water supply and check for constant control of the desired set temperature).

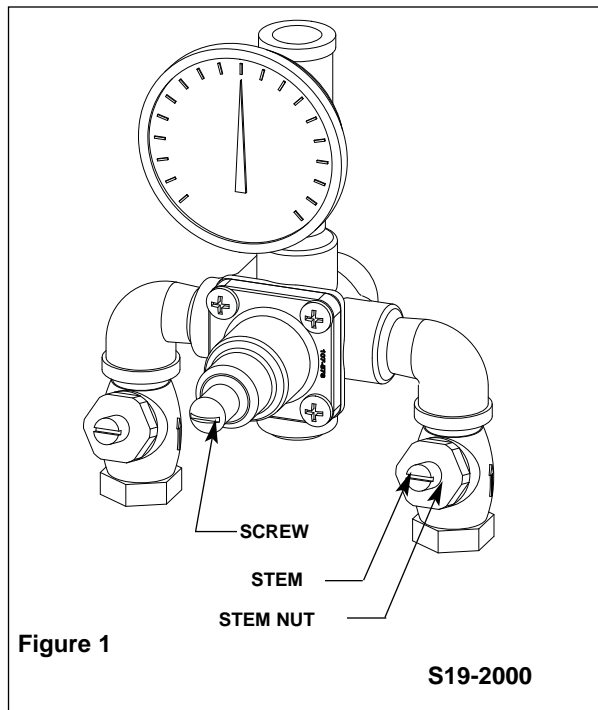


Figure 1

S19-2000

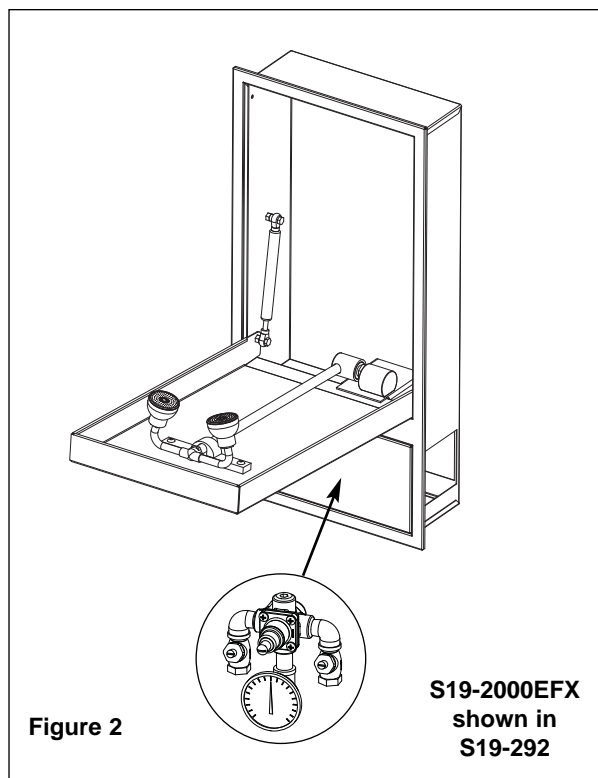


Figure 2

S19-2000EFX
shown in
S19-292

Installation Instructions: Valve with Optional Recess-Mounted Cabinet

Note: Flush the supply lines before beginning installation.

1. Rough in a 11-1/2" W x 13" H hole in the wall for the cabinet (see Figure 3).
2. Measure and mark the cabinet mounting hole locations at the dimensions shown in Figure 3. Install four 1/4" wall anchors, if required (supplied by installer).
3. Insert the cabinet into the wall opening and secure into place with four 1/4" wall fasteners (supplied by installer).
4. Insert the valve into the bracket in the cabinet (right side of the valve goes in first). Install the valve, elbows and stops onto the inlet and outlet piping.
5. Continue with the valve installation procedure found on page 3.

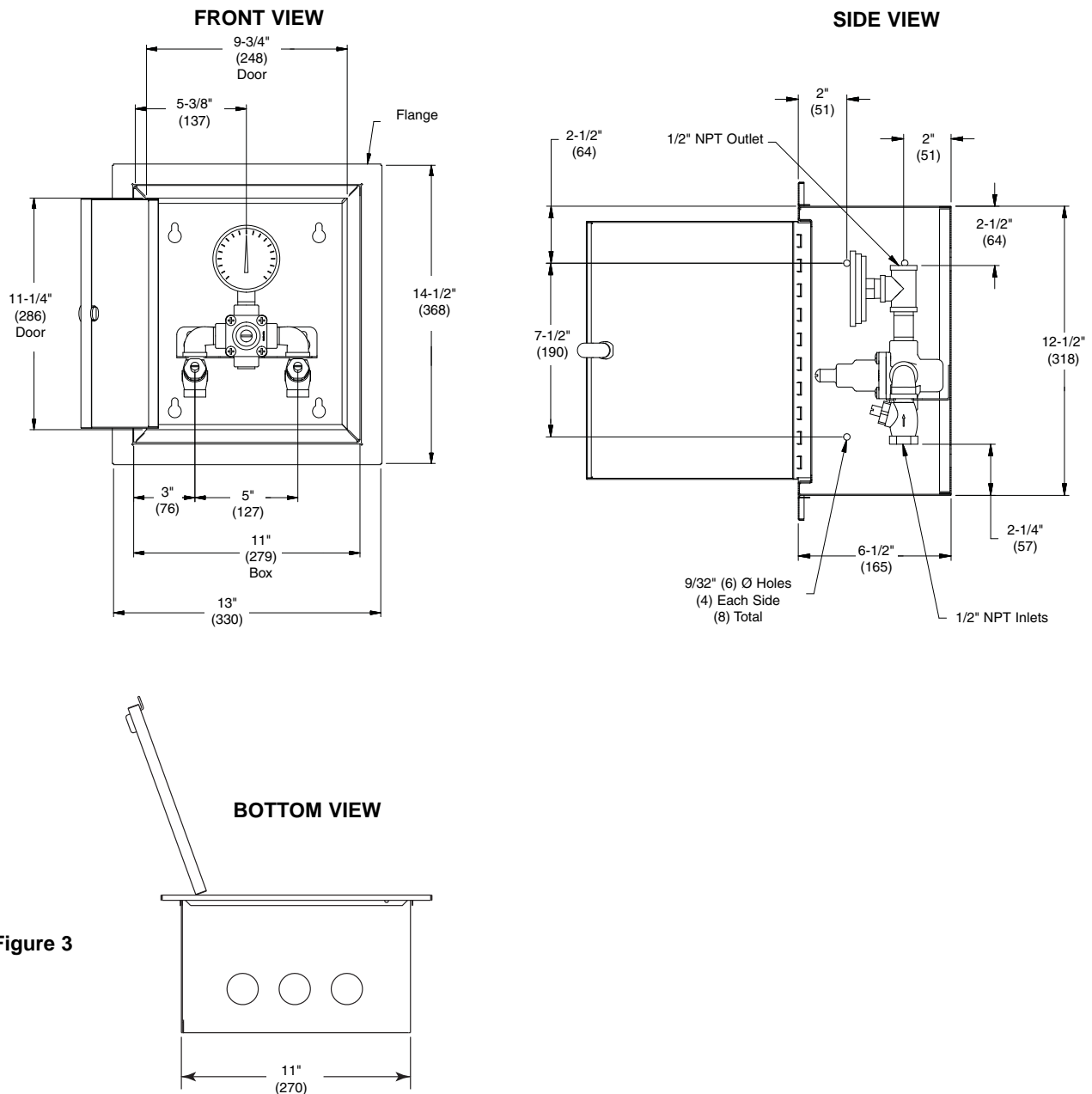


Figure 3

Installation Instructions: Valve with Optional Surface-Mounted Cabinet

Note: Flush the supply lines before beginning installation.

1. Measure and mark the cabinet mounting hole locations at the dimensions shown in Figure 4. Install six 1/4" wall anchors (supplied by installer).
2. Position the cabinet onto the wall and secure into place with six 1/4" wall fasteners (supplied by installer).
3. Insert the valve into the bracket in the cabinet (right side of the valve goes in first). Install the valve, elbows and stops onto the inlet and outlet piping.
4. Continue with the valve installation procedure found on page 3.

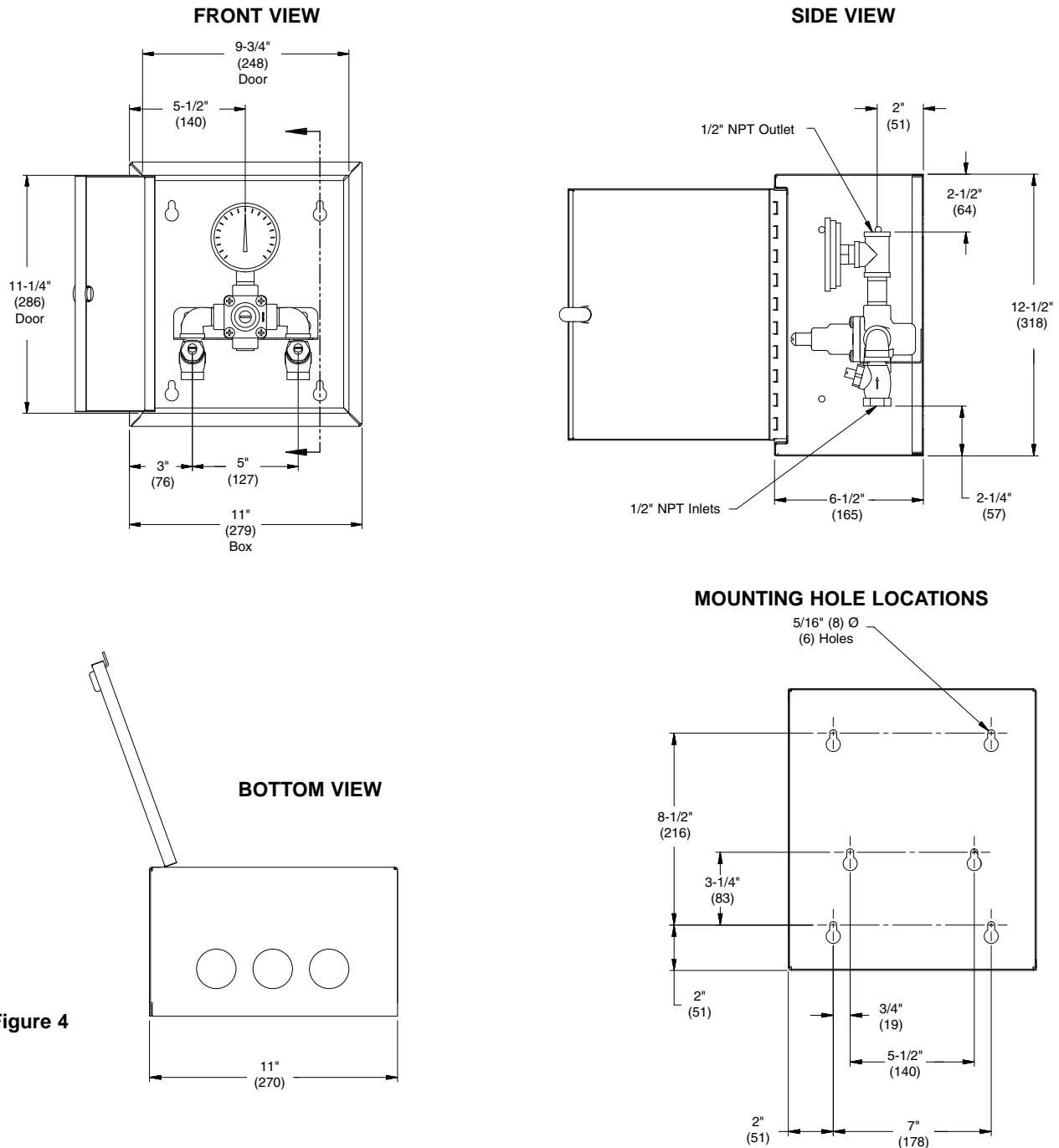
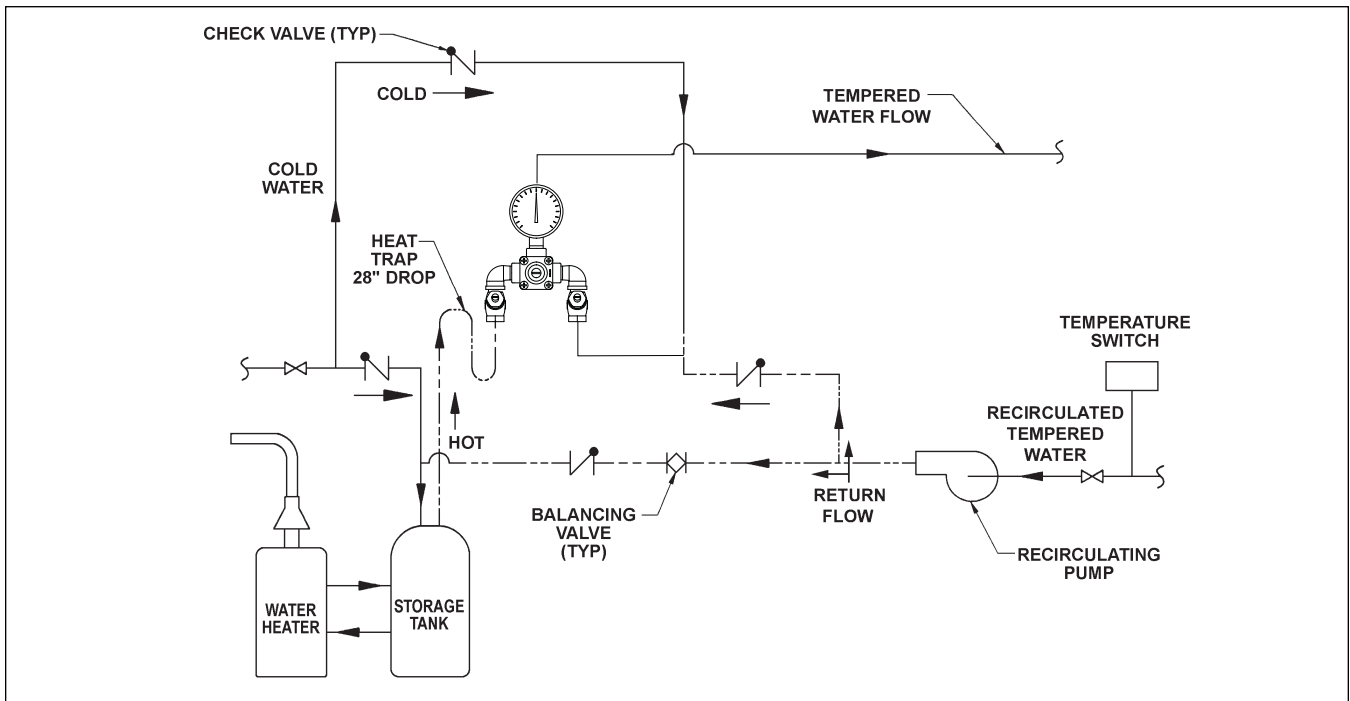


Figure 4

Recirculation Diagram



Recirculation Instructions

Note: Recirculating the water in the system provides constant regulation of the water temperature. Flush the supply lines thoroughly after completing installation. Close off all fixtures and label them as not available for use during the recirculating process.

1. Turn off the recirculating pump and turn on the water supply (a water flow rate of 3-5 GPM is required).
2. Let the water run through the system until a consistent temperature is obtained. If you do not obtain the required temperature, refer to procedure #6 on page 3 for temperature readjustment.
3. As soon as the water reaches the proper temperature, turn on the recirculating pump (make certain the proper system temperature has been achieved before proceeding).
4. Check the water temperature at the return pump. If the temperature exceeds the appropriate level by 2°F, adjust the temperature high-limit switch (this will turn off the pump). Wait until the return water temperature is 5°F below the appropriate level and adjust the low-limit switch (this will turn the pump back on).
5. Turn the balancing valve until it is completely open.
6. Turn off all fixtures and make sure there is no water running through the system (the cold inlet pipe should feel warm to the touch).
7. Let the system run for thirty minutes or longer without water. If, after thirty minutes, the water temperature increases, you may readjust the temperature by slowly closing the balancing valve until the appropriate temperature is reached.

Thermostatic Mixing Valve Maintenance

For maximum efficiency, your thermostatic mixing valve requires a minimum amount of maintenance. Follow the procedures outlined below to achieve highest performance.

Check the piston for smooth movement

To check the valve's piston for free and smooth movement, follow the procedures outlined below.

1. Remove the valve's top cap and thermostat (see Figure 5).
2. Push down on the pushrod (the pushrod should move approximately 3/8") (see Figure 6). If the movement is not as it should be, the piston is not moving freely and needs to be cleaned along with the piston liner. Clean the piston and liner following the method outlined below:
 - remove the top cap and thermostat
 - using a 15/16" socket wrench, loosen the liner from the valve body and lift the liner out with a needle-nose pliers
 - disassemble the piston assembly components as shown in Figure 7 (use a 1/2" deep-well socket to remove the upper seat)
 - any cleaner suitable for brass and stainless steel may be used (if cleaning with suitable cleaner is not sufficient to remove debris, a 400-grit sandpaper may be used to polish and hone the piston and liner)
 - reassemble the piston assembly components and retest the piston.
3. If the piston moves freely, push the mechanism up and down several times to make sure the piston moves smoothly and consistently. If movement of the piston is not consistent, recheck the piston and liner for dirt and debris as described in procedure #2.
 - if the piston parts need to be replaced, contact your Bradley representative and ask for Piston/Liner Kit (part number S65-172).

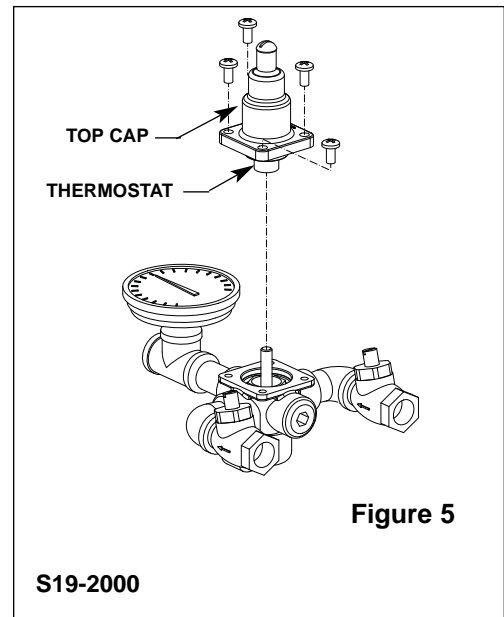


Figure 5

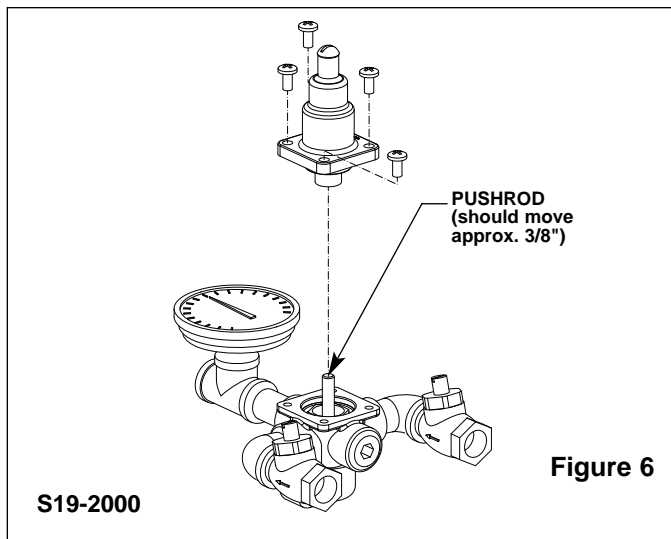


Figure 6

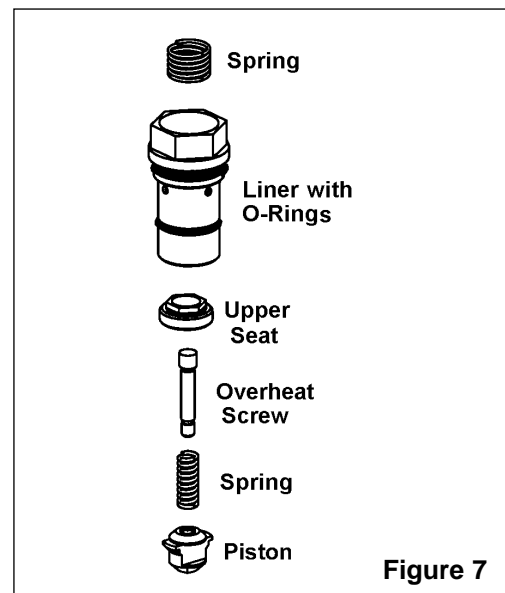


Figure 7

Thermostatic Mixing Valve Maintenance, *continued* . . .

Check the thermostat for proper operation

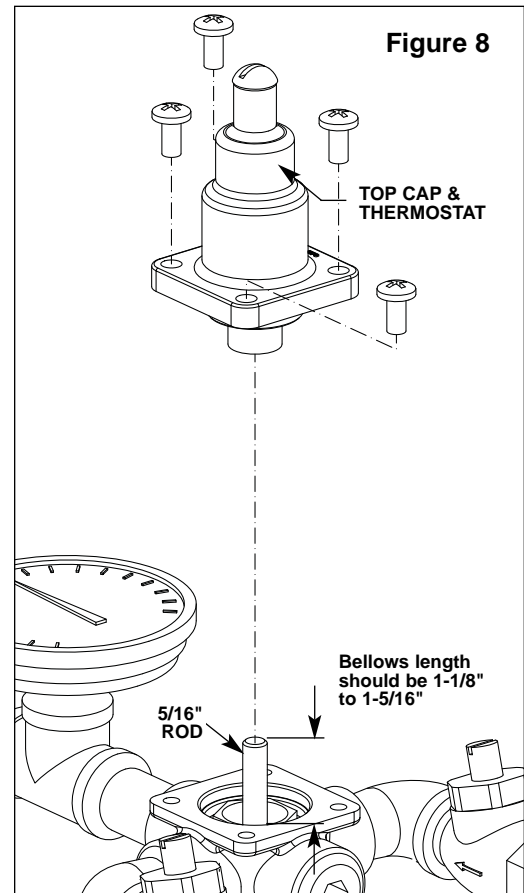
To check the valve's thermostat for proper operation, follow the procedures outlined below.

1. Remove the top cap and thermostat (see Figure 5, page 7).
2. Insert a 5/16" dia. rod into the thermostat bellows. Mark the length of the rod inside the bellows (see Figure 8).
3. Mark the length of the thermostat bellows (at room temperature, with 10 lb. of force, the bellows length should be approx. 1-1/4") (see Figure 8).
4. If the thermostat bellows length is not in the proper range, the thermostat must be replaced (it cannot be repaired). Contact your Bradley representative and ask for Thermostat Kit (part number S65-171).

Adjust the temperature

To adjust the valve's temperature to other than the factory preset, follow the procedures outlined below.

1. Turn on the water and let it run until at least 3 GPM is flowing through the valve.
2. Remove the top screw to expose the set screw.
3. Using a 5/32" hex-head Allen key, turn the set screw **counterclockwise** to **increase** the temperature or **clockwise** to **decrease** the temperature.
4. When the adjustment is complete, replace the cover screw and turn off the water.



Thermostatic Mixing Valve Troubleshooting

Note: Before attempting to troubleshoot the valve or disassemble the components, check for the following conditions:

- *make sure that the stop/check valves are fully open (the slotted stem must extend out approximately 1/4" (6 mm) from the valve cap) (see Figure 1 on page 3) and that all inlet and outlet shut-off valves are open*
- *make sure that the hot and cold inlet pipes are connected properly, and that there are no cross-connections or leaking stop/check valves*
- *check the hot water heater output to make sure that it is at least 15°F above the set temperature.*

Be sure to close the appropriate shut-off valves prior to disassembly of the valve and reopen the valves after inspection and repair is complete.

Problem: No hot water flow (cold water flow only)

Cause: The thermostat has failed and, subsequently, the safety shut-off has engaged (the shut-off valve has closed on either the inlets or outlet).

Solution: See "Check the thermostat for proper operation" above and follow the step-by-step procedure.

Thermostatic Mixing Valve Troubleshooting, *continued* . . .

Problem: Limited water flow

Cause: The inlet shut-off valve may be partially closed or there has been a significant decrease in water pressure.

Solution: See “Check the thermostat for proper operation” on page 8 and follow the outlined procedure.

Cause: The stop and check sections of the valve do not move freely.

Solution: Dirt and debris have collected on the stop/check valve seat, limiting the movement of the stop/checks. Remove the stop/checks, clean the seat and reassemble the valve (see Figure 9). The stop/checks may also be disassembled and cleaned. The components may be brushed with a small wire brush to remove debris. If the stop/checks need to be replaced, contact your Bradley representative and ask for Stop/Check Valve (part number S27-102 — Rough Brass, S27-292A — Chrome).

Problem: Improper water temperature

Cause: Recirculation is not balanced.

Solution: See “Recirculation instructions” on page 6 and follow the step-by-step procedure.

Problem: External leaks in the system

Cause: Either the NPT joints or the o-rings have been damaged.

Solution: Replace the NPT joints and/or o-rings where necessary. For replacement of o-rings, contact your Bradley representative and ask for O-Ring/Seal Kit (part number S65-170).

Problem: Temperature fluctuation

Cause: Thermostat is slowly failing.

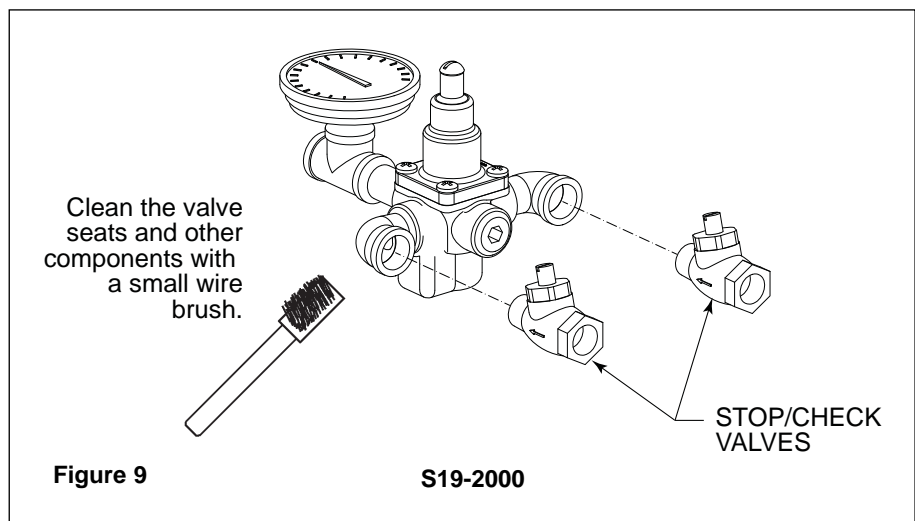
Solution: See “Check the thermostat for proper operation” on page 8 and follow the step-by-step procedure.

Cause: Recirculation is not balanced.

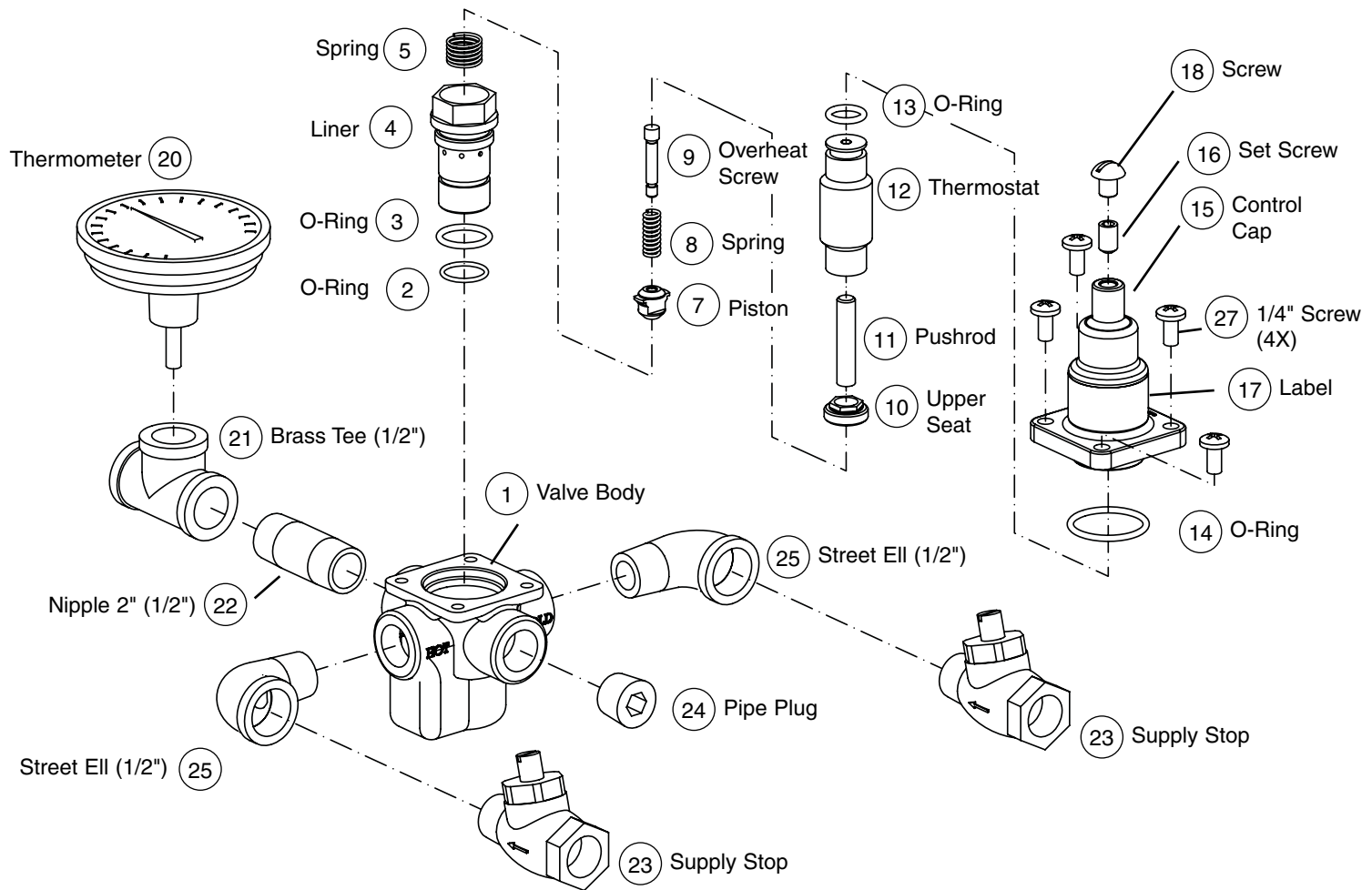
Solution: See “Recirculation instructions” on page 6 and follow the step-by-step procedure.

Cause: The inlet supply line to the mixing valve is being shared by other pieces of equipment that are used only periodically, such as laundry appliances and washdown stations. It may reduce the inlet pressure to the mixing valve to less than 3 PSI. The supply line size may not be large enough to supply both the valve and the other appliances.

Solution: Enlarge the supply line size, reconfigure the supply line or regulate the supply usage.



EFX 8: Parts Breakdown and Service Kits (S19-2000)



Thermostat Kit S65-171		
Item	Qty.	Description
12	1	Thermostat
13	1	O-Ring
14	1	O-Ring

O-Ring Kit S65-170		
Item	Qty.	Description
2	1	O-Ring
3	1	O-Ring
13	1	O-Ring
14	1	O-Ring

Center Section Kit S65-303		
Item	Qty.	Description
2	1	O-Ring
3	1	O-Ring
4	1	Liner
5	1	Spring
7	1	Piston
8	1	Spring
9	1	Overheat Screw
10	1	Upper Seat
11	1	Pushrod
12	1	Thermostat
13	1	O-Ring
14	1	O-Ring
15	1	Control Cap
16	1	Set Screw
17	1	Label
18	1	Screw
27	4	1/4 Screw

Piston & Liner Kit S65-172		
Item	Qty.	Description
2	1	O-Ring
3	1	O-Ring
4	1	Liner
5	1	Spring
7	1	Piston
8	1	Spring
9	1	Overheat Screw

Flexible Connection Lines for S19-2000EFX.
When used with S19-292 order P/N 269-653
(3 supplied with unit).

NOTE: Kit numbers for rough brass finish and standard range thermostat. Contact Bradley for other configurations.

NOTES: As of November 2001, the piston (Item 7) has replaced the seal holder and seal as a direct replacement.
 As of June 2008, the brass control cap (item 15) has been replaced by a plastic cap. All internal components are identical.

Table des matières

Information avant l'installation.....	11	Directives pour la recirculation.....	15
Installation du robinet	12	Entretien.....	16-17
Installation du cabinet suspendu	13	Dépannage	17-18
Installation du cabinet de surface.....	14	Liste des pièces et des trousse de service.....	19

Information avant l'installation**Description**

Robinet : Le robinet thermostatique mélangeur EFX 8 (modèle S19-2000) est conçu pour être utilisé avec les douches faciales et oculaires (le modèle S19-2000EFX est conçu pour être utilisé avec le S19-292). Le robinet est constitué d'un moteur thermique rempli de liquide. Pour empêcher les échaudages, un mécanisme de contrôle à piston ferme automatiquement l'alimentation en eau chaude en cas de manque d'eau froide. Le robinet distribue un jet d'eau froide, en cas de perte ou d'interruption d'alimentation en eau chaude, ou en cas d'une panne du thermostat. Le robinet peut être installé dans n'importe quelle position. La température maximum à l'entrée du robinet est de 82°C (180°F), et la température recommandée à l'entrée est de 49° à 60°C (120° à 140°F). La pression d'opération maximum du robinet est de 860 kPa (125 psi).

Cabinet : Le module, à montage suspendu ou de surface, est construit en acier inoxydable de calibre 18, avec une porte en acier inoxydable de calibre 16. La finition du cabinet est en acier inoxydable ou en émail cuit de couleur blanc. La fenêtre en Plexiglas est facultative.

Fournitures recommandées pour l'installation

- arrêt d'alimentation avec verrouillage aux sorties, si certaines douches du site sont alimentées en eau tempérée
- arrêt d'alimentation avec verrouillage aux entrées
- 6 ancrages muraux et attaches de 1/4" pour le cabinet de surface
- 4 attaches (et ancrages muraux si nécessaire) de 1/4" pour le cabinet suspendu
- raccords à tous les branchements, pour faciliter l'enlèvement du robinet

Outils nécessaires pour l'installation

- clé Allen de 5/32" (pour les ajustements de température)

Outils nécessaires pour l'entretien et le dépannage

- tournevis plat (pour enlever la vis du capuchon d'arrêt)
- clé 3/4" (pour enlever l'écrou à portée sphérique)
- clé à douille 15/16" et pinces à bec effilé (pour enlever la chemise du piston)
- clé à douille 1/2" pour puits profonds (pour enlever le siège supérieur de l'assemblage du piston)

Informations de garantie Bradley

Les garanties du produit figurent sous la rubrique « Informations techniques » sur notre site Internet à www.bradleycorp.com.

Installation du robinet



ATTENTION : Si l'armoire en option doit être utilisée, elle doit être montée avant de poser le robinet. Si le modèle S19-2000 est utilisé, voir les instructions de montage de l'armoire aux pages 13 et 14. Si le modèle S19-2000EFX est utilisé, voir les instructions de montage fournies avec l'armoire.

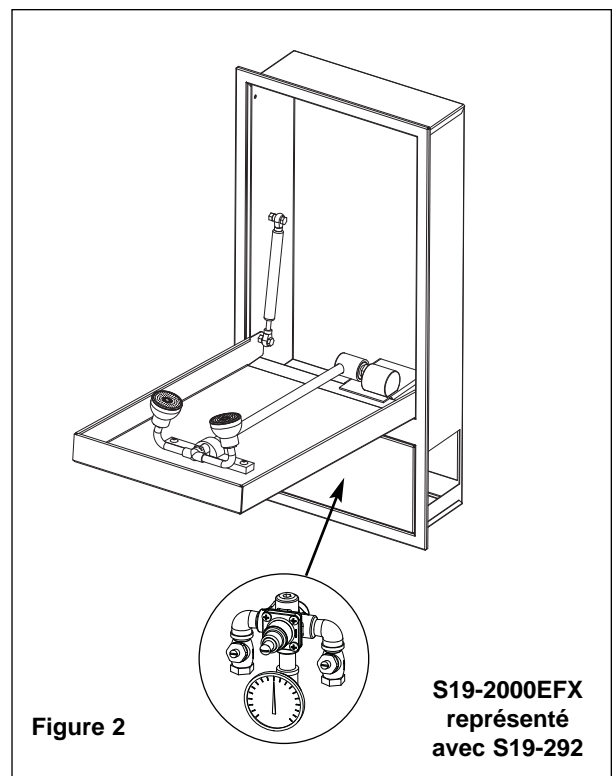
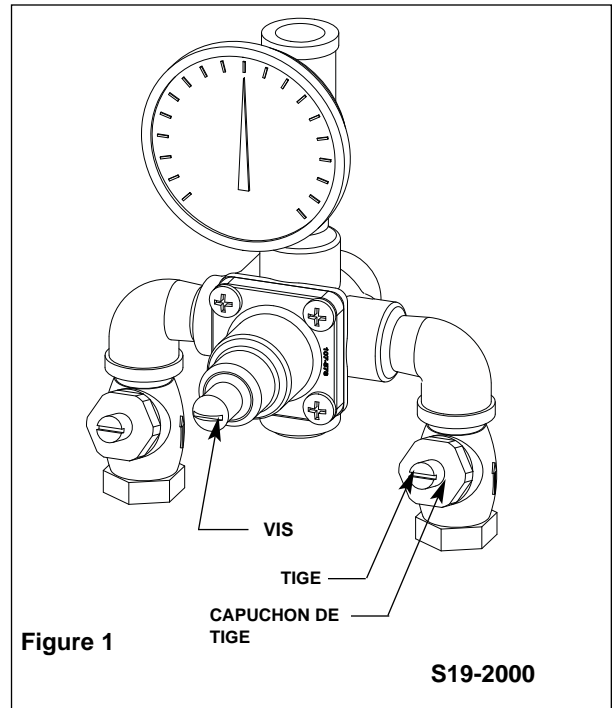
Note : Vider le tuyau d'approvisionnement en eau avant de débiter l'installation.

Note : Lorsque les clapets/robinets d'arrêt sont en position fermée, leur tige dépassera du capuchon de 6 mm (1/4") (voir Figure 1). Lorsque les clapets/robinets d'arrêt sont en position ouverte, leur tige dépassera du capuchon d'environ 13 mm (1/2").

1. Brancher l'eau chaude et froide d'entrée d'alimentation du robinet à la tuyauterie appropriée.
2. Brancher la sortie d'alimentation du robinet mélangeur à la tuyauterie d'alimentation en eau tempérée.
3. Pressuriser le robinet thermostatique mélangeur et vérifier s'il y a des fuites.
4. Ouvrir le robinet doucement, de manière à remplir le système de tuyauterie.
5. Lorsque qu'un débit de 12 à 19 litres/minute (3-5 gallons/minute) est atteint (équivalent à une douche faciale ou oculaire), vérifier la température et ajuster si nécessaire [la variation du robinet est de 18° à 35°C (65° à 95°F)]. Pour ajuster la température, procéder comme suit :
 - enlever la vis supérieure, afin d'exposer la vis d'ajustement
 - à l'aide d'une clé Allen hexagonale de 5/32", tourner la vis d'ajustement vers la **gauche** pour **augmenter** la température ou vers la **droite** pour **l'abaisser**.

Note : La température préréglée en usine est de 29°C (85°F). Consulter les autorités, médicales ou de sécurité, pour déterminer la température maximale recommandée pour votre application en particulier.

6. Fermer l'alimentation en eau chaude, soit par le clapet anti-retour ou l'entrée d'eau chaude. Alors que l'alimentation en eau chaude est fermée, vérifier si le jet d'eau froide est régulier. Si oui, ouvrir l'alimentation en eau chaude.
7. Fermer l'alimentation en eau froide, soit par le clapet anti-retour ou l'entrée d'eau froide. Alors que l'alimentation en eau froide est fermée, s'assurer que le jet d'eau chaud s'est arrêté.
8. Faire une vérification hebdomadaire du système (ouvrir l'alimentation en eau et vérifier si la température réglée pour l'eau est constante).



Installation du robinet avec cabinet suspendu facultatif

Note : Vider le tuyau d'approvisionnement en eau avant de débiter l'installation.

1. Pratiquer une ouverture initiale de 29 cm W x 33 cm H (11,5" x 13") dans le mur, pour y fixer le cabinet (voir Figure 3).
2. Mesurer et marquer l'emplacement des trous pour le montage, selon les dimensions indiquées à la Figure 3. Si nécessaire, installer quatre ancrages muraux de 1/4" (fournis par l'installateur).
3. Insérer le cabinet dans l'ouverture et le fixer en place avec quatre attaches murales de 1/4" (fournies par l'installateur).
4. Insérer le robinet dans le support, dans le cabinet (le côté droite du robinet en premier). Installer le robinet, coudes et robinets d'arrêt sur la tuyauterie d'entrée et de sortie.
5. Continuer l'installation du robinet selon les procédures indiquées à la page 12.

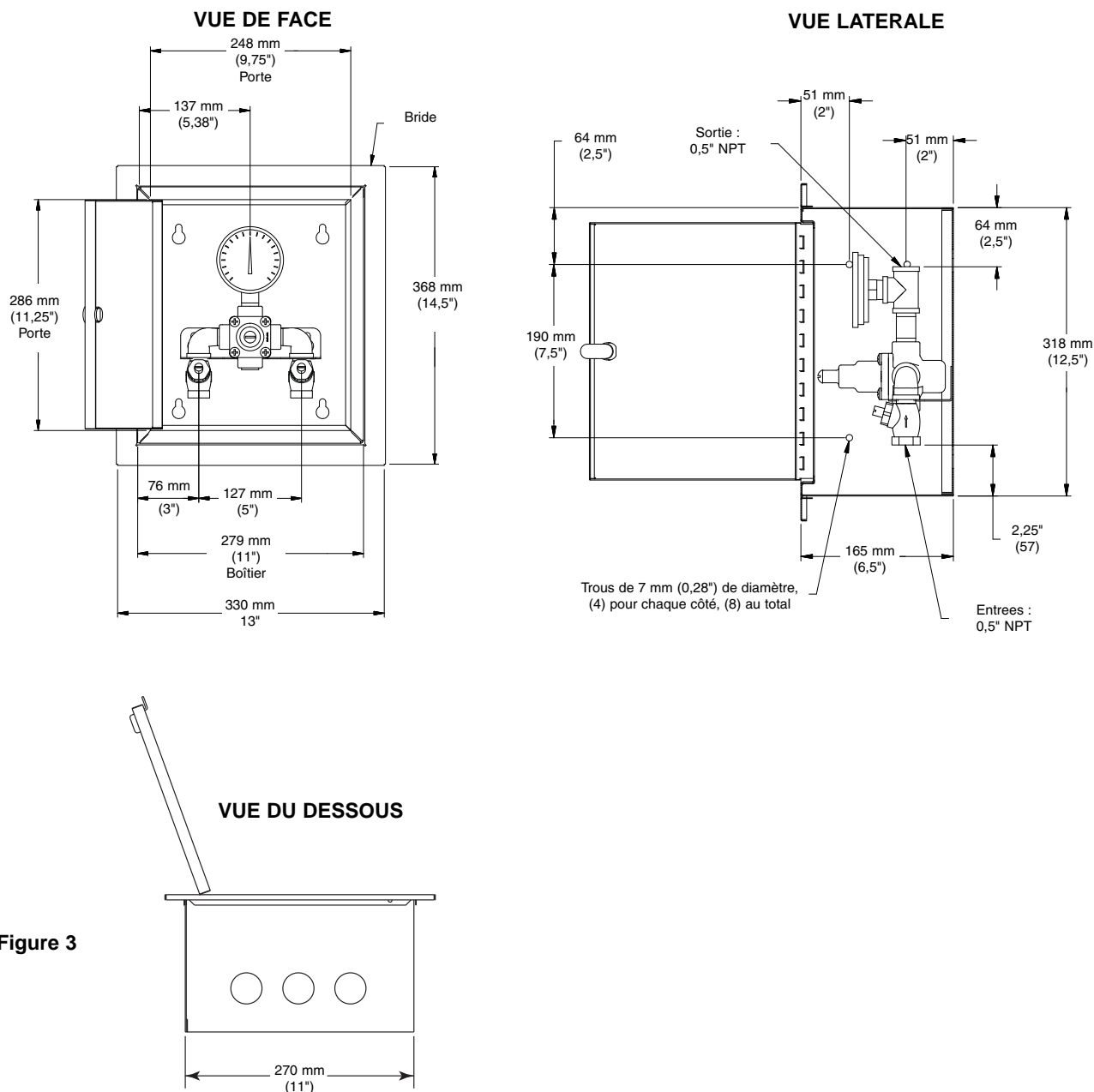


Figure 3

Installation du robinet avec cabinet de surface facultatif

Note : Vider le tuyau d'approvisionnement en eau avant de débiter l'installation.

1. Mesurer et marquer l'emplacement des trous pour le montage, selon les dimensions indiquées à la Figure 4. Installer six ancrages muraux de 1/4" (fournis par l'installateur).
2. Aligner le cabinet face aux trous de montage et le fixer en place avec six attaches murales de 1/4" (fournies par l'installateur).
3. Insérer le robinet dans le support, dans le cabinet (le côté droite du robinet en premier). Installer le robinet, coudes et robinets d'arrêt sur la tuyauterie d'entrée et de sortie.
4. Continuer l'installation du robinet selon les procédures indiquées à la page 12.

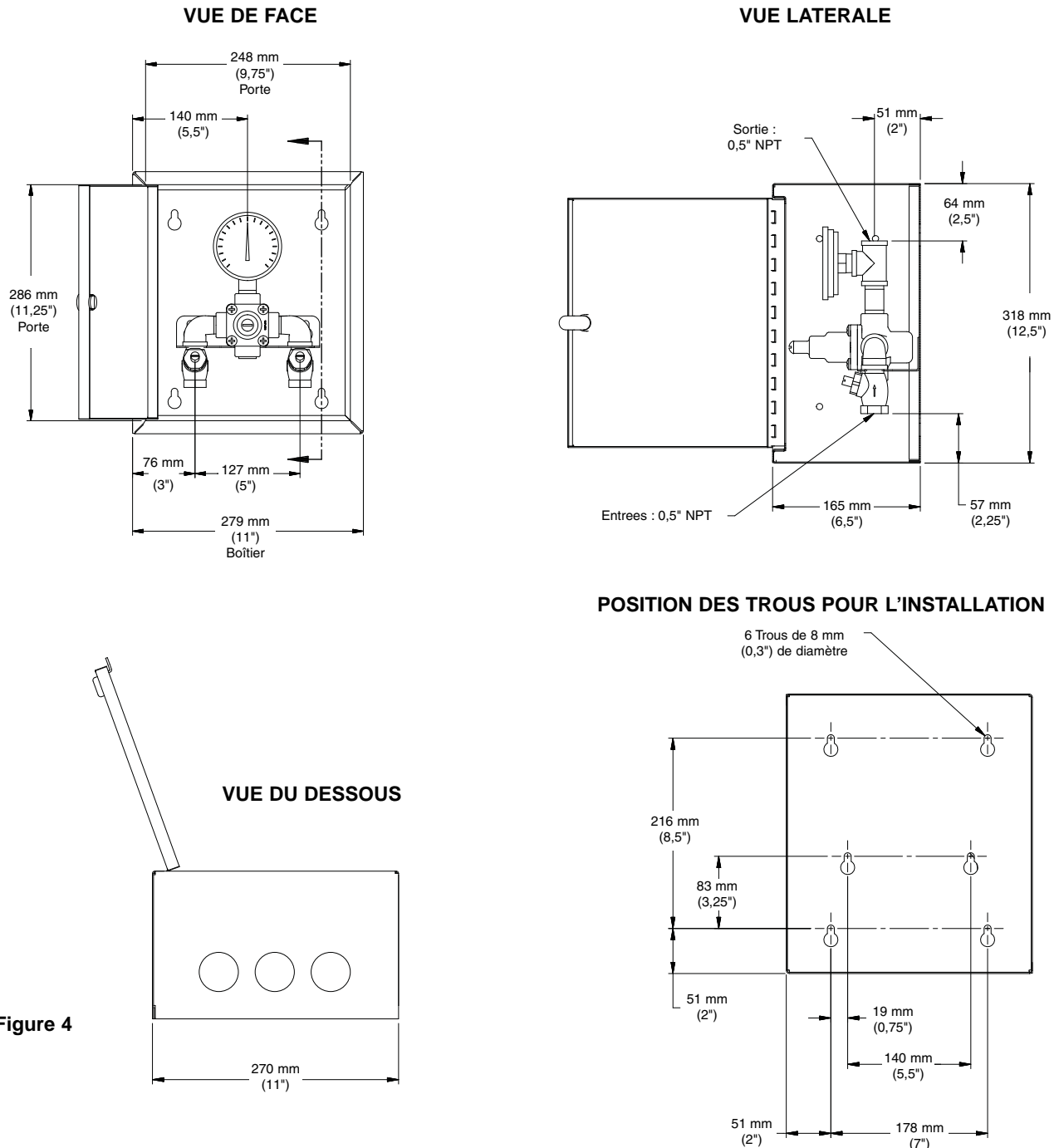
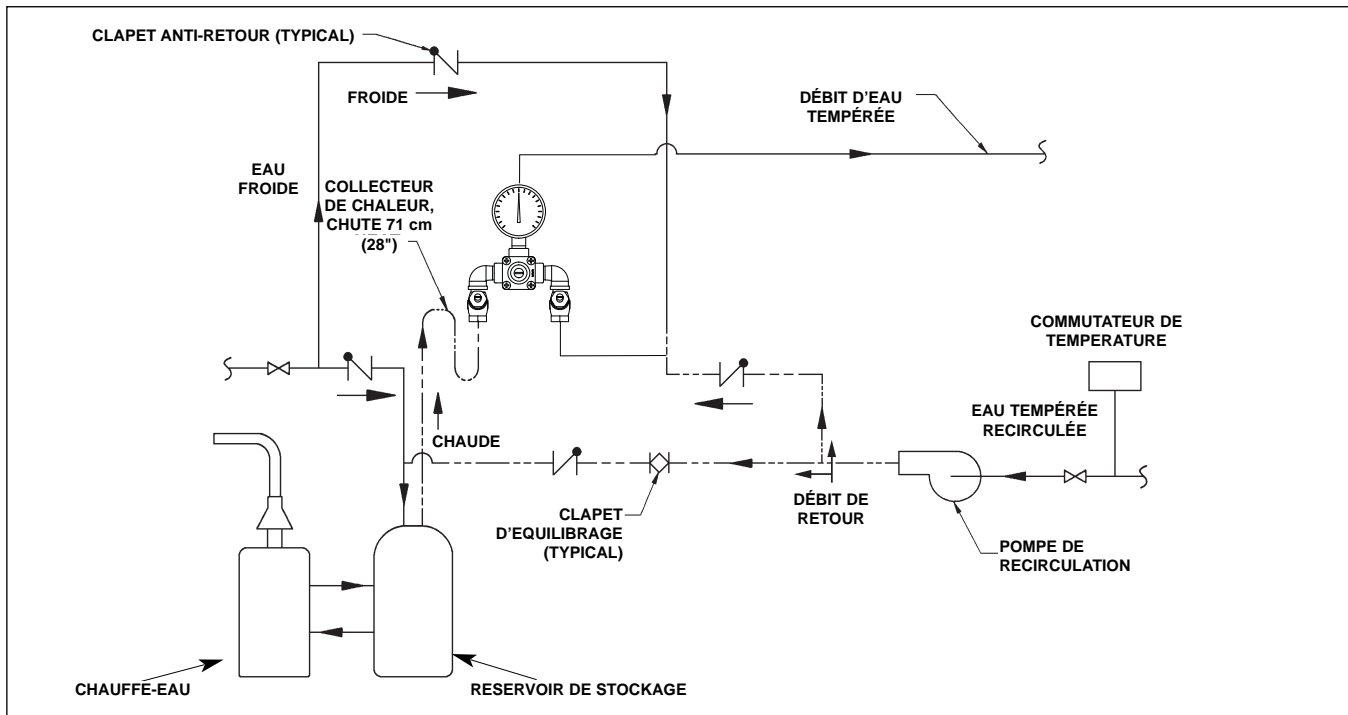


Figure 4

Schéma de recirculation



Directives pour la recirculation

Note : La recirculation d'eau dans le système fournit une régulation constante de la température de l'eau. Complètement vider le tuyau d'approvisionnement en eau après avoir terminé l'installation. Durant le processus de recirculation, fermer tous les douches de premier secours et les identifier comme étant occupés.

1. Fermer la pompe de recirculation et ouvrir l'alimentation en eau [un débit de 12 à 19 litres/minute (3 à 5 gallons/minute) est nécessaire].
2. Laisser circuler l'eau dans le système, jusqu'à l'atteinte d'une température cohérente. Si la température nécessaire n'est pas atteinte, se référer à l'étape 6 en page 12, pour le réajustement de la température.
3. Dès que l'eau atteint la température appropriée, démarrer la pompe de recirculation (s'assurer que la température appropriée du système est atteinte avant de procéder).
4. Vérifier la température d'eau de la pompe de retour. Si la température excède le niveau approprié par plus de 1°C (2°F), ajuster le commutateur pour l'élévation maximum de la température (la pompe cessera de fonctionner). Attendre que la température de l'eau se soit abaissée à 2,8°C (5°F) sous le niveau approprié et ajuster le commutateur pour le niveau minimum (la pompe va redémarrer).
5. Tourner le clapet d'équilibrage jusqu'à ce qu'il soit complètement ouvert.
6. Fermer tous les douches de premier secours et s'assurer qu'il n'y a pas d'eau en circulation dans le système (le tuyau d'entrée d'eau froide devrait être tiède au toucher).
7. Laisser le système fonctionner sans eau durant 30 minutes ou plus. Si après 30 minutes, la température de l'eau augmente, réajuster la température à son niveau approprié, en fermant légèrement le clapet d'équilibrage.

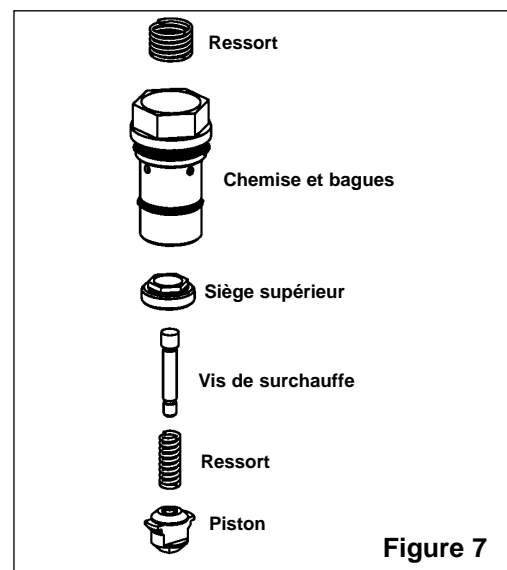
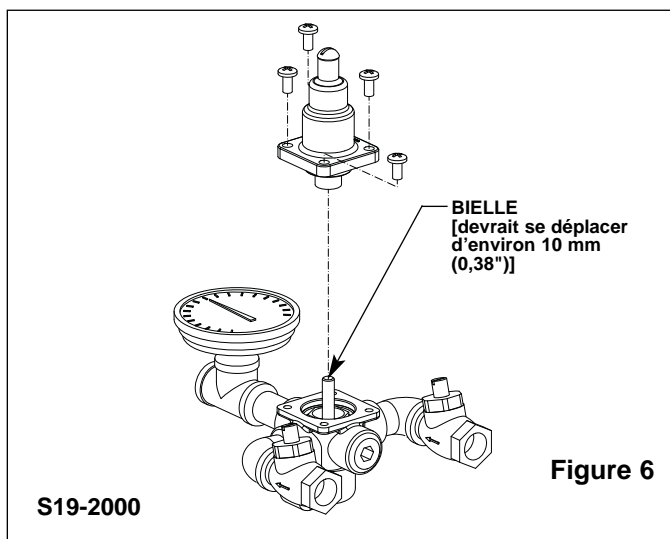
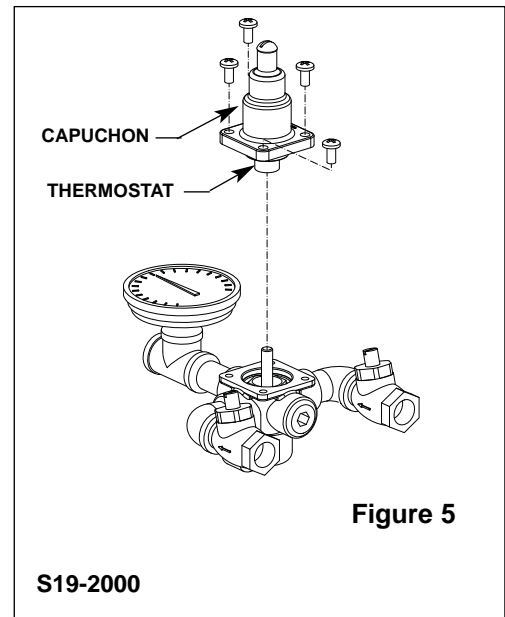
Entretien du robinet thermostatique mélangeur

Pour une efficacité maximum, le robinet thermostatique mélangeur nécessite peu d'entretien. Suivre les directives ci-dessous pour obtenir les meilleures performances.

Vérifier l'aisance de la course du piston

Pour vérifier l'aisance de la course du piston, procéder comme suit.

1. Enlever le capuchon de robinet et le thermostat (voir Figure 5).
2. Abaisser la bielle [devrait se déplacer d'environ 10 mm (0,38")] (voir Figure 6). Si le mouvement n'est pas ce qu'il devrait être, la course du piston ne se fait pas librement et nécessite un nettoyage, de même que la chemise du piston. Nettoyer le piston et sa chemise selon la méthode suivante :
 - enlever le capuchon et le thermostat
 - à l'aide d'une clé à douille 15/16", dévisser légèrement la chemise du corps du robinet et sortir la chemise avec des pinces à bec effilé
 - démonter les composantes du piston tel qu'indiqué dans la Figure 7 (utiliser la clé à douille 1/2" pour enlever le siège supérieur)
 - tout nettoyeur convenant au laiton et à l'acier inoxydable, peut être utilisé (si le nettoyage ne suffit pas à enlever les débris, un papier sablé 400 peut être utilisé pour polir et affiler le piston et sa chemise)
 - assembler de nouveau les composantes du piston et refaire un autre test du piston.
3. Si la course du piston se fait librement, pousser le mécanisme de haut en bas plusieurs fois, pour s'assurer que la course du piston se fait constamment en douceur. Si la course du piston ne se fait pas en douceur, vérifier à nouveau le piston et sa chemise pour les saletés et les débris, tel qu'indiqué à l'étape 2.
 - si des pièces du piston doivent être remplacées, contacter votre représentant Bradley et demander la trousse Piston/Chemise (pièce numéro S65-172).



Entretien du robinet thermostatique mélangeur, suite

Vérification du fonctionnement approprié du thermostat

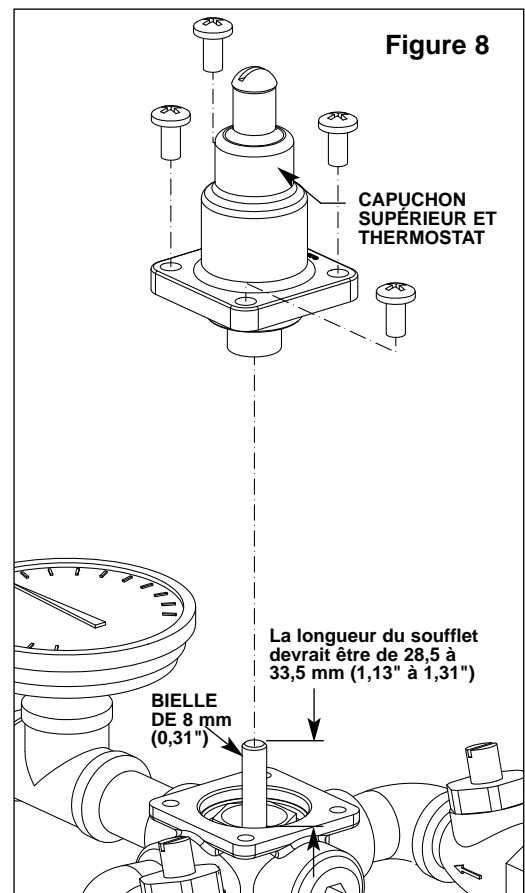
Pour vérifier si le thermostat du robinet a un fonctionnement approprié, procéder comme suit.

1. Enlever le capuchon et le thermostat (voir Figure 5, page 16).
2. Insérer une bielle de 8 mm (0,31") de diamètre dans le soufflet du thermostat. Noter la longueur de la bielle dans le soufflet (voir Figure 8).
3. Noter la longueur du soufflet du thermostat [à température de la pièce, avec 4,45 kg / 44,5 N (10 lb) de force, la longueur du soufflet devrait être d'environ 32 mm (1,25")] (voir Figure 8).
4. Si la longueur du soufflet du thermostat n'est pas appropriée, le thermostat doit être remplacé (il ne peut être réparé). Contacter votre représentant Bradley et demander la trousse Thermostat (pièce numéro S65-171).

Ajuster la température

Pour ajuster la température du robinet à un niveau différent de celui réglé en usine, procéder comme suit.

1. Ouvrir et laisser couler l'eau, jusqu'à ce qu'un débit de 12 litres/minute (3 gallons/minute) s'écoule par le robinet.
2. Enlever la vis supérieure, afin d'exposer la vis d'ajustement.
3. À l'aide d'une clé Allen hexagonale de 5/32", tourner la vis d'ajustement vers la **gauche** pour **augmenter** la température ou vers la **droite** pour **l'abaisser**.
4. Lorsque l'ajustement est complété, remettre la vis du chapeau et fermer l'eau.



Dépannage du robinet thermostatique mélangeur

Note : Avant de tenter un dépannage du robinet ou de démonter les composantes, vérifier les points suivants :

- s'assurer que les robinets d'arrêt sont complètement ouverts (la tige à encoches doit sortir du capuchon de robinet par environ 6 mm (0,25")) (voir Figure 1 à la page 12) et s'assurer également que tous les robinets d'entrées et de sorties sont ouverts
- s'assurer que les tuyaux d'entrée pour l'eau chaude et l'eau froide sont correctement branchés et qu'il n'y a aucun branchement croisé ou fuites aux robinets arrêt/contrôle
- vérifier la sortie du chauffe-eau pour s'assurer que la température est à au moins 8,3°C (15°F) au-dessus du niveau réglé.

S'assurer de fermer les robinets d'arrêt appropriés, avant de démonter le robinet. Les rouvrir quand l'inspection et la réparation sont complétées.

Problème : Aucun débit d'eau chaude (débit d'eau froide seulement)

Cause : Le thermostat est en panne, donc le robinet d'arrêt de secours s'est embrayé (le robinet d'arrêt a fermé soit les entrées ou soit les sorties).

Solution : Voir la section « Vérification du fonctionnement approprié du thermostat » ci-dessus et suivre les procédures qui y sont décrites.

Dépannage du robinet thermostatique mélangeur, suite

Problème : Débit d'eau limité

Cause : Le robinet d'arrêt d'entrée peut être partiellement fermé, ou il y a eu une baisse significative de la pression d'eau.

Solution : Voir la section « Vérification du fonctionnement approprié du thermostat » à la page 17 et suivre les procédures qui y sont décrites.

Cause : Les sections arrêt/contrôle du robinet ne bougent pas librement.

Solution : Des saletés et des débris se sont amassés sur le siège du robinet d'arrêt, limitant ainsi les mouvements des sections arrêt/contrôle. Enlever le robinet d'arrêt, nettoyer le siège, puis remonter le robinet (voir Figure 9). Le robinet d'arrêt peut également être démonté et nettoyé. Les composants peuvent être brossés avec une petite brosse métallique, pour enlever les débris. Si les robinets d'arrêt doivent être remplacés, contacter votre représentant Bradley et demander la trousse Arrêt/Contrôle (pièce numéro S27-102 — Laiton brut, S27-292A — Chrome).

Problème : Température d'eau irrégulière

Cause : Mauvais ajustement de la recirculation.

Solution : Voir les « Directives pour la recirculation » à la page 15 et suivre les procédures indiquées.

Problème : Fuites à l'extérieur du système

Cause : L'un des joints NPT ou les bagues sont endommagés.

Solution : Remplacer les joints NPT et/ou les bagues si nécessaire. Pour le remplacement des bagues, contacter votre représentant Bradley et demander la trousse Bagues/Joints (pièce numéro S65-170).

Problème : Variation de la température

Cause : Le thermostat sera bientôt en panne.

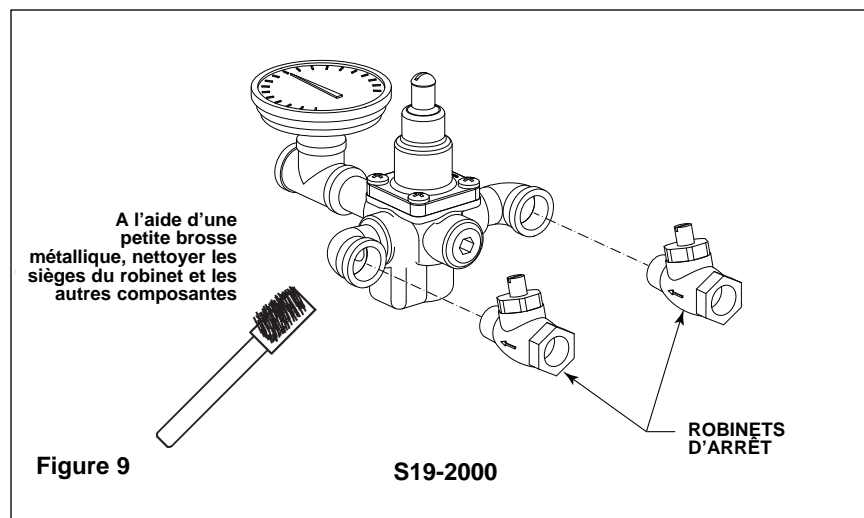
Solution : Voir la section « Vérification du fonctionnement approprié du thermostat » à la page 17 et suivre les procédures décrites.

Cause : Mauvais ajustement de la recirculation.

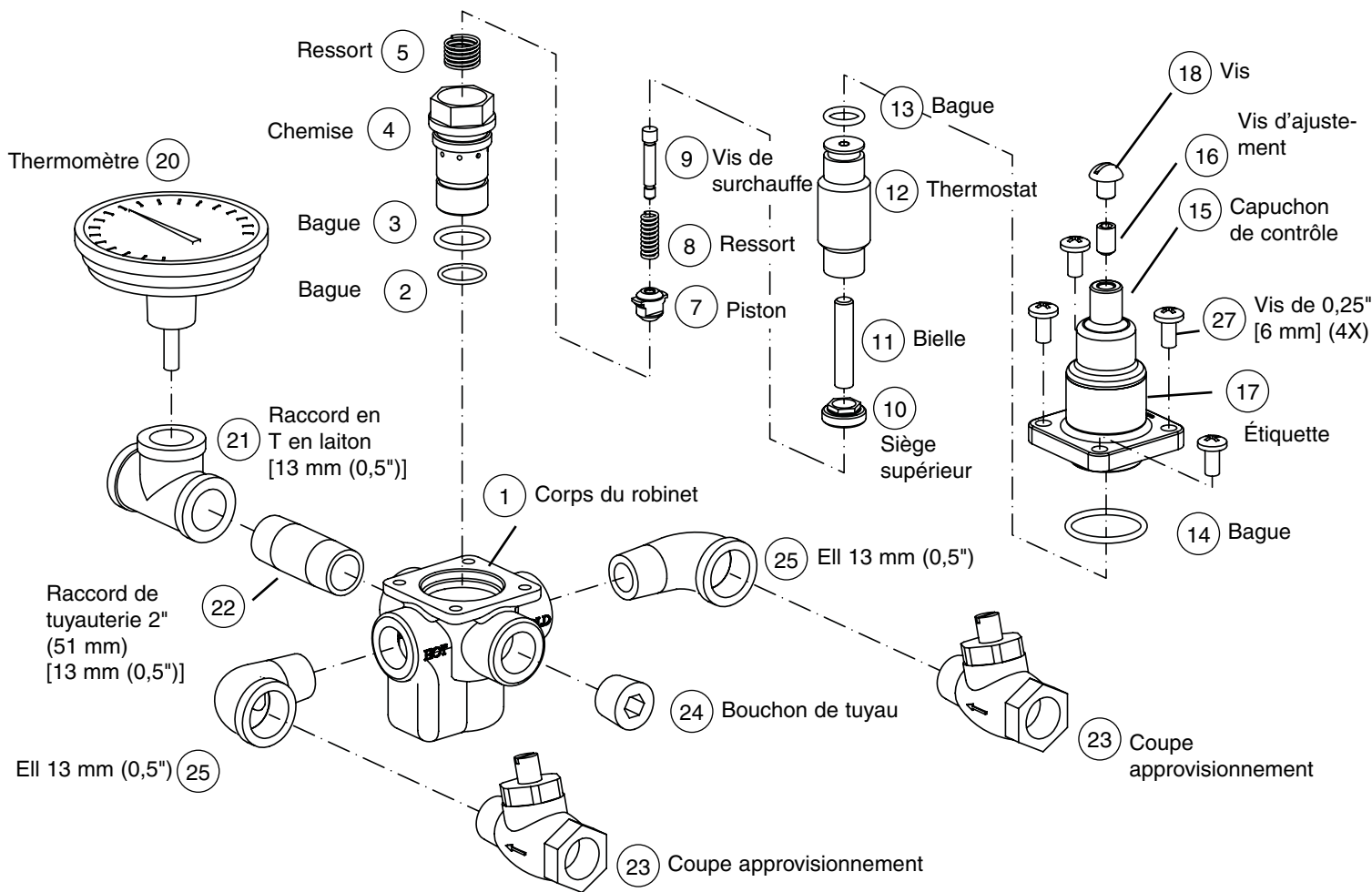
Solution : Voir les « Directives pour la recirculation » à la page 15 et suivre les procédures indiquées.

Cause : L'entrée d'alimentation du robinet mélangeur est partagée avec d'autres pièces d'équipement qui ne sont utilisées que périodiquement, tels appareils de blanchisserie ou stations de lavage. Cela peut réduire la pression d'entrée du robinet mélangeur à moins de 21 kPA (3 psi). La grosseur de la canalisation d'alimentation ne suffit peut-être pas à fournir le robinet et les autres équipements.

Solution : Installer une canalisation d'alimentation plus grosse, modifier la canalisation d'alimentation ou régulariser l'utilisation de l'alimentation.



EFX 8 : Liste des pièces et trousse de service (S19-2000)



Trousse Thermostat S65-171		
Pièce	Qté.	Description
12	1	Thermostat
13	1	Bague
14	1	Bague

Trousse Bague S65-170		
Pièce	Qté.	Description
2	1	Bague
3	1	Bague
13	1	Bague
14	1	Bague

Trousse Portion Centrale S65-303		
Pièce	Qté.	Description
2	1	Bague
3	1	Bague
4	1	Chemise
5	1	Ressort
7	1	Piston
8	1	Ressort
9	1	Vis de surchauffe
10	1	Siège supérieur
11	1	Bielle
12	1	Thermostat
13	1	Bague
14	1	Bague
15	1	Capuchon de contrôle
16	1	Vis d'ajustement
17	1	Étiquette
18	1	Vis
27	1	Vis de 0,25" (6 mm)

Trousse Piston/Chemise S65-172		
Pièce	Qté.	Description
2	1	Bague
3	1	Bague
4	1	Chemise
5	1	Ressort
7	1	Piston
8	1	Ressort
9	1	Vis de surchauffe

Conduites de raccordement souples pour S19-2000EFX.
Pour une utilisation avec S19-292, commander P/N 269-653 (3 fournies avec le robinet).

NOTE : Numéros de trousse pour la finition laiton brut et le thermostat standard. Contacter Bradley pour toute autre configuration.

NOTES : À compter de novembre 2001, le piston (repère 7) se substitue au support de joint et au joint en tant que remplacement direct. À compter de juin 2008, le capuchon de contrôle en laiton (repère 15) est remplacé par un capuchon en plastique. Toutes les pièces internes sont identiques.

Contenido

Información previa a la instalación.....	20	Instrucciones de recirculación.....	24
Instalación de la válvula.....	21	Mantenimiento	25-26
Instalación del armario empotrado.....	22	Resolución de problemas.....	26-27
Instalación del armario para montar en superficies ...	23	Lista de piezas y juegos para reparación	28

Información previa a la instalación

Generalidades

Válvula: La válvula mezcladora termostática EFX 8 (modelo S19-2000) está diseñada para ser usada con lavadores de rostro y de ojos (el modelo S19-2000EFX está diseñado para su uso con el modelo S19-292). La válvula consta de un motor térmico llenado de líquido. Para prevenir quemaduras, un mecanismo de control por pistón cierra automáticamente el suministro de agua caliente, en caso de falta de suministro de agua fría. La válvula permite el flujo de agua fría en caso de pérdida o interrupción del suministro de agua caliente o falla del termostato. La válvula se puede montar en cualquier posición.

La temperatura de entrada máxima de la válvula es de 82°C (180°F); se recomienda una temperatura de entrada de 49° a 60°C (120° a 140°F). La válvula tiene una presión de operación máxima de 860 kPA (125 psi).

Armario: El armario opcional para montar sobre la superficie o empotrado está construido de acero inoxidable de calibre 18 con una puerta de acero inoxidable de calibre 16. El acabado del armario puede ser de acero inoxidable o de esmalte al horno de color blanco. La ventana opcional del armario es de Plexiglás.

Materiales requeridos para la instalación

- cierre inmovilizable en la salida si se suministra agua tibia para una o más duchas localizadas a distancia
- cierre inmovilizable en las entradas/suministros
- (6) pernos de anclaje de 1/4 de pulg. y pernos para el armario de montar en superficie
- (4) pernos de 1/4 de pulg. (y pernos de anclaje, en caso de que sean necesarios) para los armarios empotrados
- uniones en todas las conexiones para facilitar el desmontaje de la válvula

Herramientas requeridas para la instalación

- llave Allen de 5/32 de pulg. (para ajustar la temperatura)

Herramientas requeridas para mantenimiento/repaciones

- destornillador de punta plana (para quitar el tornillo tope/retenedor de la tapa)
- llave de 3/4 de pulg. (para quitar la tuerca ciega)
- llave de cubo de 15/16 de pulg. y pinzas de punta de aguja (para quitar la camisa del pistón)
- llave de cubo de 1/2 de pulg. de alcance extendido (para quitar el asiento superior del ensamble del pistón)

Información de la garantía de Bradley

Las garantías del producto se pueden encontrar en "Información del producto" o en nuestro sitio Web www.bradleycorp.com.

Instalación de la válvula



PRECAUCION: Si se va a usar un armario opcional, debe montarlo antes de instalar la válvula. Si se usa el modelo S19-2000, consulte las instrucciones de montaje del armario en las páginas 22 y 23. Si se usa el modelo S19-2000EFX, por favor consulte las instrucciones que se proporcionan con el armario.

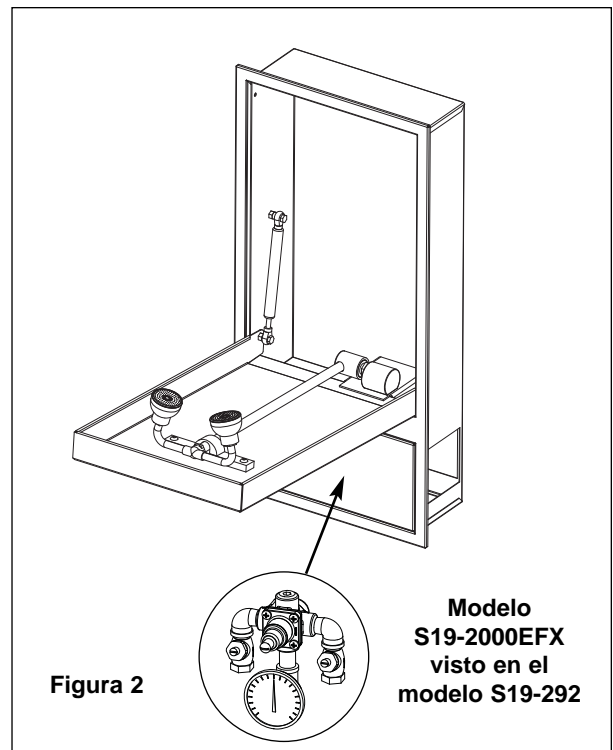
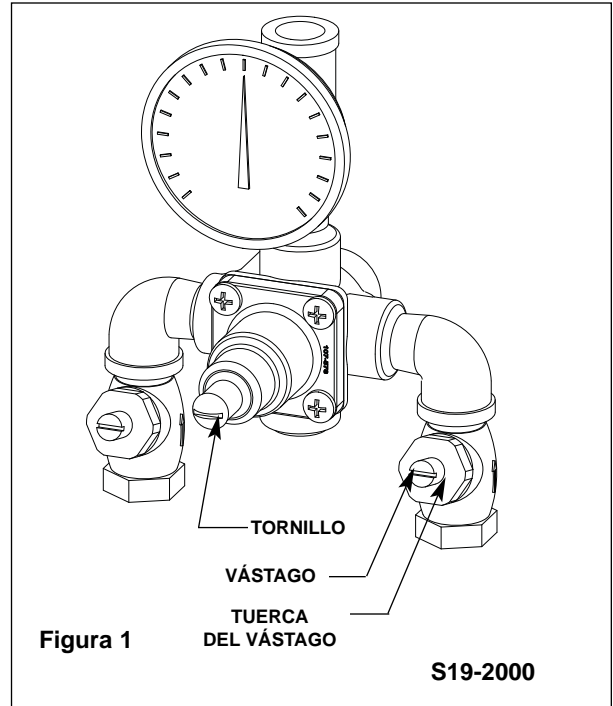
Nota: Lave con agua las líneas de suministro antes de empezar la instalación.

Nota: Cuando las válvulas de cierre/retención se encuentran en posición cerrada, el vástago de cierre/retención estará 6,3 mm (0,25 de pulg.) por sobre la tuerca del vástago (vea Figura 1). Cuando las válvulas de cierre/retención se encuentran en la posición abierta, el vástago se extenderá aproximadamente 13 mm (0,5 de pulg.) desde la tuerca del vástago.

1. Conecte las entradas de los suministros de agua caliente y fría de la válvula con la tubería correspondiente (caliente y fría).
2. Conecte la salida del suministro de la válvula mezcladora a la tubería del suministro de agua templada.
3. Presurice la válvula mezcladora termostática y verifique si existen fugas en la tubería.
4. Abra despacio la válvula de la salida para llenar el sistema de la tubería.
5. Verifique la temperatura cuando obtenga un flujo de agua de 12 a 19 l/min (3 a 5 galones/minuto) (el equivalente a un lavador de rostro o de ojos) y ajústela si es necesario [el intervalo de la válvula es de 18° a 35°C (65° a 95°F)]. Para ajustar la temperatura, realice el procedimiento siguiente:
 - quite el tornillo superior para exponer el tornillo de ajuste
 - usando una llave hexagonal Allen de 5/32 de pulg., gire el tornillo de ajuste a la **izquierda** para **aumentar** la temperatura o a la **derecha** para **disminuirla**.

Nota: El ajuste estándar de temperatura, fijado en la fábrica, es de 29°C (85°F). Consulte a las autoridades médicas o de seguridad apropiadas acerca de la temperatura óptima que se recomienda para su aplicación específica.

6. Cierre la entrada de agua caliente cerrando la válvula de retención o la válvula de admisión de agua caliente. Con el suministro de agua caliente cerrado, verifique que el agua fría fluya adecuadamente. Si el agua fría está fluyendo apropiadamente, abra nuevamente el suministro de agua caliente.
7. Cierre la entrada de agua fría cerrando la válvula de retención o la válvula de admisión de agua fría. Con el suministro de agua fría cerrado, verifique que el flujo de agua caliente se ha parado.
8. Ponga a prueba el sistema semanalmente (abra el suministro de agua y asegúrese de tener un control constante de la temperatura deseada).



Instalación de la válvula con armario empotrado opcional

Nota: Lave con agua las líneas de suministro antes de empezar la instalación.

1. Haga una abertura en la pared de 29 cm de ancho x 33 cm de altura (11,5 x 13 pulg.) para el armario (vea Figura 3).
2. Mida y marque las ubicaciones de los orificios de montaje según las dimensiones que se indican en la Figura 3. Instale cuatro pernos de anclaje de 1/4 de pulg., si se necesitan (suministrados por el instalador).
3. Coloque el armario en la abertura y fíjelo en el lugar con cuatro pernos de pared de 1/4 de pulg. (suministrados por el instalador).
4. Inserte la válvula en el portaválvula dentro del armario (el lado derecho de la válvula se inserta primero). Instale la válvula, los codos y los topes en la tubería de entrada y salida.
5. Siga el procedimiento descrito en la página 21 para la instalación de la válvula.

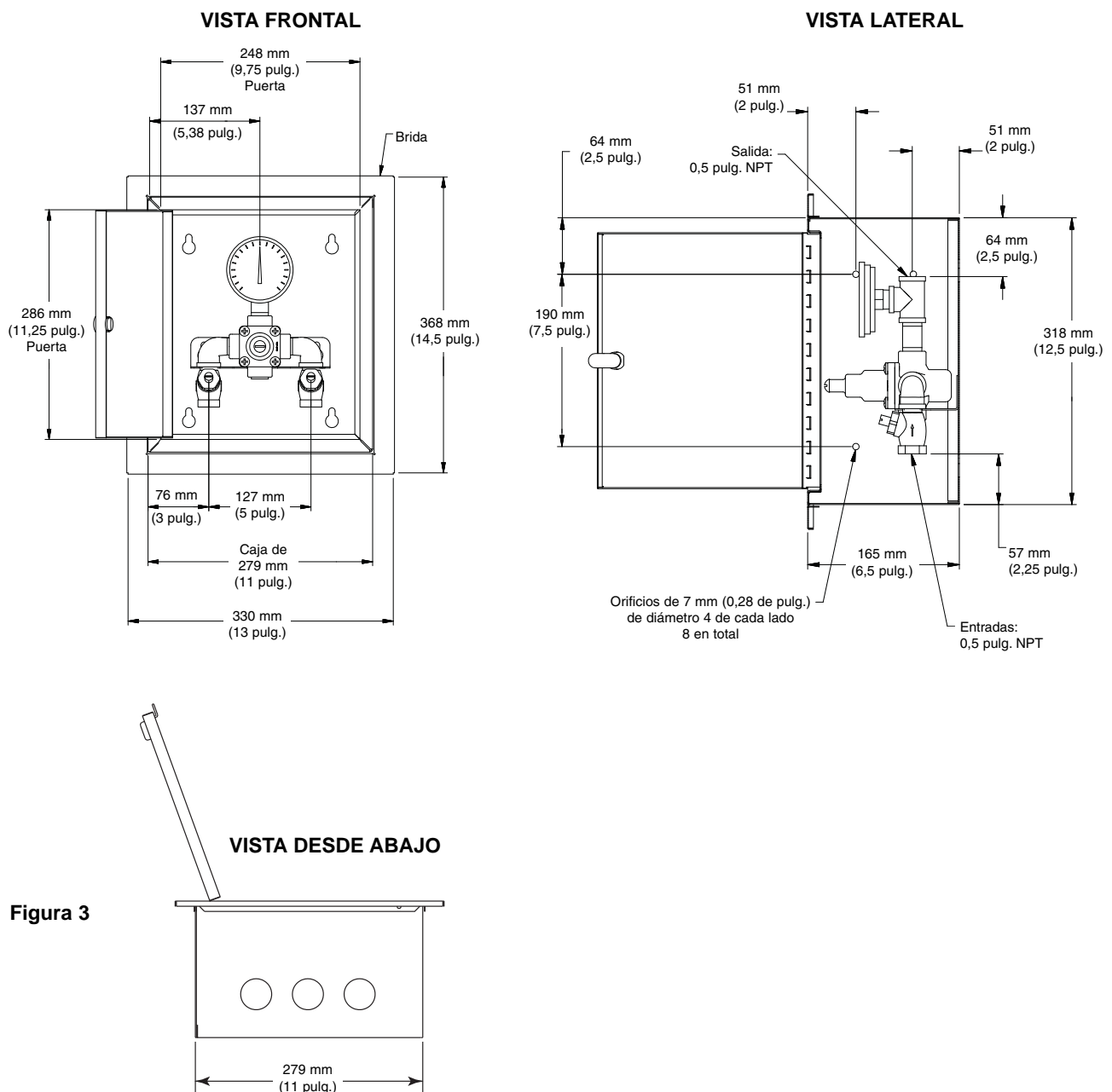
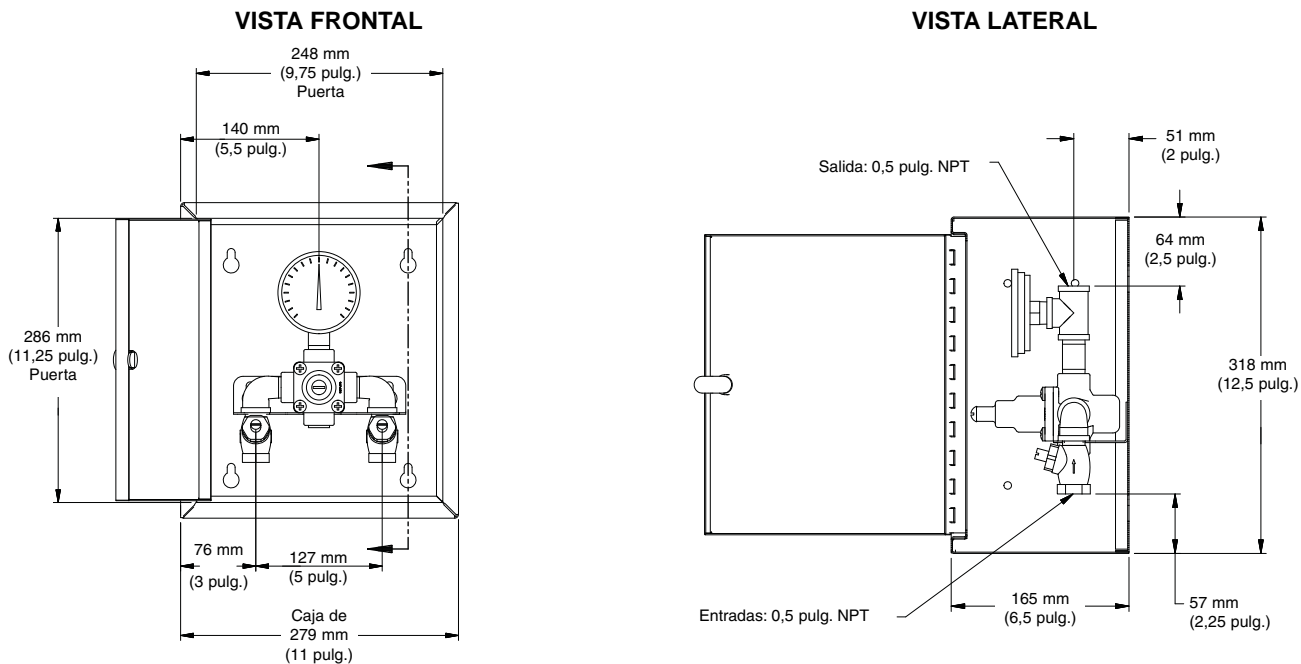


Figura 3

Instalación de la válvula con armario opcional para montar en superficies

Nota: Lave con agua las líneas de suministro antes de empezar la instalación.

1. Mida y marque las ubicaciones de los orificios de montaje según las dimensiones que se indican en la Figura 4. Instale seis pernos de anclaje de 1/4 de pulg. (suministrados por el instalador).
2. Coloque el armario en la pared y fíjelo en el lugar con seis pernos de pared de 1/4 de pulg. (suministrados por el instalador).
3. Inserte la válvula en el portaválvula dentro del armario (el lado derecho de la válvula se inserta primero). Instale la válvula, los codos y los topes en la tubería de entrada y salida.
4. Siga el procedimiento descrito en la página 21 para la instalación de la válvula.



UBICACIONES DE LOS ORIFICIOS DE MONTAJE

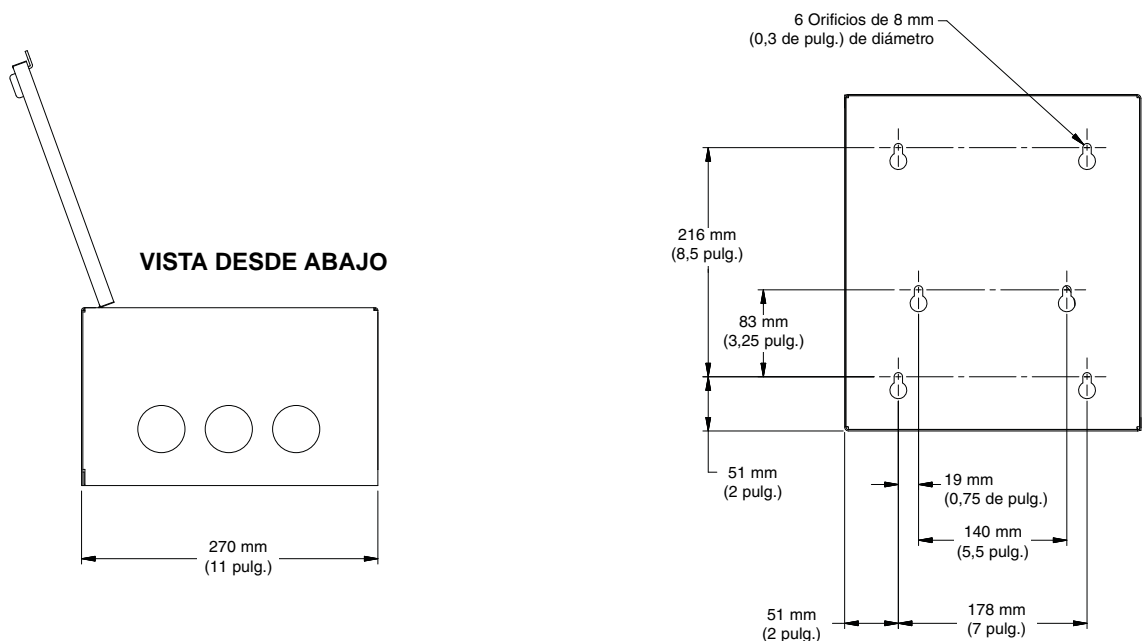


Figura 4

VISTA DESDE ABAJO

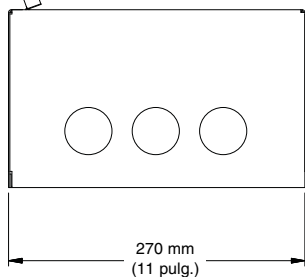
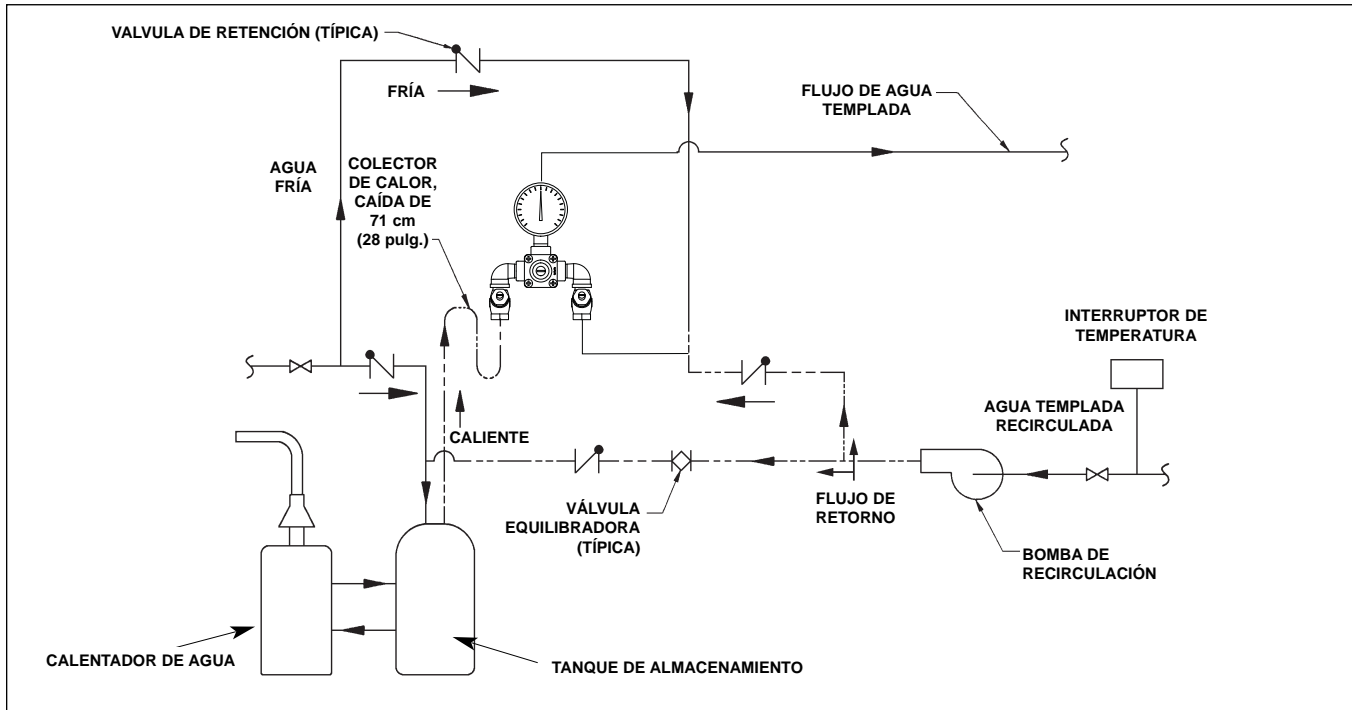


Diagrama de recirculación



Instrucciones de recirculación

Nota: La recirculación del agua en el sistema provee una regulación constante de la temperatura del agua. Lave abundantemente las líneas de suministro después de terminar la instalación. Cierre todos los lavadores/duchas de emergencia y colóqueles un aviso indicando que no están en uso durante el proceso de recirculación.

1. Apague la bomba de recirculación y abra el suministro de agua [se requiere un gasto de 12 a 19 l/min (3 a 5 galones por minuto)].
2. Deje que el agua corra a través del sistema hasta obtener una temperatura constante. Si no obtiene la temperatura requerida, refiérase al paso 6 de la página 21 para ajustar la temperatura.
3. Una vez que el agua alcance la temperatura adecuada, encienda la bomba de recirculación (asegúrese que el sistema haya obtenido la temperatura adecuada antes de proceder).
4. Verifique la temperatura del agua en la bomba de retorno. Si la temperatura excede el nivel apropiado en 1°C (2°F), ajuste el interruptor de alta temperatura (esto apagará la bomba). Espere hasta cuando la temperatura del agua de retorno sea de 2,8°C (5°F) por debajo del nivel apropiado y ajuste el interruptor de baja temperatura (esto encenderá la bomba nuevamente).
5. Gire la válvula de compensación hasta cuando esté completamente abierta.
6. Apague todos los lavadores/duchas de emergencia y asegúrese de que no haya agua corriendo a través del sistema (el tubo de entrada de agua fría debe sentirse tibio al tacto).
7. Deje el sistema funcionando por 30 minutos o más sin agua. Si, después de 30 minutos, la temperatura del agua aumenta, puede ajustar la temperatura cerrando muy despacio la válvula de compensación hasta cuando se obtenga la temperatura apropiada.

Mantenimiento de la válvula mezcladora termostática

Para una máxima eficiencia, la válvula mezcladora termostática requiere un mantenimiento mínimo. Siga los procedimientos a continuación para el mejor desempeño.

Verifique que el pistón tenga un movimiento uniforme

Para verificar que el pistón de la válvula tenga un movimiento uniforme y libre, realice los pasos siguientes.

1. Retire la tapa superior de la válvula y el termostato (Figura 5).
2. Empuje la varilla para abajo (ésta debe bajar aproximadamente 10 mm (0,38 de pulg.) (vea Figura 6). Si no se baja lo suficiente, el pistón no se está moviendo con libertad y necesita limpiarlo al igual que la camisa del pistón. Para limpiar el pistón y la camisa, siga los pasos a continuación:
 - retire la tapa superior y el termostato
 - usando la llave de cubo de 15/16 de pulg., afloje la camisa del cuerpo de la válvula y retírela con las pinzas de punta de aguja
 - desarme los componentes del pistón como se muestra en la Figura 7 (utilice la llave de cubo de 1/2 de pulg. de alcance extendido para sacar el asiento superior)
 - se puede usar cualquier limpiador adecuado para acero inoxidable y latón (si la limpieza con un limpiador adecuado no es suficiente para eliminar los desechos, se puede usar una lija número 400 para pulir el pistón y la camisa)
 - arme los componentes del pistón y pruebe de nuevo el pistón.
3. Si el pistón se mueve libremente, mueva el mecanismo hacia arriba y abajo varias veces hasta asegurarse que el pistón tiene un movimiento uniforme y constante. Si el movimiento del pistón no es uniforme, revise el pistón y la camisa por alguna suciedad o desecho como se explica en el paso 2.
 - si necesita reemplazar las piezas del pistón, comuníquese con el representante de Bradley y pídale el Juego de Pistón/Camisa (pieza número S65-172).

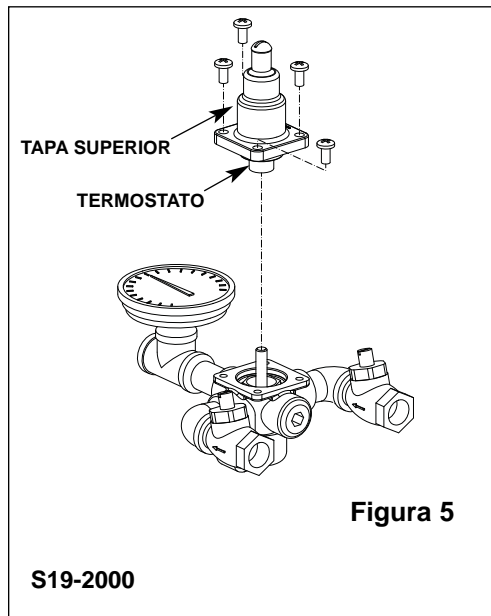


Figura 5

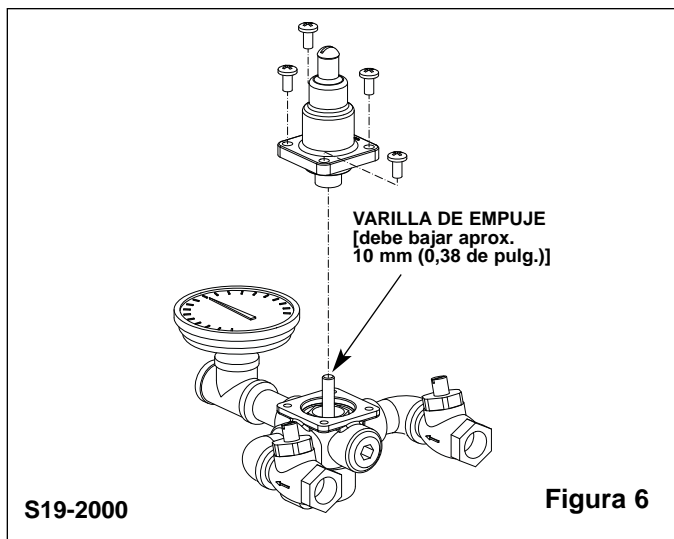


Figura 6

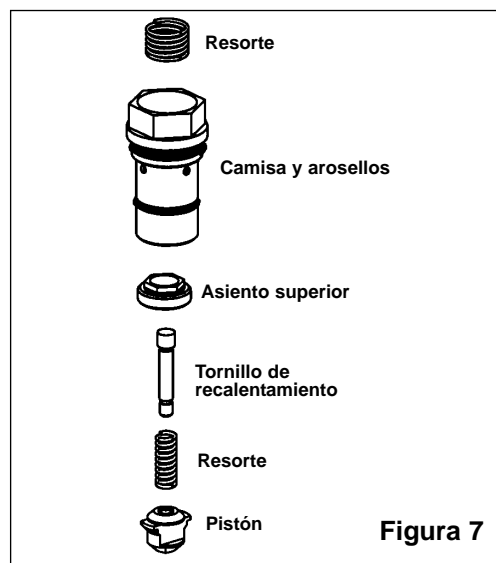


Figura 7

Mantenimiento de la válvula mezcladora termostática, continuación

Verifique que el termostato funcione apropiadamente

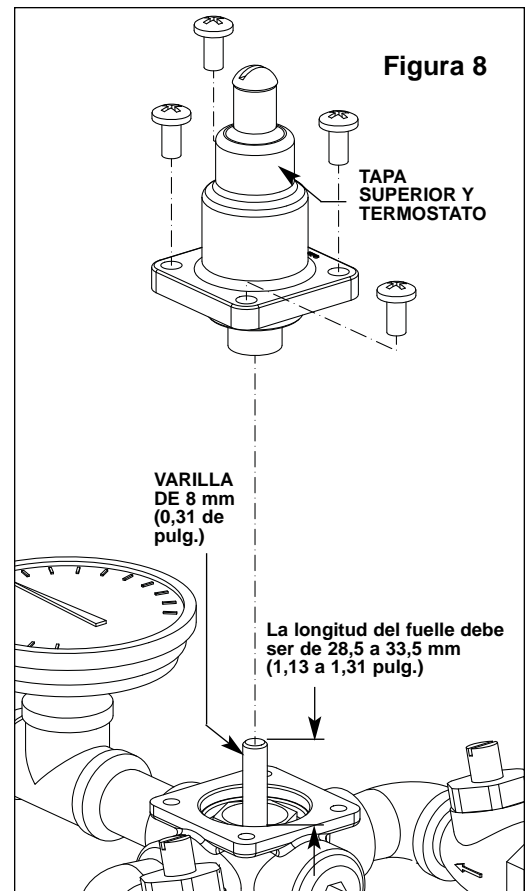
Para verificar que el termostato de la válvula esté funcionando adecuadamente, realice los pasos siguientes.

1. Retire la tapa superior y el termostato (vea Figura 5, página 25).
2. Inserte una varilla de 8 mm (0,31 de pulg.) de diámetro dentro del fuelle del termostato. Marque la longitud de la varilla dentro del fuelle (vea Figura 8).
3. Marque la longitud del fuelle del termostato [a temperatura ambiente, con 4,45 kg / 44,5 N (10 libras) de fuerza, la longitud del fuelle debe ser aprox. 32 mm (1,25 pulg.)] (vea Figura 8).
4. Si la longitud del fuelle del termostato no es adecuada, se debe reemplazar el termostato (no se puede reparar). Comuníquese con el representante de Bradley y pídale el Juego del Termostato (pieza número S65-171).

Ajuste la temperatura

Para ajustar la temperatura de la válvula a un nivel diferente al fijado en la fábrica, realice los pasos siguientes.

1. Abra el suministro de agua y deje el agua correr hasta cuando por lo menos 12 l/min (3 galones/minuto) fluyan a través de la válvula.
2. Quite el tornillo superior para exponer el tornillo de ajuste.
3. Usando una llave hexagonal Allen de 5/32 de pulg., gire el tornillo de ajuste a la **izquierda** para **aumentar** la temperatura o a la **derecha** para **disminuirla**.
4. Cuando se termine el ajuste, reemplace el tornillo de la tapa y cierre el suministro de agua.



Resolución de problemas de la válvula mezcladora termostática

Nota: Antes de intentar reparar o desmontar la válvula, examine las condiciones siguientes:

- asegúrese de que las válvulas de tope/retención estén completamente abiertas (el vástago ranurado debe salirse aproximadamente 6 mm (0,25 de pulg.) de la tapa de la válvula) (vea Figura 1, página 21) y todas las válvulas de cierre de las entradas y salidas se encuentren abiertas
- asegúrese de que los tubos de entrada del agua caliente y fría se encuentren conectados correctamente, y que no hayan conexiones cruzadas ni fugas en las válvulas de tope/retención
- revise la salida del calentador del agua y asegúrese de que esté al menos 8,3°C (15°F) por encima de la temperatura fijada.

Asegúrese de cerrar las válvulas de cierre correspondientes antes de desmontar la válvula y de abrirlas nuevamente después de terminar la inspección y reparación.

Problema: No hay flujo de agua caliente (sólo flujo de agua fría)

Causa: Falla del termostato y, como resultado, el cierre de seguridad se activa (la válvula de cierre está cerrada en las entradas o en la salida).

Solución: Refiérase a la sección anterior “Verifique que el termostato funcione apropiadamente” y siga el procedimiento paso a paso.

Resolución de problemas, continuación

Problema: Flujo de agua limitado

Causa: La válvula de cierre de entrada puede estar cerrada parcialmente o ha ocurrido una baja significativa de la presión del agua.

Solución: Refiérase a la sección “Verifique que el termostato funcione apropiadamente” en la página 26 y siga el procedimiento paso a paso.

Causa: Las secciones de tope y retención de la válvula no se mueven libremente.

Solución: Suciedad y desechos se han depositado en el asiento de la válvula de tope/retención, limitando el movimiento de las secciones de tope y retención. Quite las secciones de tope y retención, limpie el asiento y monte la válvula nuevamente (vea Figura 9). Además se puede desmontar y limpiar las válvulas de tope y retención. Con un pequeño cepillo de alambre se pueden limpiar los componentes de las válvulas. Si las válvulas de tope/retención necesitan reemplazarse, comuníquese con el representante de Bradley y pídale el Juego de Retenedor/Tope (pieza número S27-102 — Bronce en bruto, S27-292A — Cromo).

Problema: Temperatura del agua inadecuada

Causa: La recirculación no está balanceada.

Solución: Refiérase a la sección “Instrucciones de recirculación” en la página 24 y siga el procedimiento paso a paso.

Problema: Fugas externas

Causa: Las uniones NPT o los arosellos se han dañado.

Solución: Reemplace las uniones NPT y/o los arosellos donde sea necesario. Para obtener arosellos de repuesto, comuníquese con el representante de Bradley y pídale el Juego de Arosellos/Sellos (pieza número S65-170).

Problema: Fluctuación de la temperatura

Causa: El termostato está fallando lentamente.

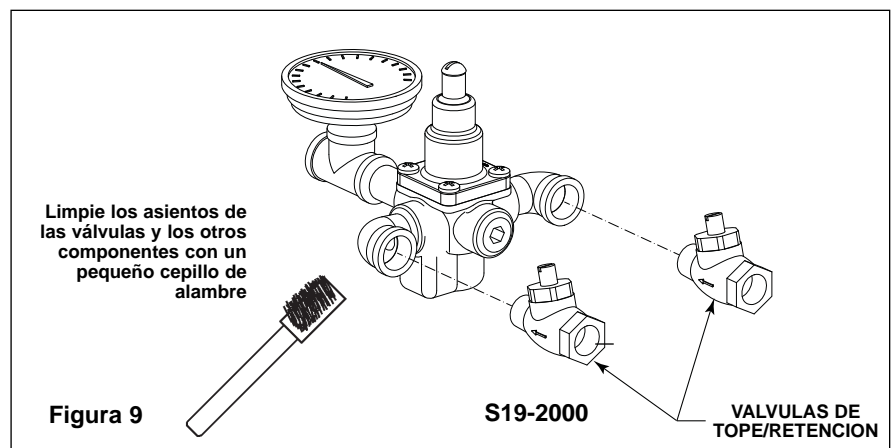
Solución: Refiérase a la sección “Verifique que el termostato funcione apropiadamente” en la página 26 y siga el procedimiento paso a paso.

Causa: La recirculación no está balanceada.

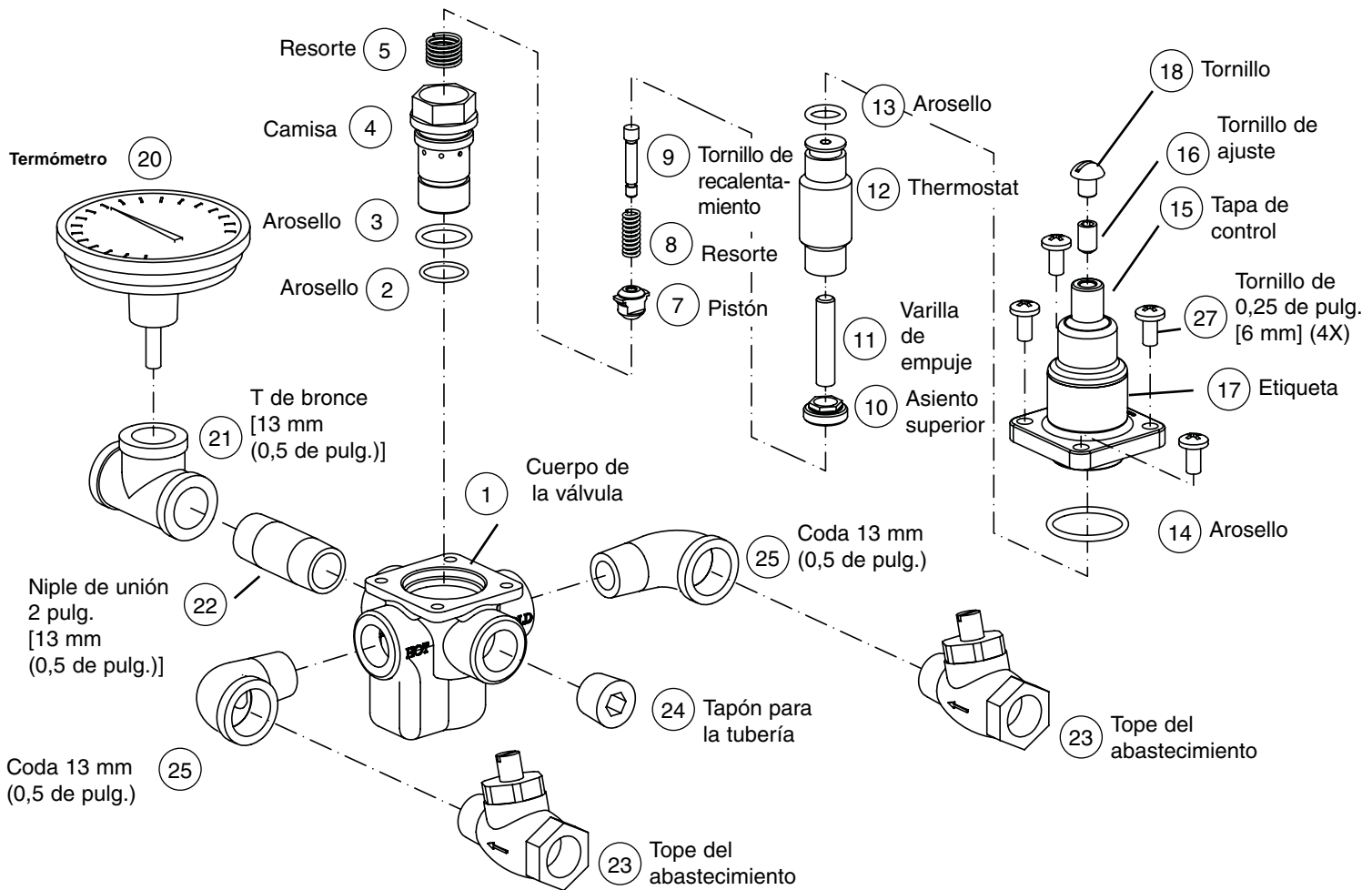
Solución: Refiérase a la sección “Instrucciones de recirculación” en la página 24 y siga el procedimiento paso a paso.

Causa: La entrada de la línea de suministro de la válvula mezcladora es compartida con otros equipos que son usados sólo periódicamente, tales como máquinas de lavar o estaciones de lavado. Esto puede reducir la presión de entrada de la válvula mezcladora a menos de 21 kPA (3 psi). La capacidad de la línea de suministro puede no ser lo suficientemente grande para el suministro de ambos, la válvula y los otros equipos.

Solución: Utilice una línea de suministro de mayor capacidad, reconfigure la línea de suministro o regule el uso del suministro.



EFX 8: Lista de piezas y juegos para reparación (S19-2000)



Juego de Termostato S65-171

Pieza	Cant.	Descripción
12	1	Termostato
13	1	Arosello
14	1	Arosello

Juego de Arosellos S65-170

Pieza	Cant.	Descripción
2	1	Arosello
3	1	Arosello
13	1	Arosello
14	1	Arosello

Juego de Pistón/Camisa S65-172

Pieza	Cant.	Descripción
2	1	Arosello
3	1	Arosello
4	1	Camisa
5	1	Resorte
7	1	Pistón
8	1	Resorte
9	1	Tornillo de recalentamiento

Tuberías de conexión flexibles para S19-2000EFX.
Cuando se use con S19-292, pida pieza número 269-653 (se proporcionan 3 con la unidad).

NOTA: Los números de los equipos son para modelos con acabado de bronce en bruto y termostato de rango estándar. Comuníquese con Bradley para conocer otras configuraciones.

Juego de Sección Central S65-303

Pieza	Cant.	Descripción
2	1	Arosello
3	1	Arosello
4	1	Camisa
5	1	Resorte
7	1	Pistón
8	1	Resorte
9	1	Tornillo de recalentamiento
10	1	Asiento superior
11	1	Varilla de empuje
12	1	Termostato
13	1	Arosello
14	1	Arosello
15	1	Tapa de control
16	1	Tornillo de ajuste
17	1	Etiqueta
18	1	Tornillo
27	4	Tornillo de 0,25 de pulg. (6 mm)

NOTAS: A partir de noviembre de 2001, el pistón (artículo 7) reemplazó al portasello y al sello como reemplazo directo. A partir de junio de 2008, una tapa de plástico reemplazó a la tapa de control de bronce (artículo 15). Todos los componentes internos son idénticos.