

Pedestal-Mounted Eyewash Fixture, Chrome-Plated Brass

Model S19-210U

- Complies with American National Standard Z358.1-2004
- Bright, Mirror Finish
- Chrome-Plated Red Brass Pipe and Fittings
- Universal Identification Sign and Inspection Tag Included
- Full, One-Year Warranty

Specifications

Unit design saves space and fits easily into any work environment. Eyewash operates quickly by a large, highly visible push handle. Safe, steady water flow under varying water supply conditions from 30-90 PSI is assured by integral flow control in the sprayhead assembly.

UPC and cUPC Approved:

The Emergency Fixtures are certified to comply with the requirements of the Uniform Plumbing Code and the National Plumbing Code of Canada by the International Association of Plumbing and Mechanical Officials (IAPMO).

Construction

Eyewash bowl constructed of stainless steel. Push handle is colored bright yellow for high visibility in emergency situations. Bright mirror finish is superior in laboratory use and in areas where appearance is important. Pipe, fittings, and waste tee with floor flange are chrome-plated red brass.

Standard Equipment

Eyewash Bowl

10" (254mm) diameter stainless steel.

Standard Sprayhead Assembly

Chrome-plated brass sprayhead assembly with twin, soft flow, eyewash heads and protective sprayhead covers. The integral flow control assures safe, steady flow under varying water supply conditions from 30-90 PSI.

Valve

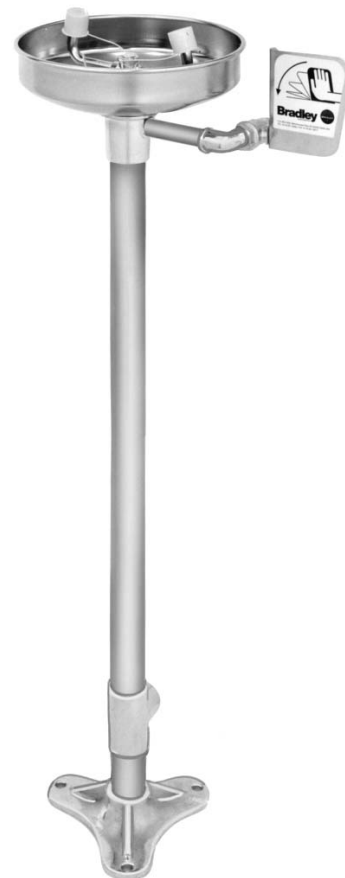
Chrome-plated brass 1/2" IPS stay-open ball valve. Hand operated by a large, highly visible safety yellow PVC push handle.

Pipe and Fittings

Chrome-plated red brass.

Water Supply

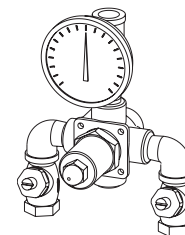
1/2" IPS.



Recommended Option:

Navigator S19-2000 EFX8
Emergency Thermostatic Mixing Valve

NAVIGATOR



Satisfies ANSI Z358.1-2004
tepid water requirements.

Document No. 4235

This information is subject to change without formal notice.
© 2004 Bradley Corporation
8-18-2006 (2 Pages Total)

Bradley 

P.O. Box 309, Menomonee Falls, WI 53052-0309
Phone 1-800-BRADLEY FAX 262-251-5817
Web Site: <http://www.bradleycorp.com>

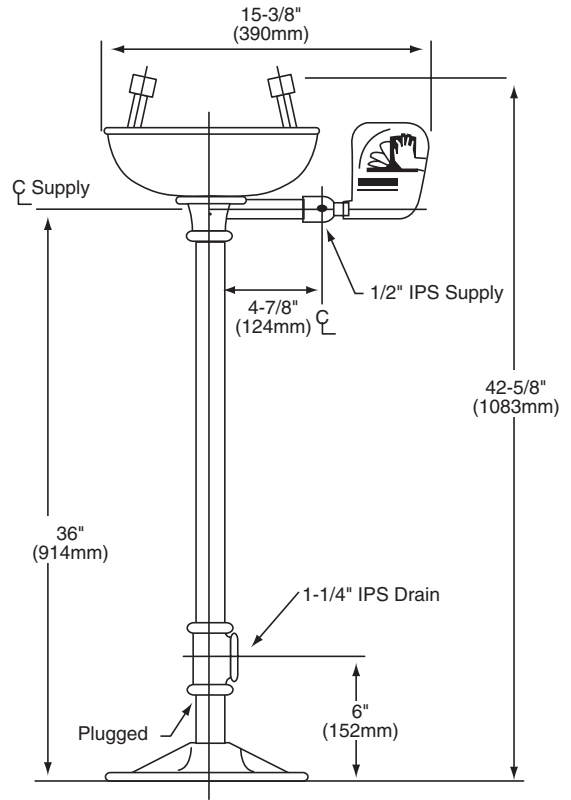


SEI CERTIFIED
MODEL
Z358.1-2004

Pedestal-Mounted Eyewash Fixture, Chrome-Plated Brass

Model S19-210U

MODEL	
Model No.	Description
<input type="checkbox"/> S19-210U	Pedestal-Mounted Eyewash Fixture, Chrome-Plated Brass
<input type="checkbox"/> S19-2000	Navigator EFX8 – Emergency Thermostatic Mixing Valve



Document No. 4235

This information is subject to change without formal notice.
© 2004 Bradley Corporation
8-18-2006 (2 Pages Total)



P.O. Box 309, Menomonee Falls, WI 53052-0309
Phone 1-800-BRADLEY FAX 262-251-5817
Web Site: <http://www.bradleycorp.com>