

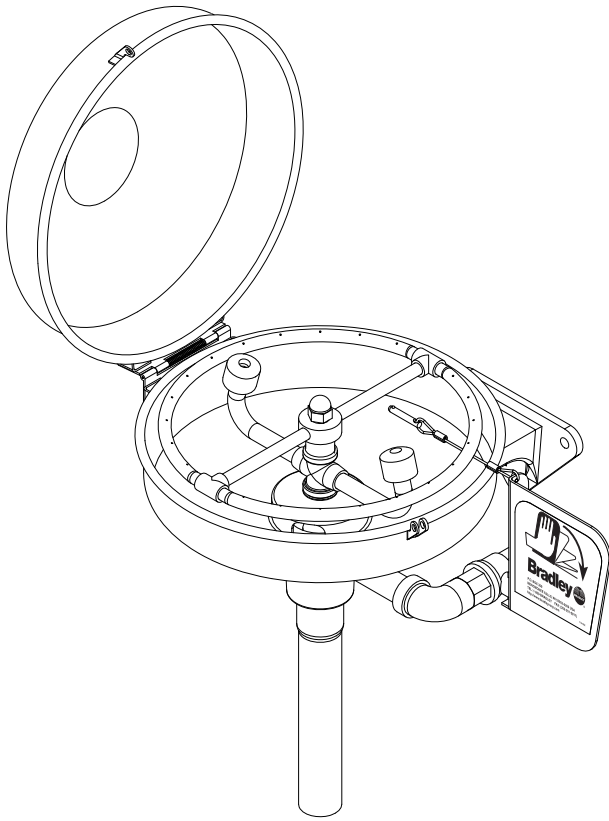
Installation

S19-220DCR

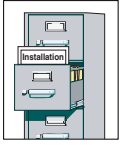
Wall-Mounted Eyewash with Dust Cover

Table of Contents

Pre-Installation Information	2
Installation Instructions	3
Assembly of Components	4
Parts List	4



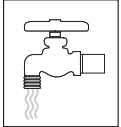
 **WARNING** 



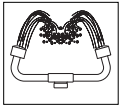
Read this installation manual completely to ensure proper installation, then file it with the owner or maintenance department. Compliance and conformity to drain requirements and other local codes and ordinances is the responsibility of the installer.



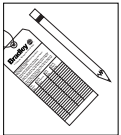
Separate parts from packaging and make sure all parts are accounted for before discarding any packaging material. If any parts are missing, do not begin installation until you obtain the missing parts.



Flush the water supply lines before beginning installation and after installation is complete. Test the unit for leaks and adequate water flow. Main water supply to the eyewash should be "ON" at all times. Provisions shall be made to prevent unauthorized shutoff.



The ANSI Z358.1 standard requires an uninterrupted supply of flushing fluid at a minimum 30 PSI (0.21 MPa) flowing pressure. Flushing fluid should be tepid per ANSI Z358.1.



The inspection and testing results of this equipment should be recorded weekly to verify proper operation. This equipment should be inspected annually to ensure compliance with ANSI Z358.1.



Workers who may come in contact with potentially hazardous materials should be trained regarding the placement and proper operation of emergency equipment per ANSI Z358.1.



For questions regarding the operation or installation of this product, visit www.bradleycorp.com or call 1-800-BRADLEY.

Product warranties may also be found under "Product Information" on our web site at www.bradleycorp.com.

Installation

NOTE: Flush the water supply line before beginning installation.

Supplies Required:

- (3) 3/8" bolts and wall anchors for mounting wall bracket
- Pipe sealant
- Piping to 1/2" NPT water supply inlet on unit
- Piping to 1-1/4" NPT drain outlet for eyewash
- Sign-mounting hardware

Step 1: Install inlet drain fittings

NOTE: The top of the eyewash heads should be 33"–45" (838mm–1143mm) from the floor.

1. Position the inlet drain fitting over the 1-1/4" drain outlet pipe from wall.
2. Using the inlet drain fitting as a template, mark the bolt hole locations on the wall OR install three suitable fasteners (supplied by installer) for 3/8" bolts in the wall at the marked hole locations (see Figure 1).
3. Bolt the inlet drain fitting to the wall or wall fasteners using 3/8" bolts (supplied by installer).

Step 2: Assemble eyewash components

1. Assemble eyewash components as shown in Figure 2 on page 4.
 - Apply pipe sealant (supplied by installer) to all male-threaded pipe joints.
 - Use a strap wrench around pipes when tightening to prevent marring.

Step 3: Connect water supply

1. Connect the water supply piping (supplied by installer) to the 1/2" NPT inlet on the eyewash.
2. Connect the tailpiece to the 1-1/4" NPT drain outlet on the eyewash.
3. Mount the safety sign to the wall using sign-mounting hardware (supplied by installer).
4. Open the water supply lines. Test for leaks and adequate water flow.

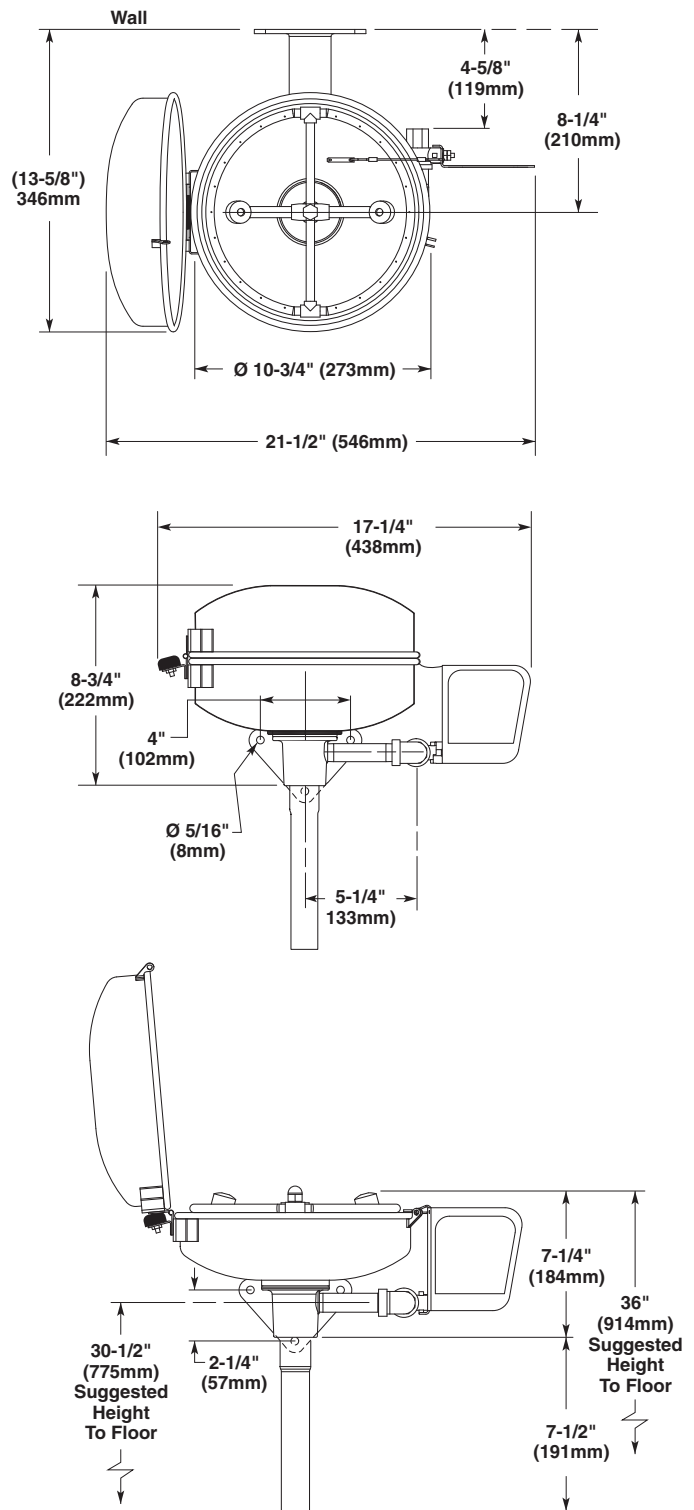


Figure 1

Assembly of Components and Parts List

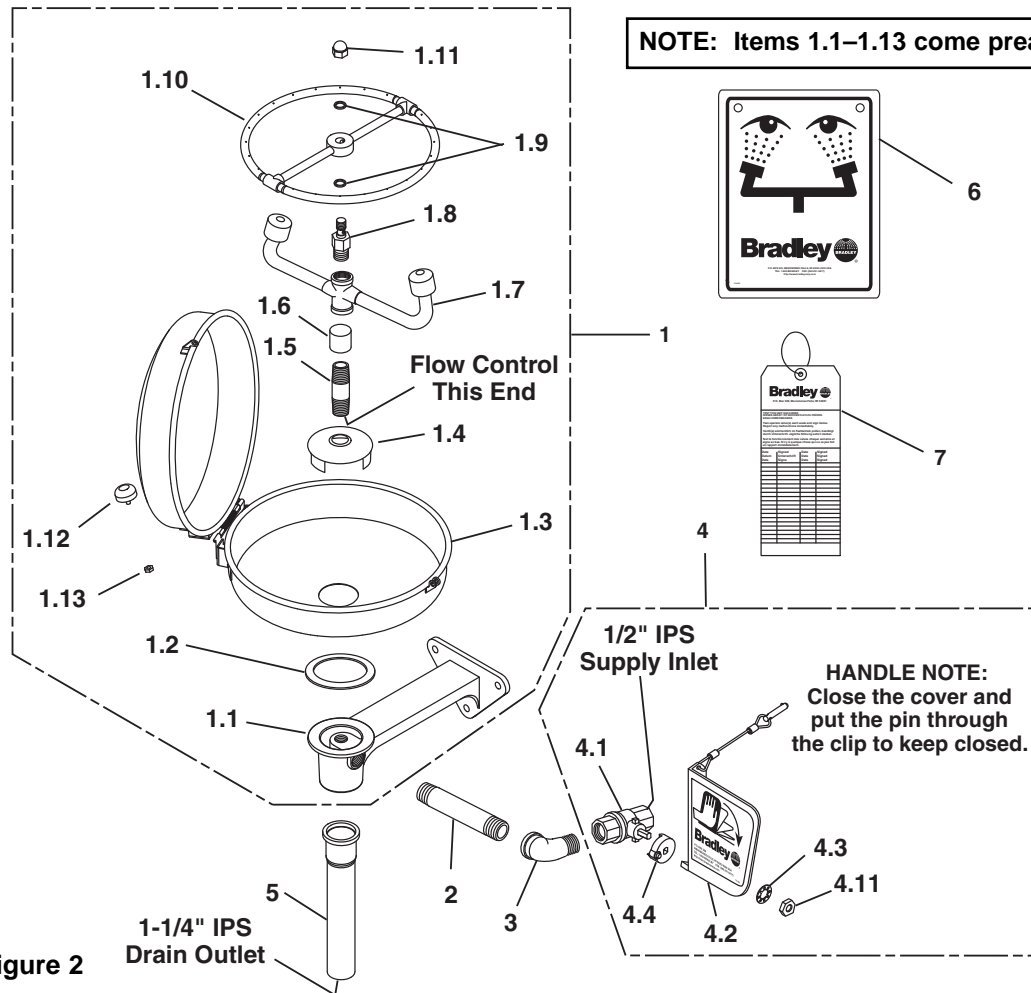


Figure 2

Item	Part No.	Qty	Description	Item	Part No.	Qty	Description
1	S90-301	1	Dust Cover w/Spray Ring	1.13	161-025	1	Hex Nut
1.1	111-061	1	Inlet-Drain Fitting	2	113-006LQ	1	Pipe 1/2" NPT x 3-1/2" Long
1.2	124-028	1	Gasket	3	169-025	1	Elbow
1.3	S90-009	1	Dust Cover Assembly	4	S30-072	1	1/2" Valve/Handle Prepack
1.4	173-009	1	Cup Strainer	4.1	S27-282	1	1/2" Ball Valve with Nut
1.5	S21-073	1	Supply Stem	4.11	110-215	1	Nut only
1.6	113-1159	1	Drain Spacer	4.2	S08-056	1	Handle Assembly
1.7	S05-100	1	Eyewash Yoke Assembly	4.3	142-002DA	1	Lockwasher
1.8	269-651	1	Swivel Stem	4.4	143-372R	1	Adapter
1.9	124-055	2	Quad Ring	5	269-167	1	Tailpiece
1.10	139-087	1	Spray Ring Assembly	6	114-051	1	Safety Sign
1.11	110-199	1	Acorn Nut	7	204-421	1	Emergency Tag
1.12	269-447	1	Bumper				

Prepack S05-127 includes Items 1.8, 1.9, 1.10, 1.11
 Prepack S30-087 includes Items 4.11, 4.2, 4.3, 4.4