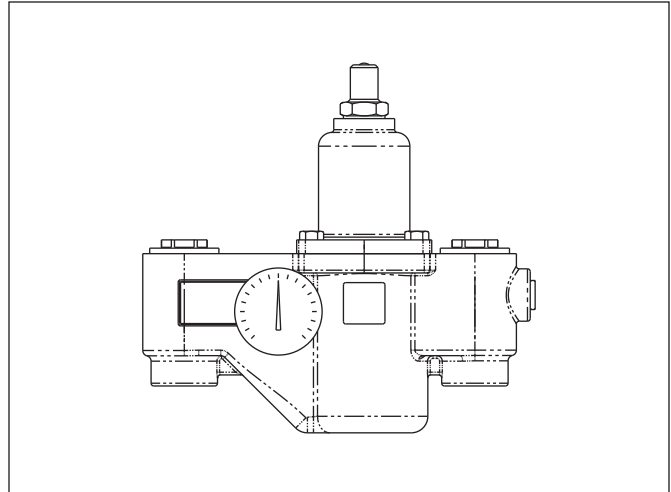


- Meets ANSI Z358.1-2004
- Reliable liquid-filled thermostat with 10 year warranty
- EFX125 Thermostatic Mixing Valve
- Integral strainer checkstops on inlets
- Adjustable set point within temperature range
- Accurate temperature control to within  $\pm 3^{\circ}$  F
- Built-in cold water bypass, assuring cold flow
- Positive shutoff of hot supply when cold supply is lost
- Easy installation and serviceability
- Dirt and lime resistant
- Dial thermometer
- Factory assembled and tested
- Universal mounting capability
- Cabinet Features
  - 18 gauge body & door
  - Left hand hinge
  - Cylinder Lock
  - Inlet/outlet knock out holes for mounting flexibility
  - Stainless steel or baked white enamel finishes
  - Surface mounted or recessed style



### Valve Specifications

**Maximum Operating Pressure**  
125 PSI (860 kPa)

**Maximum Inlet Temperature**  
180° F (82° C)

**Recommended Inlet Temperature**  
120° F (49° C) – 140° F (60° C)

**Temperature Range**  
Std. 65° F (18° C) to 95° F (35° C)

**Set Point**  
85° F (29° C)

### Flow Capacities – GPM (L/Min)

| Model                   | Min. Flow     | Pressure Drop – PSI (Bar) |                 |                  |                 |                  |                  |                  |
|-------------------------|---------------|---------------------------|-----------------|------------------|-----------------|------------------|------------------|------------------|
|                         |               | 5<br>(.5)                 | 10<br>(1.0)     | 15<br>(1.5)      | 20<br>(2.0)     | 30<br>(2.5)      | 45<br>(3.0)      | 60<br>(4.0)      |
| <b>S19-2300</b>         | 3.0<br>(11.5) | 42.0<br>(159.0)           | 59.5<br>(225.5) | 72.75<br>(275.5) | 84.0<br>(318.0) | 103.0<br>(390.0) | 127.0<br>(481.0) | 148.0<br>(560.0) |
| <b>Cold Bypass Only</b> |               | 28.0<br>(106.0)           | 38.0<br>(144.0) | 46.0<br>(174.0)  | 53.0<br>(200.0) | 63.0<br>(238.0)  | 76.0<br>(288.0)  | 86.0<br>(325.0)  |

### Optional Selections

**Finish**

- C** Chrome Plated

**Piped Assembly**

- P** Piped Assembly with Inlet and Outlet Shutoff  
 **N** Piped Assembly only

**Cabinets**

- SS** Surface Mount Stainless Steel  
 **RS** Recessed Stainless Steel  
 **SE** Surface Mount White Enamel  
 **RE** Recessed White Enamel  
 **W** Plexi-glass Window in Door

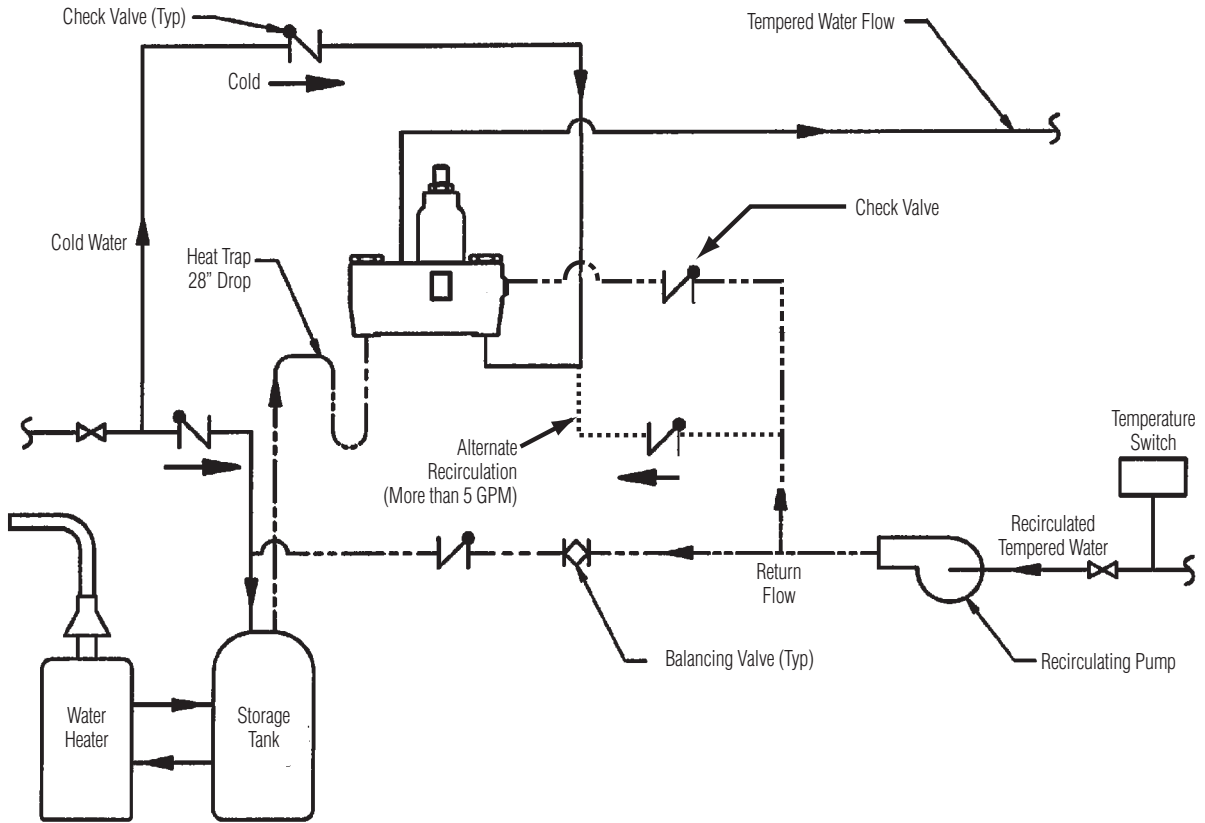
### Sample Specification

Emergency fixture water mixing valve shall consist of liquid-filled thermal motor and a piston control mechanism with positive shut off of hot water when cold water supply is lost to prevent scalding. In addition, the valve shall allow cold flow in the event of loss or interruption of the hot water supply or thermostat failure. The valve shall control outlet temperature over a wide flow range and will be suitable for drench shower and/or eyewash applications. Temperature adjustment will be vandal resistant.

Engineer's Approval \_\_\_\_\_

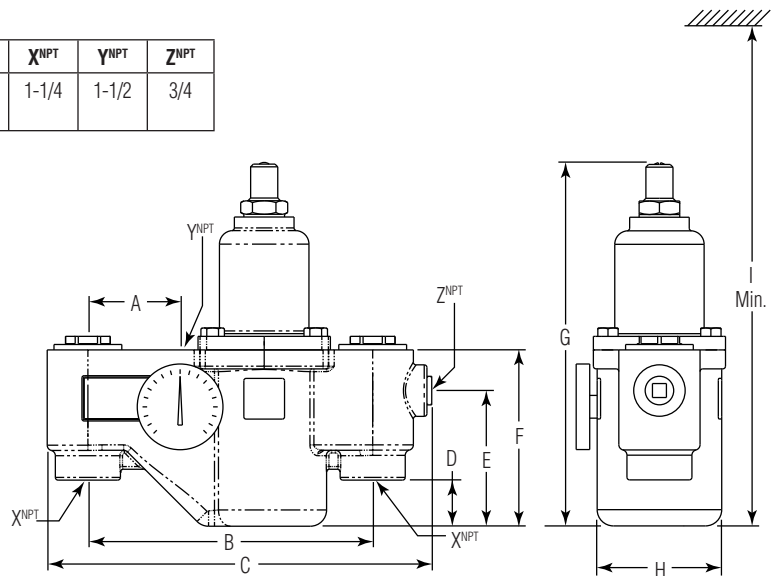
Consult local and national codes: conformity and compliance to local and national codes is the responsibility of the installer.

## Recirculation Diagram



## Dimensions – Inches (mm)

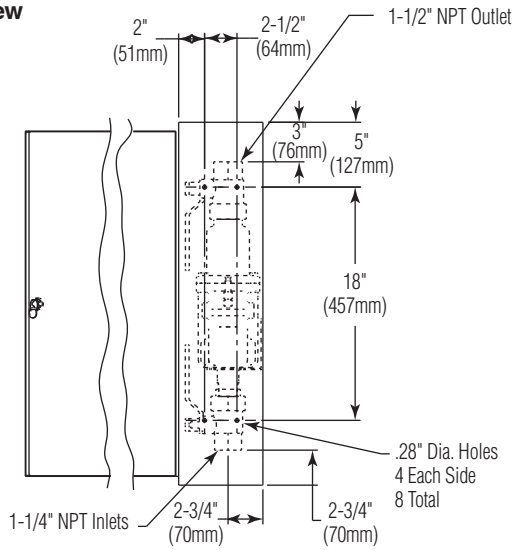
| A             | B               | C           | D             | E          | F              | G               | H              | I           | X <sup>NPT</sup> | Y <sup>NPT</sup> | Z <sup>NPT</sup> |
|---------------|-----------------|-------------|---------------|------------|----------------|-----------------|----------------|-------------|------------------|------------------|------------------|
| 2-3/4<br>(70) | 10-1/2<br>(267) | 14<br>(356) | 1-3/4<br>(45) | 5<br>(127) | 6-5/8<br>(169) | 13-1/2<br>(343) | 4-7/8<br>(124) | 22<br>(559) | 1-1/4            | 1-1/2            | 3/4              |



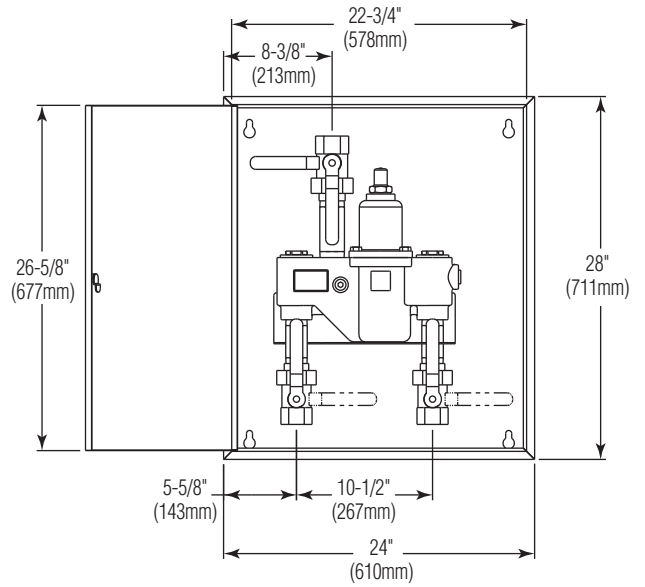
Consult local and national codes: conformity and compliance to local and national codes is the responsibility of the installer.

**Dimensions — S19-2300 Surface Mounted**

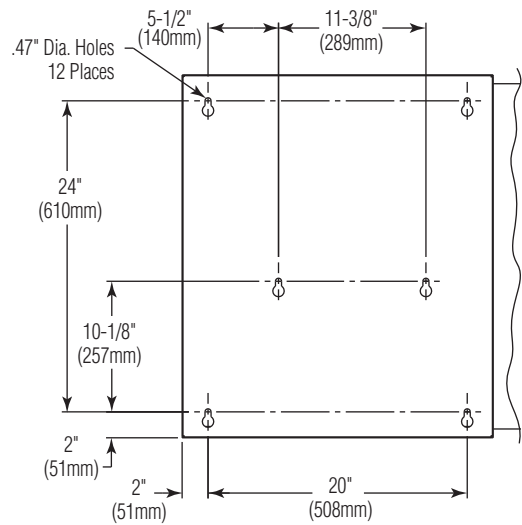
**Side View**



**Front View**



**Back View**



Consult local and national codes: conformity and compliance to local and national codes is the responsibility of the installer.

