

# Swing-Activated Eye and Eye/Face Wash

## Model S19-270C (Shown)

## Model S19-270E

- Complies with ANSI Standard Z358.1-2004
- Universal Right or Left Hand Mounting w/Locking Mechanism
- Chrome-Plated Brass Pipe and Fittings
- Universal Sign and Inspection Tag Included
- Full, One-Year Warranty

## Specifications

Unit design saves space and fits easily into any work environment. Eye and eye/face washes operate quickly by pulling swing arm 90° over sink. Universal mounting design with locking mechanism allows you to install either right or left handed. Safe, steady water flow under varying water supply conditions from 30-90 PSI is assured by integral flow control in the shank.

### UPC and cUPC Approved:

The Emergency Fixtures are certified to comply with the requirements of the Uniform Plumbing Code and the National Plumbing Code of Canada by the International Association of Plumbing and Mechanical Officials (IAPMO).

## Construction

Pipe and fittings are chrome-plated brass. Universal right or left handed mounting options.

## Standard Equipment

### Standard Sprayhead Assembly

Chrome-plated brass sprayhead assembly with twin, soft flow eye wash heads and protective pop-off sprayhead covers. The integral flow control assures safe, steady flow under varying water supply conditions from 30-90 PSI. (S19-270C)

### Eye/Face Wash Sprayhead Assembly

Twin perforated disc eye/face wash heads with protective pop-off sprayhead covers. Safe, steady water flow under varying water supply conditions is assured by a flow control for 30-90 PSI. (S19-270E)

### Valve

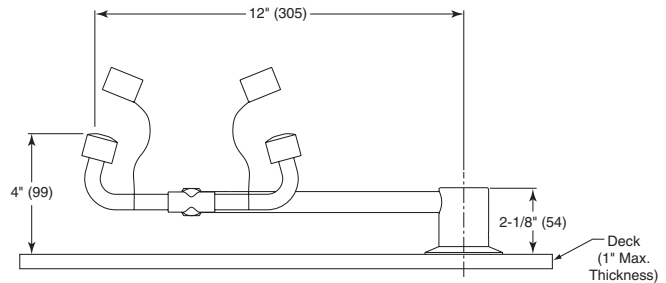
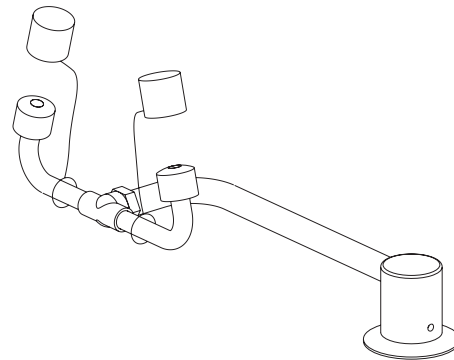
Chrome-plated brass 1/2" IPS stay-open valve. Waterflow is activated by pulling swing arm 90° over sink. Water will continue to flow until arm is returned to original position.

### Pipe and Fittings

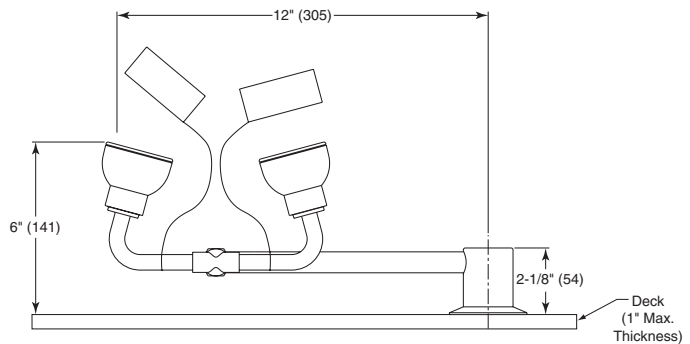
Chrome-plated brass

### Water Supply

1/2" IPS



S19-270C



S19-270E

MODEL	
Model No.	Description
<input type="checkbox"/> S19-270C	Swing-Activated Eyewash Fixture – Universal Mount
<input type="checkbox"/> S19-270E	Swing-Activated Eye/Face Wash Fixture – Universal Mount

Document No. 4471