

- Meets ANSI Z358.1-2004
- Concealed Fixture
- Activated with Opening of Stainless Steel Door
- Water Collected Back into the Cabinet's Internal Drain
- Chrome-Plated Brass Pipe and Fittings
- Universal Sign and Inspection Tag Included
- Designed to Mount Between 2 x 6 Wall Studs 16" on Centers

Specifications

Unit design saves space and fits easily into any work environment. Stainless steel cabinet and door conceal eye/face wash fixture with a consistent and appealing exterior appearance, suitable to any application. Especially ideal for areas where space is limited or where a floor drain is not available. Eye/face wash activates by pulling cabinet door down. A gas spring softens the action of opening the unit allowing the door to descend in a smooth and controlled manner. Water is collected by the door assembly and directed back into the wall for drainage. Eye/face wash has an integral flow control in the shank. Unit is flush mounted in the wall. An optional bottom-fed thermostatic mixing valve (S19-2000EFX) can be installed inside the maintenance compartment of the S19-292 or the S19-292PT. The S19-2000EFX can be easily accessed through the maintenance door below the fixture.

Construction

Pipe and fittings are chrome-plated brass. Wall cabinet and door are constructed of durable, corrosion resistant stainless steel. Brass stop-valve, tailpiece, and fittings are concealed behind a second locked hinged door at the lower section of the unit for easy yet restricted access.

Installation

S19-292 and S19-292PT require a rough wall opening of 14-1/2"W x 32-1/4"H x 6"D. Secure to framing with screws (supplied by installer) at holes provided.

Standard Equipment

Standard Sprayhead Assembly

Black ABS sprayhead assembly with twin, soft flow eye/face wash heads. Safe, steady water flow under varying water supply conditions from 30-90 PSI is assured by an integral flow control.

Cabinet

Corrosion resistant stainless steel cabinet and doors. Top section of the door conceals the eye/face wash unit which is activated with a plastic molded wide grip handle. Bottom of cabinet conceals tailpiece and fittings, and is provided with a locking device to prevent tampering with the unit. Open back and side panels in the bottom section of cabinet to accommodate multiple waste options.

Valve

Chrome-plated brass 1/2" NPT stay-open valve. Water flow is activated by pulling door down 90° with supplied handle. Water still will continue to flow until door is returned to original position.

Pipe and Fittings

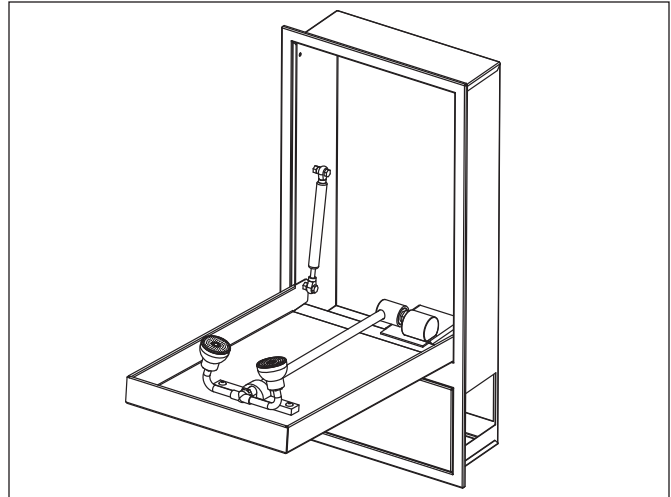
Chrome-plated brass

Water Supply

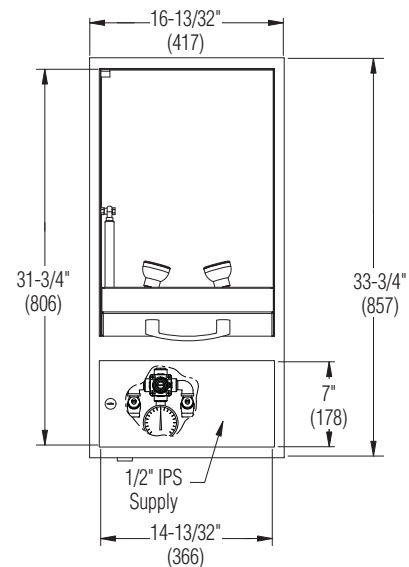
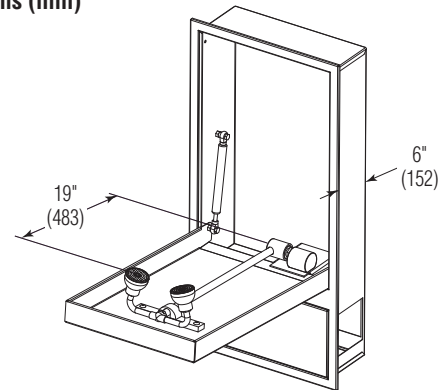
1/2" NPT

Waste

1-1/4" Drain provided with tailpiece. P-trap waste option also available (S19-282PT).



Dimensions (mm)



Engineer's Approval _____

Optional Emergency Fixture Thermostatic Mixing Valve S19-2000EFX

- Meets ANSI Z358.1-2004
- Reliable liquid-filled thermostat with 10-year warranty
- Checkstops on inlets
- Adjustable set point within temperature range
- Accurate temperature control to within $\pm 3^{\circ}\text{F}$
- Built-in cold water bypass, assuring cold flow
- Positive shut-off of hot supply when cold supply is lost
- Easy installation and serviceability
- Dirt and lime resistant
- Dial thermometer
- Factory assembled and tested

Sample Specification

Emergency fixture water mixing valve shall consist of liquid-filled thermal motor and a piston control mechanism with positive shut off of hot water when cold water supply is lost to prevent scalding. The valve shall allow cold flow in the event of loss or interruption of the hot water supply or thermostat failure. The valve shall control outlet temperature and be suitable for eyewash or eye/face wash applications. Temperature adjustment will be vandal-resistant. Three flexible 1/2" NPT hoses are included.

Maximum Operating Pressure

125 PSI (860 kPa)

Maximum Inlet Temperature

180° F (82° C)

Recommended Inlet Temperature

120° F (49° C) – 140° F (60° C)

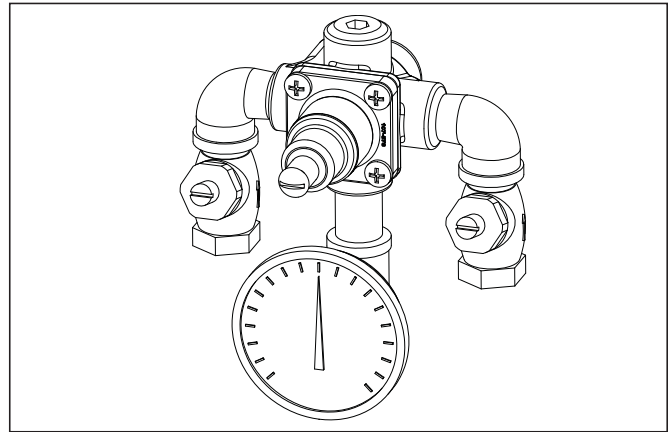
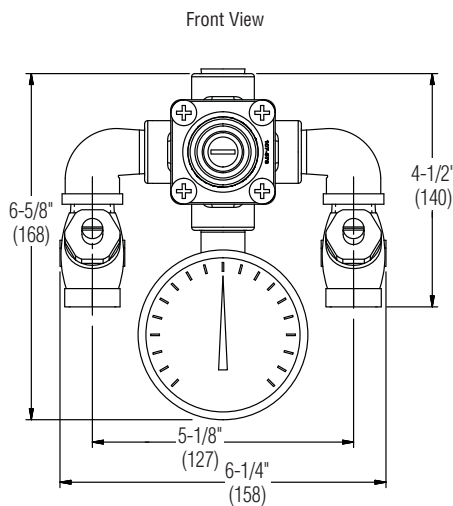
Temperature Range

Std. 65° F (18° C) to 95° F (35° C)

Set Point

85° F (29° C)

Dimensions (mm)



Model	Description
<input type="checkbox"/> S19-292	Concealed Cabinet Mounted, Swing-Down Eye/Face Wash Fixture – Barrier Free
<input type="checkbox"/> S19-292PT	Concealed Cabinet Mounted, Swing-Down Eye/Face Wash Fixture – Barrier Free with P-Trap
<input type="checkbox"/> S19-2000EFX	Optional EFX-8 Thermostatic Mixing Valve

Flow Capacities – GPM (L/Min)

Model	Min. Flow	Pressure Drop – PSI (Bar)						
		5 (.5)	10 (1.0)	15 (1.5)	20 (2.0)	30 (2.5)	45 (3.0)	60 (4.0)
S19-2000	1.5 (5.5)	3.4 (15.0)	4.5 (20.0)	5.6 (26.0)	6.5 (30.0)	7.8 (34.0)	9.4 (37.0)	11.6 (42.0)
Cold Bypass Only		2.6 (10.5)	3.2 (14.5)	4.0 (18.0)	4.6 (21.0)	5.6 (23.5)	6.8 (28.5)	7.7 (29.5)

