

- Complies with American National Standard Z358.1-2004
- Galvanized Steel Protected with BRADTECT™ Safety Yellow Coating or All Stainless Steel (S19-310BFSS)
- Universal Identification Sign and Inspection Tag Included
- Full, One-Year Warranty
- Patent Pending



Specifications

Barrier-free design makes this drench shower and eye/face wash unit fully accessible to people with physical disabilities. Bradley meets accessibility codes by assuring proper placement of shower and eye/face wash components. Unit saves space and fits easily into any work environment. Shower valve operates quickly by a pull rod with a triangular handle. Eye/Face Wash operated by a large, highly visible push handle. Safe, steady water flow under varying water supply conditions from 30–90 PSI is assured by integral flow control in the sprayhead assembly. NOTE: The ANSI Z358.1 standard requires an uninterrupted supply of flushing fluid at a minimum 30 PSI flowing pressure.

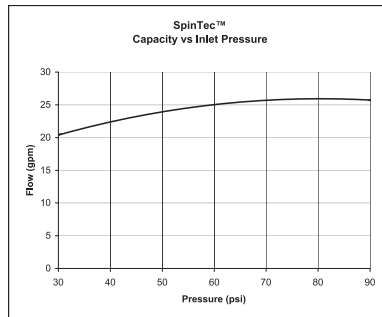
cUPC Approved:

S19-310BF, S19-310BFSS, S19-310DCBF and S19-310BFPB are certified to comply with the requirements of the Uniform Plumbing Code and the National Plumbing Code of Canada by the International Association of Plumbing and Mechanical Officials (IAPMO).

Standard Equipment

SpinTec™ Showerhead

Standard showerhead is 3.1" (78.7mm) diameter highly visible yellow impact-resistant plastic. High performance corrosion-resistant stainless steel showerhead with hexagonal profile measures 1 1/16" (40mm) point-to-point (S19-310BFSS only). SpinTec drench showerhead features integral 23 GPM flow control, conserving water and helping to accurately size your tepid water system.



Shower Valve

Chrome-plated brass 1" NPT stay-open ball valve. Operated by a stainless steel rod with triangular handle. S19-310BFSS is all stainless steel.

Eye/Face Wash Bowl

10" (254mm) diameter yellow impact-resistant plastic or 10 3/4" (273mm) diameter corrosion-resistant stainless steel. S19-310DCBF includes a 10 3/4" (273mm) diameter corrosion-resistant stainless steel dust cover.

Standard Sprayhead Assembly

Chrome-plated brass sprayhead with twin, soft flow, eyewash heads and protective sprayhead covers. Safe, steady water flow under varying water supply conditions from 30–90 PSI is assured by integral flow control in the sprayhead assembly. S19-310BFSS is stainless steel.

Eye/Face Wash Sprayheads (S19-310DCBF only)

Twin perforated-disc eye/face wash heads with protective pop-off sprayhead covers. Safe, steady water flow under varying water supply conditions from 30–90 PSI is assured by integral flow control in the sprayhead assembly.

Eye/Face Wash Valve

Chrome-plated brass 1/2" NPT stay-open ball valve. Hand operated by highly visible safety yellow PVC push handle. S19-310BFSS is all stainless steel.

Face Spray Ring

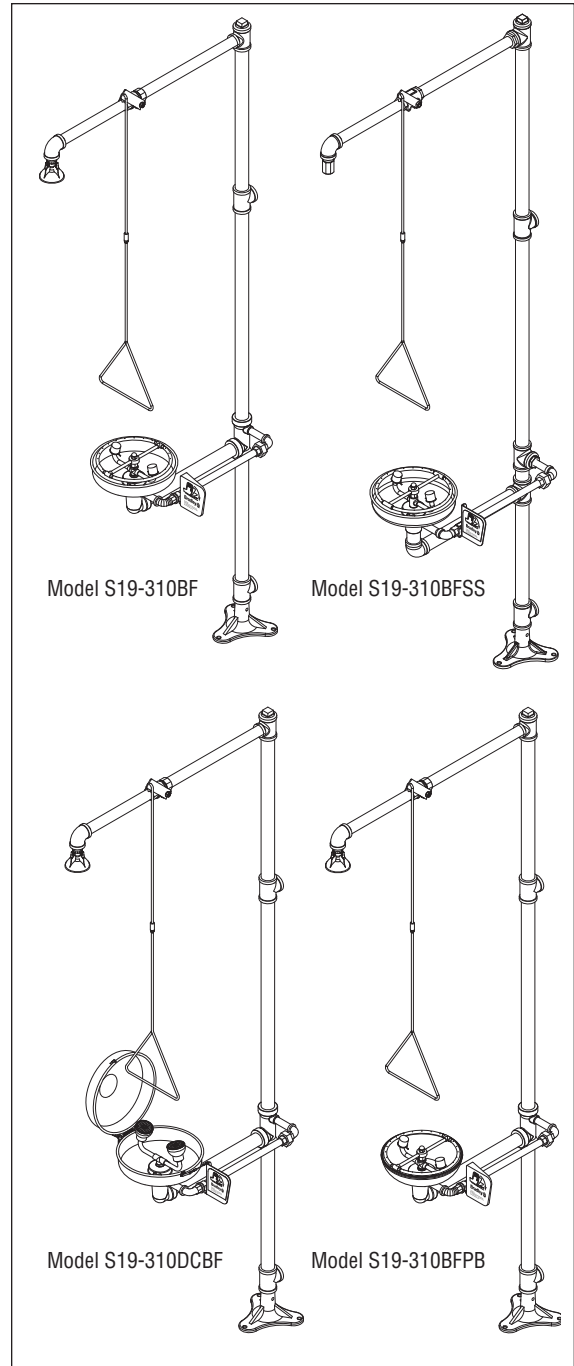
Chrome-plated circular spray ring provides supplemental face spray. Flow control assures adequate flow from eyewash nozzles and face spray ring from 30-90 PSI.

Pipe and Fittings

1 1/4" galvanized steel with BRADTECT™ safety yellow coating. S19-310BFSS is stainless steel.

Water Supply

1 1/4" NPT.



Recommended Option:
 Navigator S19-2100 EFX25
 Emergency Thermostatic Mixing Valve

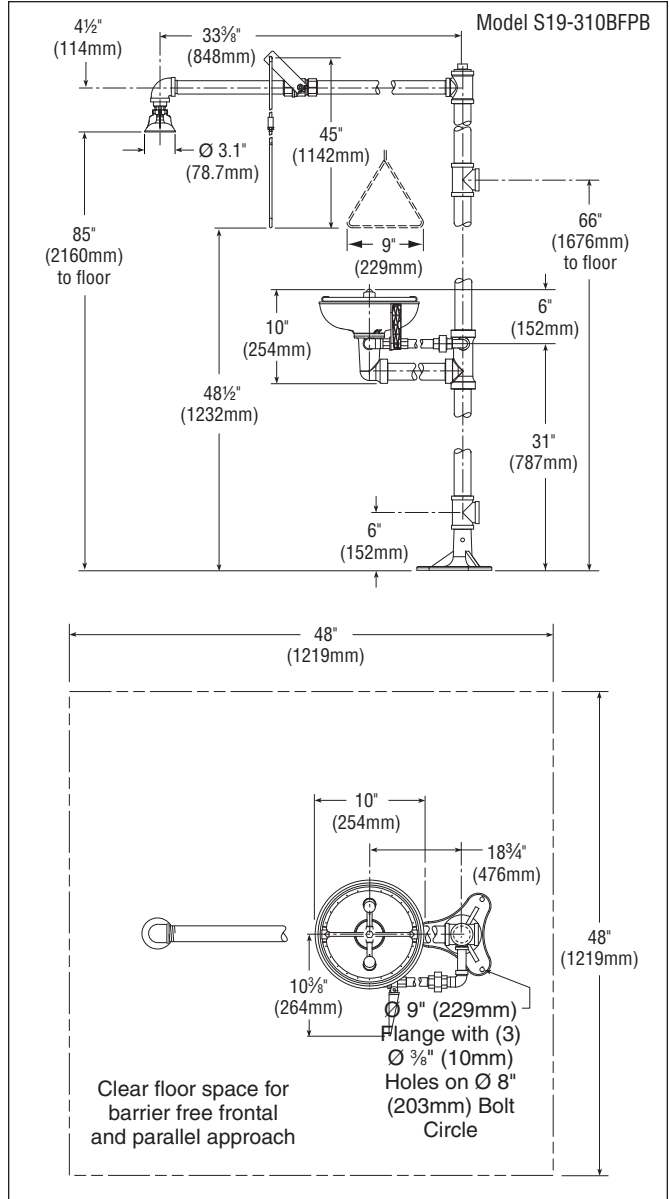
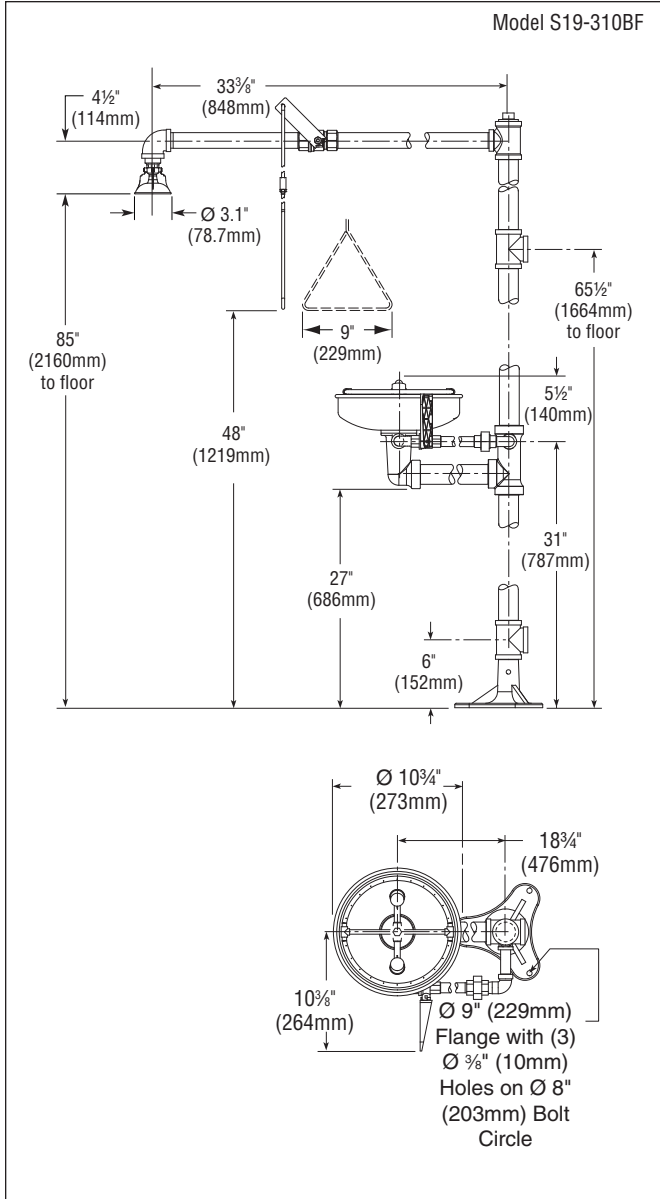
NAVIGATOR

Satisfies ANSI Z358.1-2004 tepid water requirements.

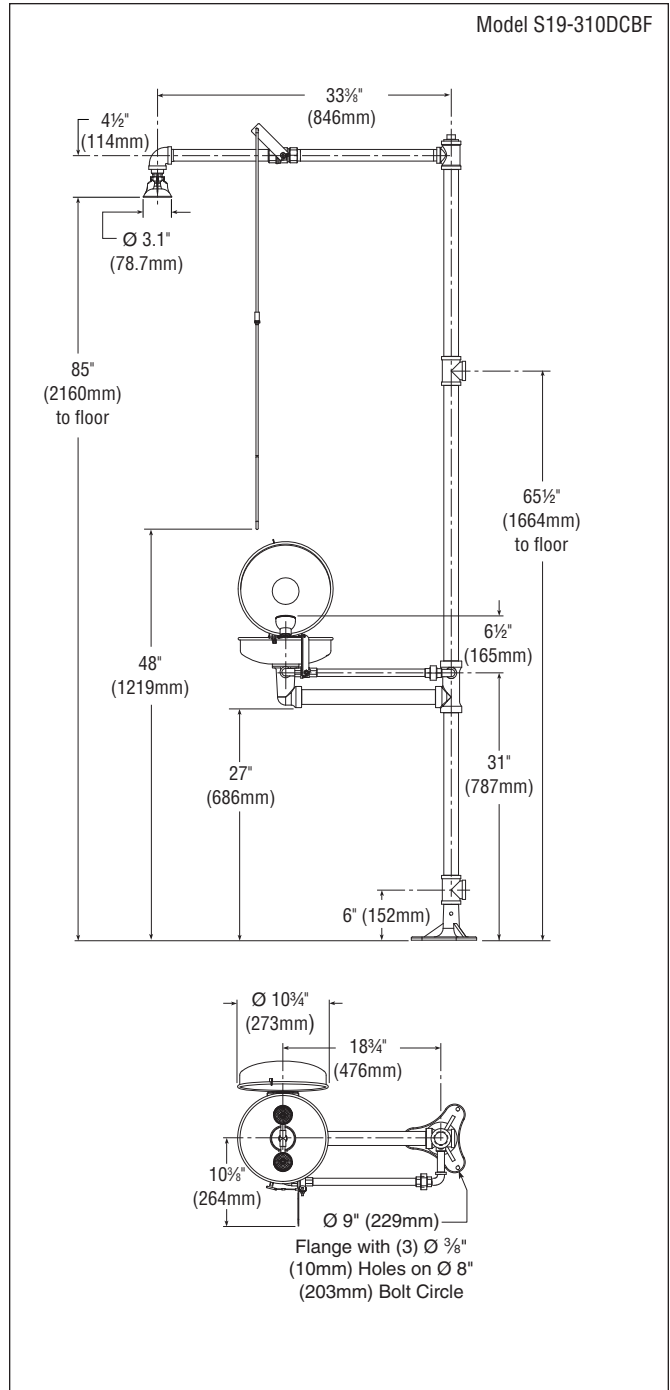
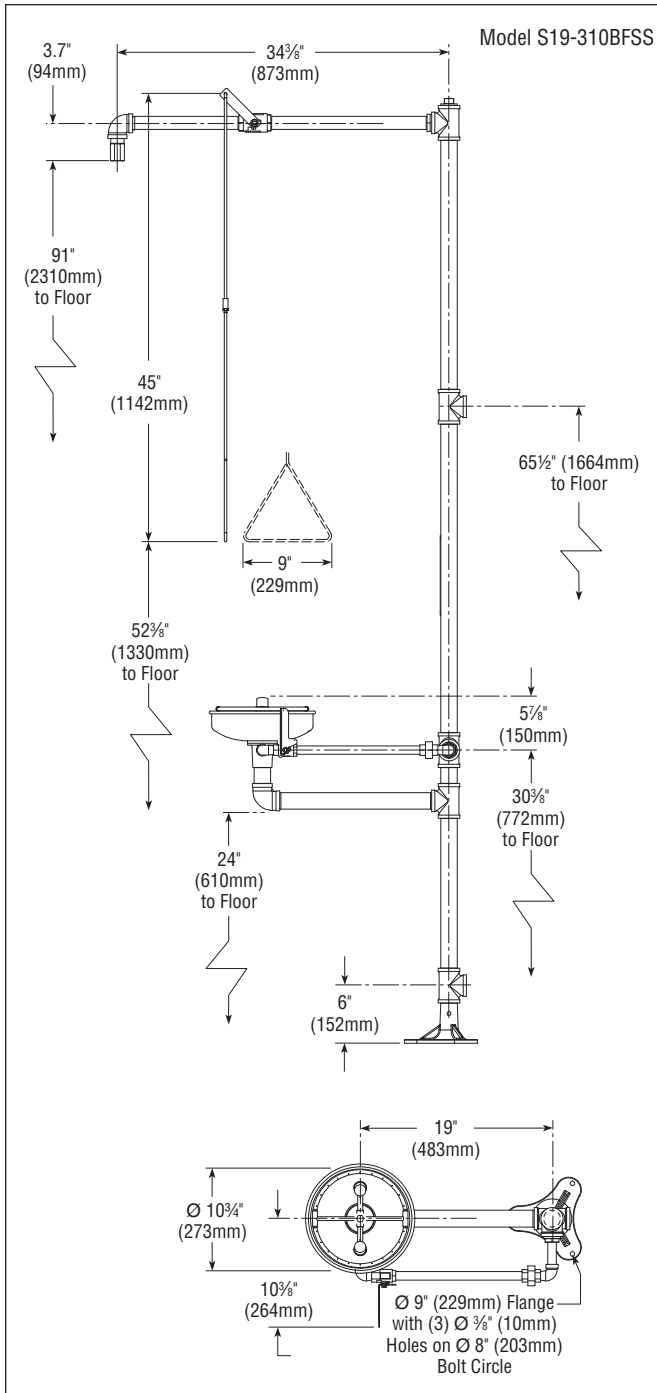
Model	Description
<input type="checkbox"/> S19-310BF	Barrier-Free Drench Shower and Eye/Face Wash with Face Spray Ring and Stainless Steel Bowl
<input type="checkbox"/> S19-310BFPB	Barrier-Free Drench Shower and Eye/Face Wash with Face Spray Ring and Plastic Bowl
<input type="checkbox"/> S19-310BFSS	Barrier-Free Drench Shower and Eye/Face Wash with Face Spray Ring- All Stainless Steel Unit
<input type="checkbox"/> S19-310DCBF	Barrier-Free Drench Shower and Eye/Face Wash with Hinged Dust Cover
<input type="checkbox"/> S19-2100	Navigator EFX25 - Emergency Thermostatic Mixing Valve



Local codes may require the installation of a backflow prevention valve to complete proper installation. Compliance with local codes is the responsibility of the installer. Valve must be tested annually to verify that it is functioning properly. Backflow prevention valves are not included with the fixture and may be supplied by the contractor or purchased from Bradley Corporation.



All dimensions assume standard thread engagement. Variations in manufacturing allow for +/- 1/8" (3mm) per threaded joint. To find the tolerance of a dimension, add the number of thread joints in between a dimension and multiply it by 1/8" (3mm).



All dimensions assume standard thread engagement. Variations in manufacturing allow for +/- 1/8" (3mm) per threaded joint. To find the tolerance of a dimension, add the number of thread joints in between a dimension and multiply it by 1/8" (3mm).