

SPEAKMAN COMPANY

SE-260 Installation, Maintenance & Operation Instructions

LIFESAVER® EMERGENCY SHOWER

DESCRIPTION

Floor mounted emergency deluge shower supplied with frost-proof hydrant activated by panic handle. (Standard valve bury depth is 42")

SPECIFICATIONS

SHOWER HEAD: 8" Dia. CYCLOAC® Yellow Plastic.
FLOW CONTROL: Internal 20 gpm Regulator.
FROST-PROOF HYDRANT: 1-1/2" NPT Female Brass.
ACTIVATOR: 3/4" Dia. Brass Casted Handle.
STANCHION: 1-1/4" IPS Galvanized Steel.
INLET: 1-1/2" NPT Female.
FLOOR FLANGE: Brass Casting with (3) 17/32" Dia. Mounting Holes on 9" Dia. Bolt Circle, Spaced 120° Apart.
FINISH: Safety Green.
SHIPPING WEIGHT: 74 lb.
EMERGENCY SIGN: 7-7/8" x 7-7/8" Plastic Wall Sign.

OPTIONS

◇ AL2 (Electrical Alarm)	◇ BH (Brass Shower Head)
◇ AL3 (Electrical Alarm)	◇ SSH (Stainless Steel Shower Head)
◇ AL2-C1D2 (Electrical Alarm / Haz. Area)	◇ VPL (Vapor Proof Light)
◇ AL3-C1D2 (Electrical Alarm / Haz. Area)	◇ SGN5 (Shower Floor Sign)
◇ FLW (Flow Switch)	◇
◇ PC (Polished Chrome Shower Head)	◇

INSTALLATION

Review drawing (as shown on other side) to assure proper installation and assembly of emergency shower and frost-proof hydrant. The hydrant is designed to be buried and connected to a under ground supply, that has a 1-1/2" minimum uninterrupted source of potable water. Failure to use potable water can result in emergency units producing impure or contaminated water causing possible further injury. *Be sure that the hydrant is as plumb as possible, and that a minimum of (3) cubic feet of crushed stone is around the supply to allow proper drainage of hydrant.* Mount the bottom stanchion section to an adequate base using suitable anchors. Assemble shower head to shower arm using thread sealant that is applicable for ABS plastic. Assemble top section, and shower arm to bottom section, use thread sealant on all piping connections. Assemble hydrant to the shower stanchion (1-1/2" union), using pipe dope on this connection.

OPERATION

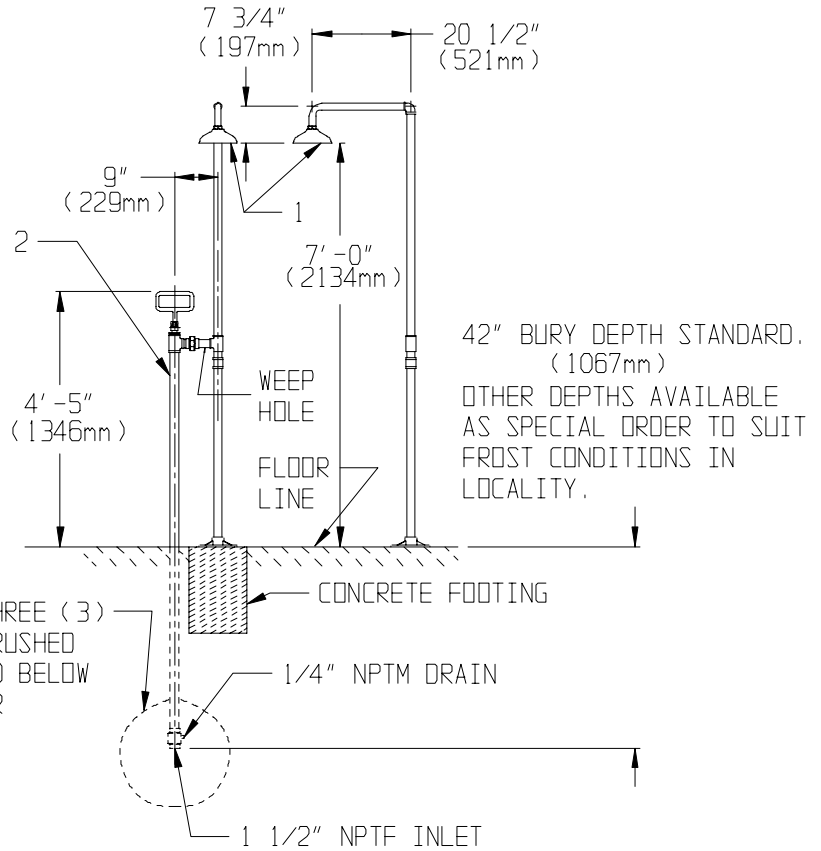
This unit is operated by pushing or pulling the panic handle 90° to the horizontal position. Once activated the water will continue to discharge until the handle is manually put back in the vertical off position.

TESTING PROGRAM

The American National Standards Institute (ANSI) states that all safety emergency equipment shall be activated on a weekly basis to flush the line and verify proper operation. Speakman Company furnishes a testing record tag (91-0635) with each unit. On this tag the date of inspection and the inspectors initials should be noted.

MAINTENANCE

Should you need parts to repair this unit, please reference the parts listing below for correct part numbers. Reference additional technical sheet (supplied) for information on the SE-870 shower head. Before any maintenance is done **be sure to shut the water supply off.**



WARNING: Use only genuine Speakman parts when repairing or replacing components. To order parts call 1-800-537-2107.

SE-260 REPLACEMENT/REPAIR PARTS

<u>ITEM</u>	<u>PART/GROUP #</u>	<u>DESCRIPTION</u>
1	SE-870	8" Plastic Shower Head
2	G20-1722	1-1/2" Frost Proof Hydrant

FLOW DATA

SHOWER:

FLOW PRESSURE PSI (BAR)	20 (1.38)	60 (4.14)
FLOW RATE GPM (LPM)	20 (75)	25 (94)

NOTE: This unit should be connected to an uninterrupted source of potable water, with a minimum flowing pressure of 20 PSI and a maximum static pressure of 80 PSI.

Note: All units meet existing ANSI Z358.1 1998 Standards and OSHA Rules. Product improvements may cause specification and dimensional changes without notice.

SPEAKMAN®

PO Box 191 Wilmington, DE 19899 Phone: 800-537-2107 Fax: 800-977-2747
 Visit us on the web at www.speakmancompany.com