

SPEAKMAN®

SE-260

LIFESAVER® EMERGENCY SHOWER

DESCRIPTION

The SE-260 Lifesaver® freeze protected emergency shower features a floor mounted emergency deluge shower supplied with frost-proof hydrant activated by panic handle.

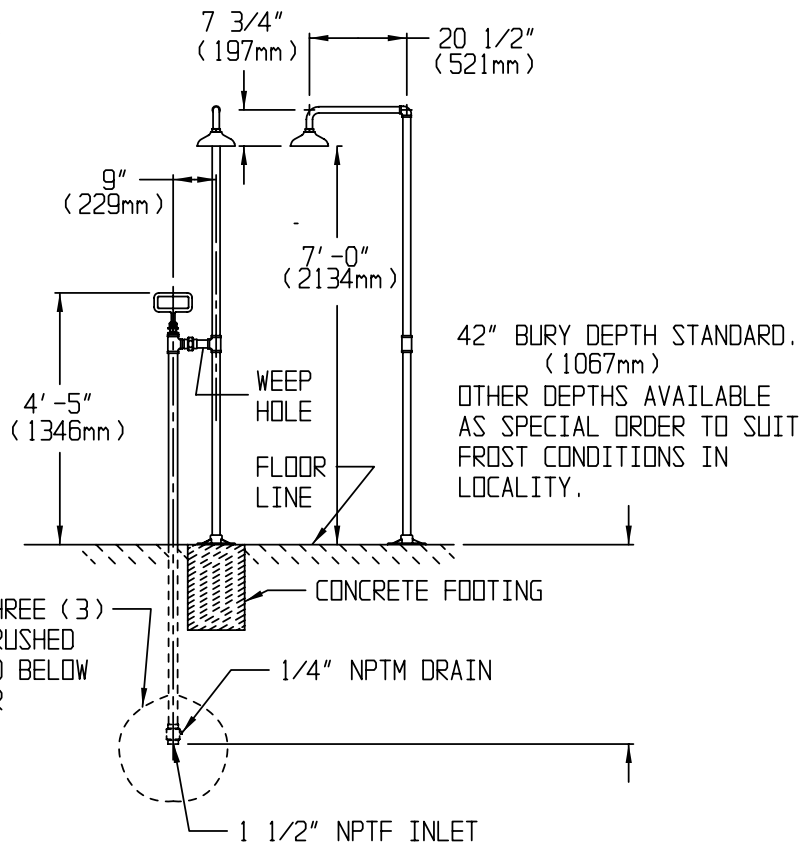
SPECIFICATIONS

- Showerhead: 8" Cicolac® yellow plastic
- Flow Control: Internal 20 gpm regulator
- Frost Proof Hydrant: 1½" NPT female brass
- Standard Bury Depth: 42"
- Activator: ¾" diameter brass coated handle
- Inlet: 1½" NPT female
- Performance: 20 gpm @ 20 psi
- Compliance: ANSI Z358.1
- Universal Emergency Sign Included

NOTE: The maximum "static" pressure allowable for this unit is 80 psi

OPTIONS

- BH Brass showerhead
- FLW Flow switch
- SSH Stainless steel showerhead



Job Name _____
Location _____
Architect/Engineer _____
Sales Representative _____
Wholesaler _____
Date _____ Model # _____