

SPEAKMAN COMPANY

SE-556 Installation, Maintenance & Operation Instructions

EYESAVER® EYEWASH

DESCRIPTION

Pedestal mounted emergency eyewash. Supplied with plastic bowl, frost-proof hydrant activated by panic handle, aerated spray outlets individually adjustable for maximum performance with dust caps and galvanized steel pipe with drain tee and floor flange. (Standard valve bury depth is 42")

SPECIFICATIONS

- BOWL: Acrylic/PVC Thermoplastic.
- SPRAY HEADS: (2) Brass, Chrome-Plated, Aerated.
- FROST-PROOF VALVE: 1" NPT Female Brass.
- ACTIVATOR: 3/4" Dia. Brass, Casted Handle.
- INLET: 1" NPT Female.
- PIPE: 1-1/4" IPS Galvanized Steel.
- FLOOR FLANGE: Brass Casting with (3) 17/32" Dia. Mounting Holes on 9" Dia. Bolt Circle, Spaced 120° Apart.
- WASTE: 1-1/4" NPT Female.
- FINISH: Safety Green Paint.
- SHIPPING WEIGHT: 28 lb.
- EMERGENCY SIGN: 7-7/8" x 7-7/8" Plastic Wall Sign.

NOTE: Bury depth can vary upon request.

OPTIONS

◇ AL2 (Electrical Alarm)	◇ FLW (Flow Switch)
◇ AL3 (Electrical Alarm)	◇ VPL (Vapor Proof Light)
◇ AL2-C1D2 (Electrical Alarm / Haz. Area)	◇ SGN4 (Eye Wash Floor Sign)
◇ AL3-C1D2 (Electrical Alarm / Haz. Area)	◇

INSTALLATION

Review drawing (as shown on other side) to assure proper installation and assembly of emergency eyewash and frost-proof hydrant. The hydrant is designed to be buried and connected to a under ground supply, that has a 1" minimum uninterrupted source of potable water. Failure to use potable water can result in emergency units producing impure or contaminated water causing possible further injury. *Be sure that the hydrant is as plumb as possible, and that a minimum of (3) cubic feet of crushed stone is around the supply to allow proper drainage of hydrant.* Mount the stanchion to an adequate base using suitable anchors. Rest the eyewash bowl on the rubber washer and drain spud making sure to get the bowl level as possible. This will insure a proper flow pattern, and avoid any unnecessary water spillage. Use thread sealant on all piping connections. Assemble hydrant to the eye/face wash (3/4" union), using pipe dope on this connection.

OPERATION

This unit is operated by pushing or pulling the panic handle 90° to the horizontal position. Once activated the water will continue to discharge until the handle is manually put back in the vertical off position.

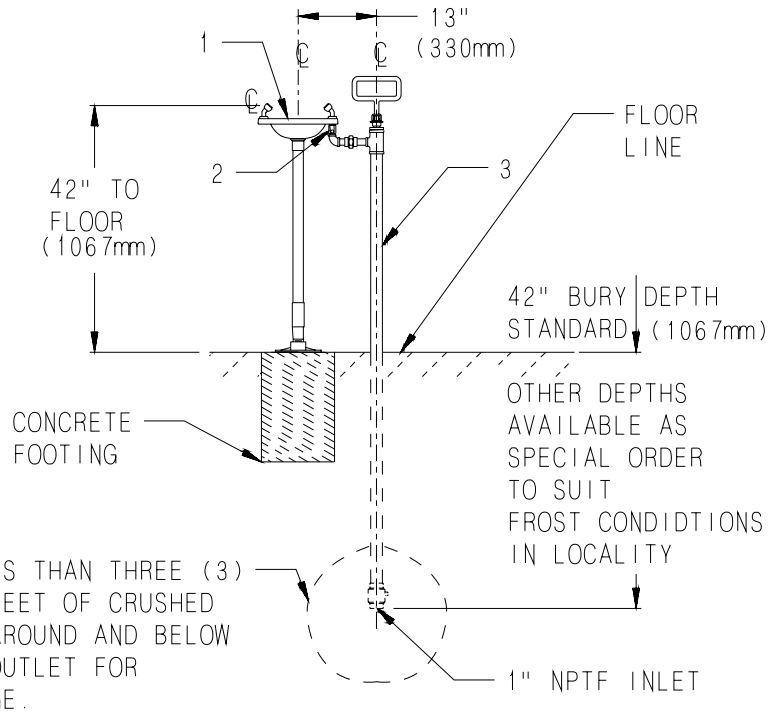
TESTING PROGRAM

The American National Standards Institute (ANSI) states that all safety emergency equipment shall be activated on a weekly basis to flush the line and verify proper operation. Speakman Company furnishes a testing record tag (91-0635) with each unit. On this tag the date of inspection and the inspectors initials should be noted.

MAINTENANCE

The valve and the eyewash are the only portions of the unit that may require maintenance. Should you need parts to repair this unit, please reference the parts listing below for correct part numbers. Reference additional technical sheet (supplied) for information on the SE-506 eyewash. Before any maintenance is done **be sure to shut the water supply off.**

WARNING: Use only genuine Speakman parts when repairing or replacing components. To order parts call 1-800-537-2107.



SE-556 REPLACEMENT/REPAIR PARTS

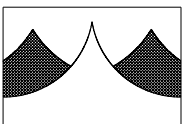
<u>ITEM</u>	<u>PART/GROUP #</u>	<u>DESCRIPTION</u>
1	SE-506	Eyewash
2	G20-1720-RCP-P	1/2" Volume Control
3	G20-1723	Frost-Proof Hydrant

FLOW DATA

EYEWASH:

FLOW PRESSURE PSI (BAR)	30 (2.07)
FLOW RATE GPM (LPM)	3 (11)

NOTE: This unit should be connected to an uninterrupted source of potable water, with a minimum flowing pressure of 20 PSI and a maximum static pressure of 80 PSI.



SPEAKMAN COMPANY
 The Quality leader Since 1869
 P.O. Box 191, Wilmington, DE 19899-0191 USA
 1-800-537-2107, Fax: 1-800-977-2747

Note: All units meet existing ANSI Z358.1 1998 Standards and OSHA Rules. Product improvements may cause specification and dimensional changes without notice.