

SPEAKMAN COMPANY

SE-575 Installation, Maintenance & Operation Instructions

EYESAVER® EYE/FACE WASH

DESCRIPTION

Wall mounted emergency eye/face wash. Supplied with stay-open full flow ball valve; activated by stainless steel push handle; twin spray heads with individual flow restrictors, and flip-off dust covers.

SPECIFICATIONS

SPRAY HEADS: (2) Yellow ABS Plastic Spray Outlet, Sprayface, and Dust Cover.

VALVE: 1/2" NPT Female Brass, Chrome-Plated.

ACTIVATOR: Stainless Steel Push Handle.

INLET: 1/2" NPTM.

SHIPPING WEIGHT: 4.43 lbs.

EMERGENCY SIGN: 7-7/8" x 7-7/8" Plastic Wall Sign.

OPTIONS

◇ AL1 (Air Horn Alarm)	◇ HS (Hand-held Spray)	◇ SSBV1 (1" Stainless Steel Valve)
◇ AL2 (Electrical Alarm)	◇ PT (P-Trap)	◇ SSBV2 (1/2" Stainless Steel Valve)
◇ AL3 (Electrical Alarm)	◇ SGN4 (Eye Wash Floor Sign)	◇ ILS (In-Line Strainer)
◇ AL2-C1D2 (Electrical Alarm / Haz. Area)	◇ FPV (Anti-Freeze Protection Valve)	◇ VPL (Vapor Proof Light)
◇ AL3-C1D2 (Electrical Alarm / Haz. Area)	◇ SPV (Anti-Scald Protection Valve)	◇
◇ FLW (Flow Switch)	◇ VPL (Vapor Proof Light)	◇

INSTALLATION

Review drawing (as shown on other side) to assure proper installation. If unit is being mounted on a wall, drill a hole in wall 38-1/2" above floor for piping eye/face wash to a supply. Be sure to leave a minimum of 6-1/2" between center of valve and finished wall, for handle clearance when operating. Connect a water supply to the unit (use pipe sealant on all joints) that is a 1/2" minimum uninterrupted source of potable water. Failure to use potable water can result in emergency units producing impure or contaminated water causing possible further injury. Make sure unit is level so that an even spray pattern will be produced by eye/face wash.

OPERATION

The eye/face wash is activated by pushing the push handle back 90°. Once the unit is activated, water will discharge from the spray outlets until the trigger bar is manually pulled back to the off position.

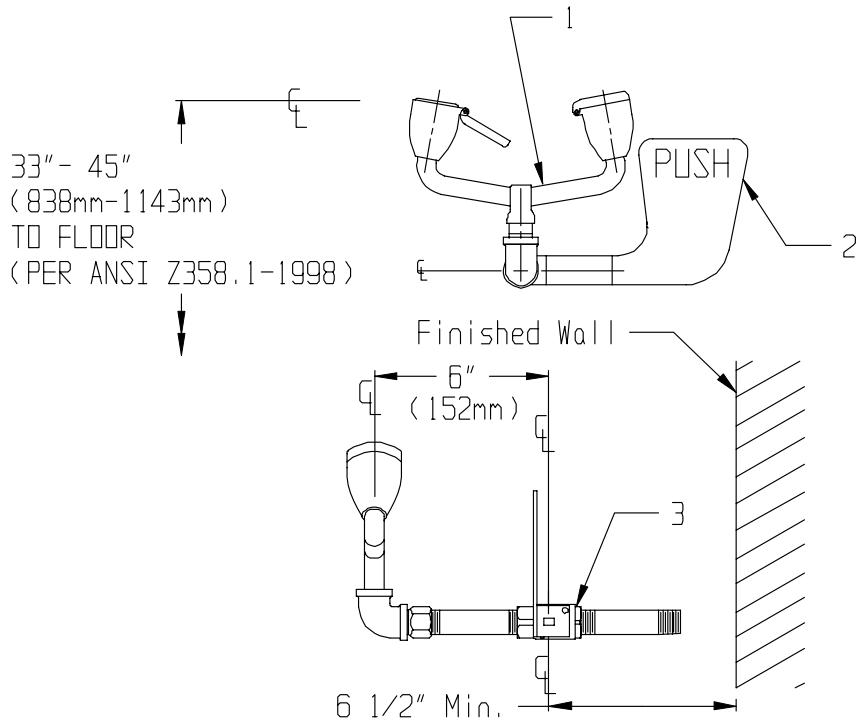
TESTING PROGRAM

The American National Standards Institute (ANSI) states that all safety emergency equipment shall be activated on a weekly basis to flush the line and verify proper operation. Speakman Company furnishes a testing record tag (91-0635) with each unit. On this tag the date of inspection and the inspectors initials should be noted.

MAINTENANCE

The valve and the eyewash are the only portions of the unit that may require maintenance. Should you need parts to repair this unit, please reference the parts listing below for correct part numbers. Before any maintenance is done **be sure to shut the water supply off.**

WARNING: Use only genuine Speakman parts when repairing or replacing components. To order parts call 1-800-537-2107.



SE-575 REPLACEMENT/REPAIR PARTS

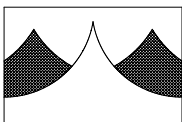
<u>ITEM</u>	<u>PART/GROUP #</u>	<u>DESCRIPTION</u>
1	G05-0715	Bullhorn & Sprayhead Assy.
2	04-0524	Paddle Handle
3	20-0953	1/2" Ball Valve Brass RNP

FLOW DATA

EYE/FACE WASH:

FLOW PRESSURE	PSI (BAR)	30 (2.07)
FLOW RATE	GPM (LPM)	3.82 (14.5)

NOTE: This unit should be connected to an uninterrupted source of potable water, with a minimum flowing pressure of 30 PSI and a maximum static pressure of 125 PSI.



SPEAKMAN COMPANY
 The Quality leader Since 1869
 P.O. Box 191, Wilmington, DE 19899-0191 USA
 1-800-537-2107, Fax: 1-800-977-2747

Note: All units meet existing ANSI Z358.1 1998 Standards and OSHA Rules. Product improvements may cause specification and dimensional changes without notice.