

SPEAKMAN COMPANY
SE-597 Installation, Maintenance & Operation Instructions
EYESAVER® EYEWASH

DESCRIPTION

Portable emergency eyewash. Supplied with stainless steel tank, pressure gauge, air filler, pressure relief valve, and drench hose activated by squeeze handle with aerated spray nozzle, and dust cover.

SPECIFICATIONS

TANK: 5 Gallon Stainless Steel.

DRENCH HOSE:

VALVE: 3/8" NPT Female Brass, Chrome-Plated.

HOSE: 6' Reinforced, 750 PSI Burst Pressure, Hose Clip for Valve.

SPRAYHEAD: 1-1/2" Diameter Chrome Plated Brass

SHIPPING WEIGHT: 13 lb.

INSTALLATION

Failure to use potable water can result in emergency units producing impure or contaminated water causing possible further injury. Fill tank with 4 gallons of water, and pressurize tank with 95-100 psi air.

OPERATION

The drench hose is activated by applying pressure to the valve handle. The self-closing valve will open and an aerated flow of water will discharge from the outlet. Water will continue to flow as long as the handle is depressed. Once pressure on the handle is released, the valve will immediately shut off.

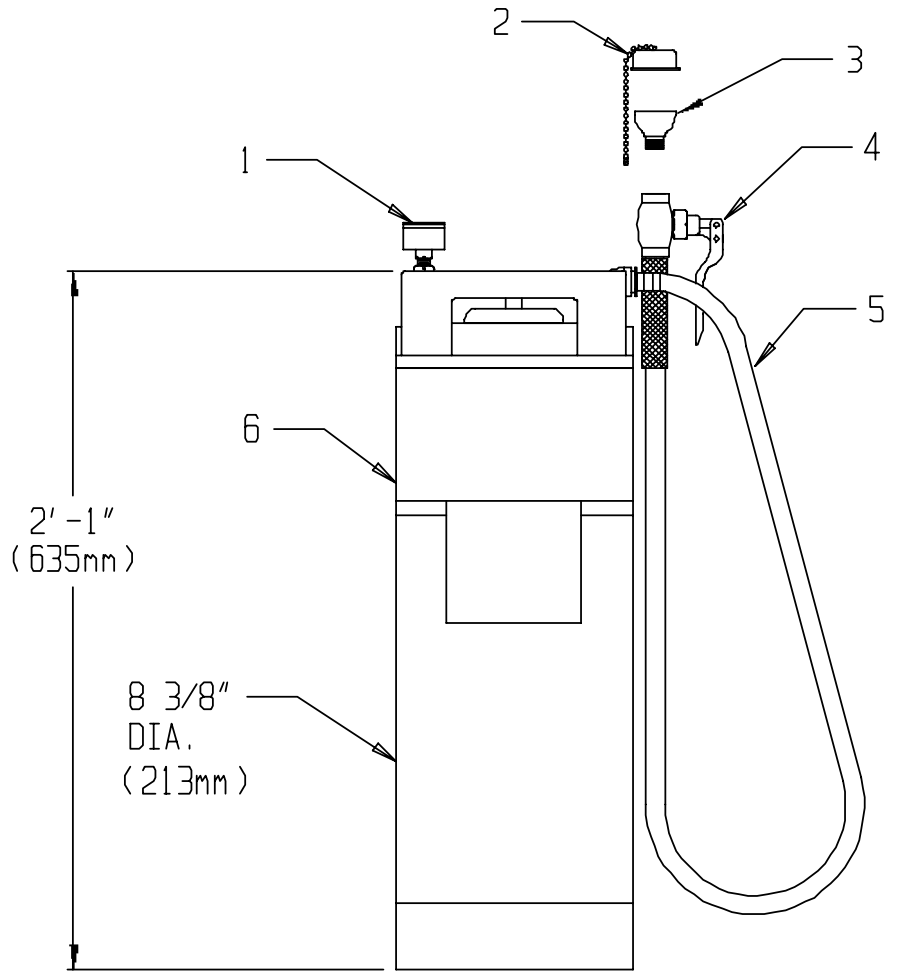
TESTING PROGRAM

The American National Standards Institute (ANSI) states that all safety emergency equipment shall be activated on a weekly basis to flush the line and verify proper operation. Speakman Company furnishes a testing record tag (91-0635) with each unit. On this tag the date of inspection and the inspectors initials should be noted.

MAINTENANCE

The valve and the eyewash are the only portions of the unit that may require maintenance. Should you need parts to repair this unit, please reference the parts listing below for correct part numbers. Before any maintenance is done **be sure to shut the water supply off.**

WARNING: Use only genuine Speakman parts when repairing or replacing components. To order parts call 1-800-537-2107.



SE-597 REPLACEMENT/REPAIR PARTS

<u>ITEM</u>	<u>PART/GROUP #</u>	<u>DESCRIPTION</u>
1	051671-MO	Pressure Gage
2	RPG05-0567-MO	Dust Cap
3	G38-0407	Sprayhead Assembly
4	G20-0584-MO	3/8" Self-Closing Valve
5	G63-0031-PC	Hose Assembly
6	05-1740	Tank- 5 Gal S/S

FLOW DATA

EYEWASH:

FLOW RATE GPM (LPM)	.4 (1.5) For 7 minutes.
---------------------	-------------------------

SPEAKMAN®

PO Box 191 Wilmington, DE 19899 Phone: 800-537-2107 Fax: 800-977-2747
 Visit us on the web at www.speakmancompany.com