

# SPEAKMAN®

## SE-603-ADA

### SAFE-T-ZONE® EMERGENCY SHOWER AND EYE/FACE WASH

#### DESCRIPTION

Floor mounted emergency deluge shower and aerated eye/face wash combination unit. Shower is supplied with a 1" NPTF stay-open full flow ball valve, activated by triangular pull handle. Eye/face wash is supplied with 1/2" NPTF stay-open full flow ball valve, activated by push handle.

#### SPECIFICATIONS

**Showerhead:** 8" Dia. CYCOLAC® Yellow Plastic.

**Flow Control:** Internal 20 gpm Restrictor.

**Valve:** 1" NPT Female Brass, Chrome-Plated. Full Flow Stay-Open Ball Valve.

**Activator:** Powder Coated Yellow, Aluminum Triangular Pull Rod.

**Stanchion:** 1-1/4" IPS Steel Piping with Brass Fittings.

**Inlet & Waste:** 1-1/4" NPT Female.

**Floor Flange:** Brass Casting

**Finish:** DuraJade™

#### EYE/FACE WASH: SE-400

**Bowl:** 300 series stainless steel

**Spray Heads:** (6) brass, chrome-plated aerated

**Valve:** 1/2" NPT female brass, chrome-plated

**Activator:** Stainless steel push handle

**Inlet:** 1/2" NPT female

**Strainer:** Brass, chrome-plated, in-line

**Performance:** 9.6 gpm @ 30 psi

**Compliance:** ANSI Z358.1

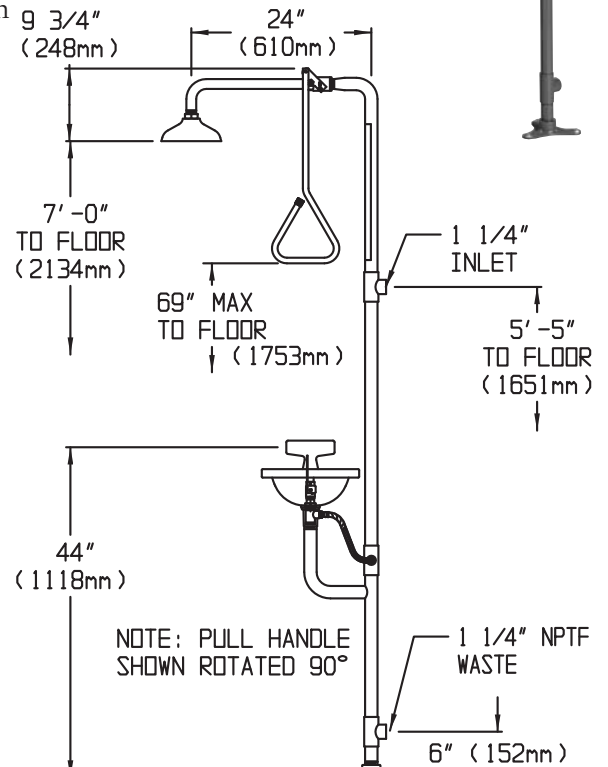
**Universal Emergency Sign Included**

**Compliance:** ANSI Z358.1

**Universal Emergency Sign Included**

#### OPTIONS

- BH Chrome plated brass showerhead
- FLW Flow switch
- FPV Freeze protection valve
- HFO Hand foot operation
- HS Hand held spray
- PC Polished chrome showerhead
- SPR Stainless steel pull rod
- SPV Scald protection valve
- SSBV1 1" stainless steel ball valves
- SSBV2 1/2" stainless steel ball valves
- SSH Stainless steel showerhead
- TS Top supply



Job Name _____	
Location _____	
Architect/Engineer _____	
Sales Representative _____	
Wholesaler _____	
Date _____	Model # _____