

SPEAKMAN COMPANY

SE-616 Installation, Maintenance & Operation Instructions

SAFE-T-ZONE® EMERGENCY SHOWER AND EYEWASH

DESCRIPTION

Floor mounted emergency deluge shower and aerated eyewash combination unit. Shower is supplied with a 1" NPTF stay-open full flow ball valve, activated by triangular pull handle. Eyewash is supplied with 1/2" NPTF stay-open full flow ball valve, activated by trigger bar.

SPECIFICATIONS

SHOWER HEAD: 8" Dia. CYCOLAC® Yellow Plastic.
FLOW CONTROL: Internal 20 gpm Regulator.
VALVE: 1" NPT Female Brass, Chrome-Plated. Full Flow Stay-Open Ball Valve.
ACTIVATOR: Powder Coated Yellow, Aluminum Triangular Pull Rod.
STANCHION: 1-1/4" IPS Steel Piping with Brass Fittings.
INLET & WASTE: 1-1/4" NPT Female.
FLOOR FLANGE: Brass Casting with (3) 17/32" Dia. Mounting Holes on 9" Dia. Bolt Circle, Spaced 120° apart.
FINISH: Safety Green Paint.
EYEWASH: SE-505 (Reference additional SE-505 I,M,O sheet)
SHIPPING WEIGHT: 45 lb.
EMERGENCY SIGN: 7-7/8" x 12" Plastic Wall Sign.

OPTIONS

◇ AL1 (Air Horn Alarm)	◇ HS (Hand-held Spray)	◇ SSBV2 (1/2" Stainless Steel Valve)
◇ AL2 (Electrical Alarm)	◇ PC (Polished Chrome Shower Head)	◇ TS (Top Supply)
◇ AL3 (Electrical Alarm)	◇ BH (Brass Shower Head)	◇ VPL (Vapor Proof Light)
◇ AL2-C1D2 (Electrical Alarm / Haz. Area)	◇ SSH (Stainless Steel Shower Head)	◇ FLW (Flow Switch)
◇ AL3-C1D2 (Electrical Alarm / Haz. Area)	◇ FPV (Anti-Freeze Protection Valve)	◇ SPV (Anti-Scald Protection Valve)
◇ XPR (Extended Pull Rod)	◇ SGN6 (Combination Floor Sign)	◇
◇ HFO (Hand & Foot Operation)	◇ SSBV1 (1" Stainless Steel Valve)	◇

INSTALLATION

When assembling **do not** use wrenches on painted surfaces. Use couplings and pipe to secure and gain leverage. Be sure and use pipe sealant on all threaded connections. When using SE-870 (plastic shower head), use sealant compatible with ABS plastic. Review drawing (as shown on other side) to assure proper location of inlets, outlets, and accessories. The best method to assembling this unit is as follows: (1) Mount the bottom stanchion section to the floor using suitable anchors. Then assemble the middle section and then the top section. (Use pipe sealant on all joints). (2) Rest the eyewash bowl on the rubber washer and drain spud, making sure to get the bowl as level as possible. (3) Once bowl is positioned correctly on spud, apply plumbers putty to drain strainer and tighten with hex tool (supplied). (3) Take 1/2" stainless steel flexible hose and connect it to the 1/2" NPTM supply outlet located on stanchion and 1/2" in-line strainer on eyewash. (4) Assemble pull rod and shower head. (5) Once unit is completely assembled, connect potable water supply to 1-1/4" top inlet, and 1-1/4" waste to bottom outlet. Failure to use potable water can result in emergency units producing impure or contaminated water causing possible further injury. The drain tailpiece or waste should be connected to an adequate drain in compliance with local plumbing codes.

OPERATION

The *shower* is activated by pulling the triangle pull handle. Once the valve is activated the head will continue to discharge water until the valve is manually closed. This is done by pushing up the pull handle to the off position. The *eyewash* is activated by pushing the trigger bar back 90°. The unit will operate until the trigger bar is manually pulled back up to the off position.

TESTING PROGRAM

The American National Standards Institute (ANSI) states that all safety emergency equipment shall be activated on a weekly basis to flush the line and verify proper operation. Speakman Company furnishes a testing record tag (91-0635) with each unit. On this tag the date of inspection and the inspector's initials should be noted.

MAINTENANCE

The valve and the eyewash are the only portion of the unit that may require maintenance. Should you need parts to repair this unit, please reference the parts listing below for correct part numbers. Reference additional technical sheets (supplied) for information on the SE-505 eyewash, SE-911 valve, and the SE-870 shower head. Before any maintenance is done **be sure to shut the water supply off.**

WARNING: Use only genuine Speakman parts when repairing or replacing components. To order parts call 1-800-537-2107.

SE-616 REPLACEMENT/REPAIR PARTS

ITEM	PART/GROUP #	DESCRIPTION
1	SE-911-PR	1" Ball Valve with Pull Rod
2	SE-870	8" Plastic Shower head
3	G47-0046-29	Aluminum Pull Rod
4	SE-505	Eyewash
5	63-0027	S/S Flexible Hose
6	G74-0032	Stanchion Assy.

FLOW DATA

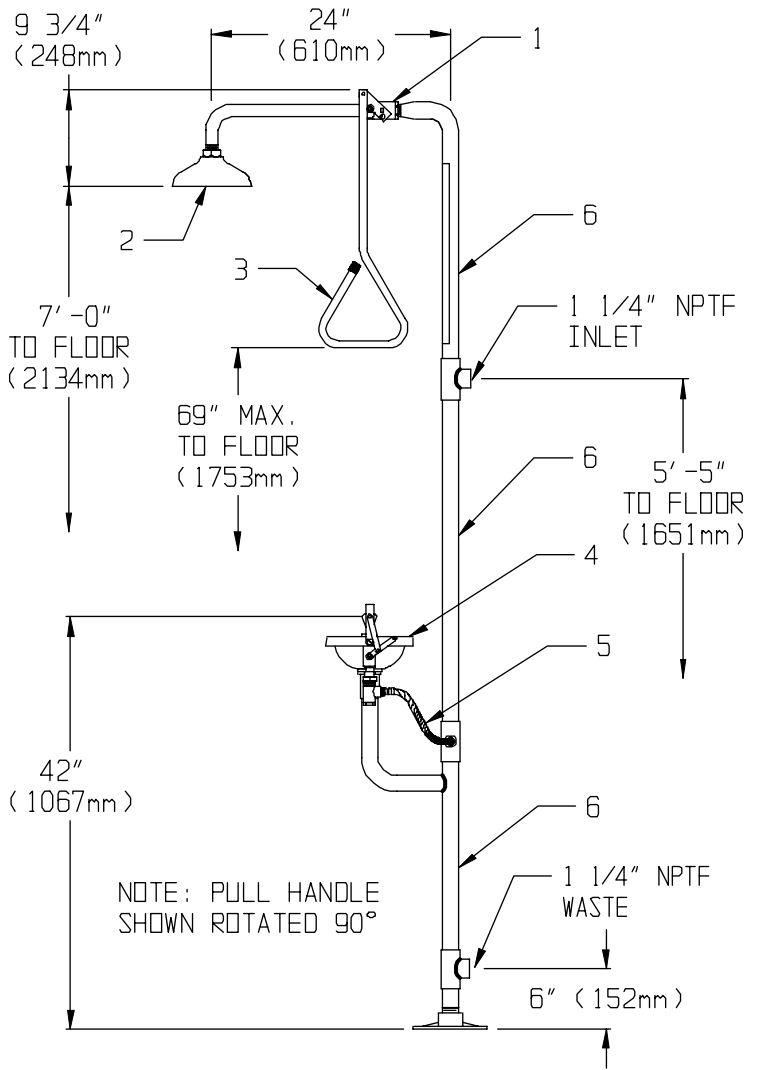
SHOWER:

FLOW PRESSURE PSI (BAR)	30 (2.07)	60 (4.14)
FLOW RATE GPM (LPM)	20 (75)	25 (94)

EYEWASH:

FLOW PRESSURE PSI (BAR)	30 (2.07)
FLOW RATE GPM (LPM)	3 (11)

NOTE: This unit should be connected to an uninterrupted source of potable water, with a minimum flowing pressure of 30 PSI and a maximum static pressure of 125 PSI.



Note: All units meet existing ANSI Z358.1 1998 Standards and OSHA Rules. Product improvements may cause specification and dimensional changes without notice.

SPEAKMAN®