

# SPEAKMAN®

## SE-616

### COMBINATION SHOWER & EYE WASH

#### DESCRIPTION

The SE-616 Safe-T-Zone® features the SE-505 eyewash with two aerated sprays and stainless steel bowl combined on a powder coated galvanized steel stanchion with an impeller action deluge showerhead which is activated by a high visibility yellow pull rod.

#### SPECIFICATIONS

**Showerhead:** 8" diameter Cicolac® yellow plastic

**Flow Control:** Internal 20 gpm regulator

**Valve:** 1" NPT female brass, chrome plated. Full flow stay-open ball valve

**Activator:** Powder coated yellow, aluminum triangular pull rod

**Stanchion:** 1¼" IPS galvanized steel piping with brass fittings

**Inlet & Waste:** 1¼" NPT female

**Performance:** 20 gpm @ 30 psi

**Finish:** Dura Jade powder coated finish

#### EYEWASH: SE-505

**Bowl:** 505 series stainless steel

**Spray Heads:** (2) aerated yellow nylon spray outlets

**Valve:** ½" NPT female brass, chrome-plated.

Full flow stay-open ball valve

**Activator:** Stainless steel trigger bar

**Shrouds:** Yellow polypropylene

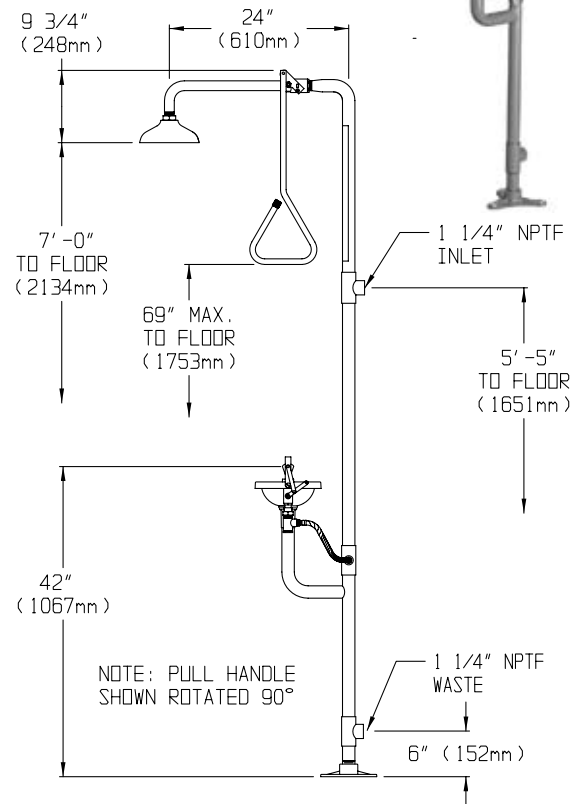
**Performance:** 3.0 gpm @ 30 psi

**Compliance:** ANSI Z358.1

**Universal Emergency Sign Included**

#### OPTIONS

- |                               |                                |
|-------------------------------|--------------------------------|
| <input type="checkbox"/> HFO  | Hand foot operation            |
| <input type="checkbox"/> FPV  | Freeze protection valve        |
| <input type="checkbox"/> SPV  | Scal protection valve          |
| <input type="checkbox"/> FLW  | Flow switch                    |
| <input type="checkbox"/> HS   | Hand held spray                |
| <input type="checkbox"/> TS   | Top supply                     |
| <input type="checkbox"/> SSH  | Stainless steel showerhead     |
| <input type="checkbox"/> SPR  | Stainless steel pull rod       |
| <input type="checkbox"/> SSBV | Stainless steel ball valves    |
| <input type="checkbox"/> BH   | Chrome plated brass showerhead |



Job Name _____
Location _____
Architect/Engineer _____
Sales Representative _____
Wholesaler _____
Date _____ Model # _____