

SPEAKMAN®

SE-618

EYEWASH DECONTAMINATION STATION

DESCRIPTION

The SE-618 is a floor mounted emergency deluge shower and aerated eyewash combination unit. Both shower and eyewash are supplied with a frost-proof hydrant, activated by panic handle.

SPECIFICATIONS

Showerhead: 8" diameter Cylolac® yellow plastic

Frost Proof Hydrant: 1½" NPT female brass

Standard Bury Depth: 42"

Flow Control: Internal 20 gpm regulator

Full flow stay-open ball valve

Activator: ¾" dia. brass casted handle

Stanchion: 1¼" IPS steel piping

Inlet: 1½" NPT female

Waste: 1¼" NPT female

Finish: Dura Jade powder coated finish

Performance: 20 gpm @ 20 psi

EYEWASH: SE-505

Bowl: 300 series stainless steel

Spray Heads: (2) aerated yellow nylon spray outlets

Frost Proof Hydrant: 1" NPT female brass

Standard Bury Depth: 42"

Activator: ¾" Dia. Brass Casted Handle

Inlet: 1" NPT female

Performance: 3.0 gpm @ 30 psi

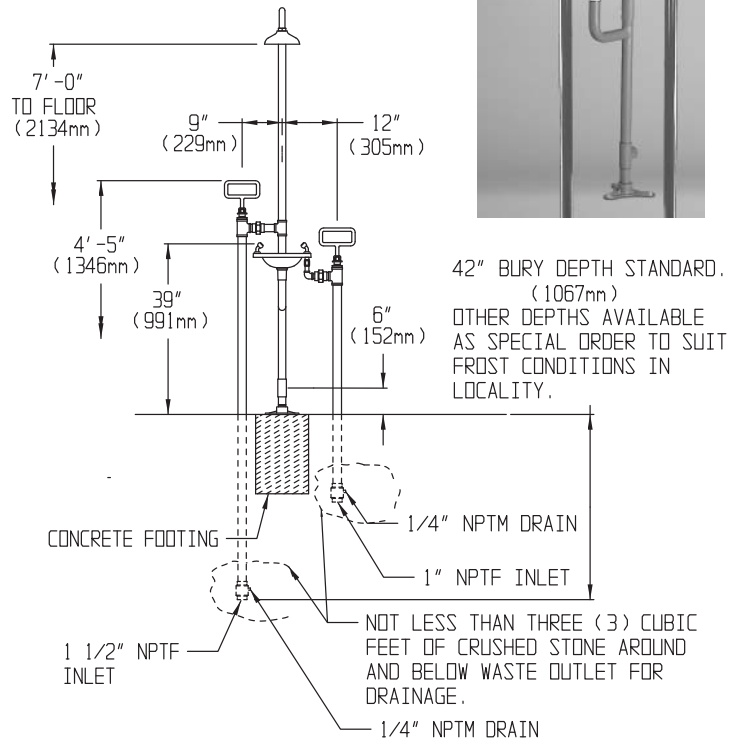
Compliance: ANSI Z358.1

Universal Emergency Sign Included

NOTE: The maximum "static" pressure allowable for this unit is 80psi

OPTIONS

- FLW2 Flow switches (2 Required)
- PC Polished chrome showerhead
- BH Brass showerhead
- SSH Stainless steel showerhead



Job Name _____
Location _____
Architect/Engineer _____
Sales Representative _____
Wholesaler _____
Date _____ Model # _____