

SPEAKMAN COMPANY

SE-619 Installation, Maintenance & Operation Instructions

SAFE-T-ZONE® EMERGENCY SHOWER AND EYEWASH

DESCRIPTION

Floor mounted emergency deluge shower and aerated eyewash combination unit. Both shower and eye/face wash is supplied with a frost-proof hydrant, activated by panic handle.

SPECIFICATIONS

SHOWER HEAD: 8" Dia. CYCOLAC® Yellow Plastic.
 FLOW CONTROL: Internal 20 gpm Regulator.
 FROST-PROOF HYDRANT: 1-1/2" NPT Female Brass.
 ACTIVATOR: 3/4" Dia. Brass Casted Handle.
 STANCHION: 1-1/4" IPS Steel Piping.
 INLET: 1-1/2" NPT Female (Shower)
 1" NPT Female (Eye/Face Wash)
 WASTE: 1-1/4" NPT Female.
 FLOOR FLANGE: Brass Casting with (3) 17/32" Dia. Mounting Holes on
 9" Dia. Bolt Circle, Spaced 120° apart.
 FINISH: Safety Green Paint.
 EYEWASH: SE-506 (Reference additional SE-506 I,M,O sheet)
 SHIPPING WEIGHT: 111 lb.
 EMERGENCY SIGN: 7-7/8" x 12" Plastic Wall Sign.

OPTIONS

◇ AL2 (Electrical Alarm)	◇ FLW (Flow Switch)	◇ VPL (Vapor Proof Light)
◇ AL3 (Electrical Alarm)	◇ PC (Polished Chrome Shower Head)	◇ SGN6 (Combination Floor Sign)
◇ AL2-C1D2 (Electrical Alarm / Haz. Area)	◇ BH (Brass Shower Head)	◇
◇ AL3-C1D2 (Electrical Alarm / Haz. Area)	◇ SSH (Stainless Steel Shower Head)	◇

INSTALLATION

Review drawing (as shown on other side) to assure proper installation and assembly of emergency shower and frost-proof hydrants. The hydrants are designed to be buried and connected to a under ground supply, that has a 1-1/2" minimum uninterrupted source of potable water. Failure to use potable water can result in emergency units producing impure or contaminated water causing possible further injury. *Be sure that the hydrants are as plumb as possible, and that a minimum of (3) cubic feet of crushed stone is around the supplies to allow proper drainage of hydrants.* Mount the bottom stanchion section to an adequate base using suitable anchors. Assemble shower head to shower arm using thread sealant that is applicable for ABS plastic. Assemble top section, and shower arm to bottom section, use thread sealant on all piping connections. Assemble hydrants to the shower stanchion (1-1/2" union) and eyewash (3/4" union), using pipe dope on these connections.

OPERATION

The shower and eyewash are operated by pushing or pulling the panic handles 90° to the horizontal position. Once activated the water will continue to discharge until the handles are manually put back in the vertical off position.

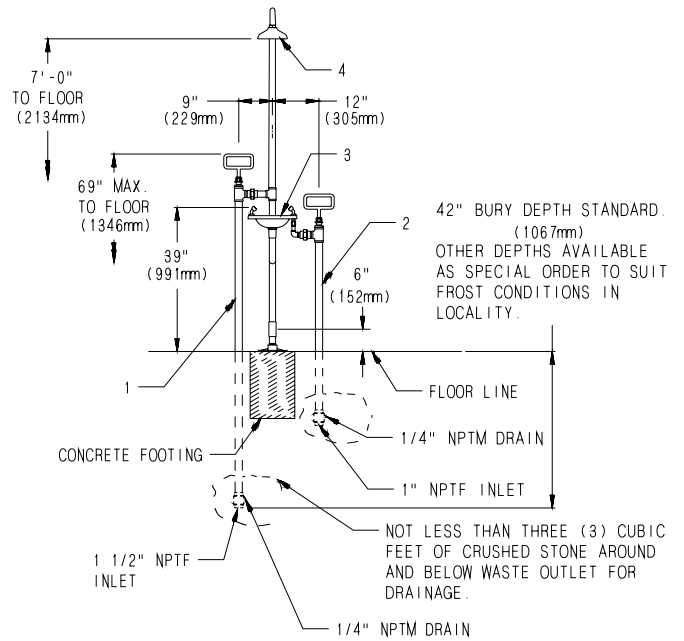
TESTING PROGRAM

The American National Standards Institute (ANSI) states that all safety emergency equipment shall be activated on a weekly basis to flush the line and verify proper operation. Speakman Company furnishes a testing record tag (91-0635) with each unit. On this tag the date of inspection and the inspector's initials should be noted.

MAINTENANCE

The valve and the eye/face wash are the only portion of the unit that may require maintenance. Should you need parts to repair this unit, please reference the parts listing below for correct part numbers. Reference additional technical sheet (supplied) for information on the SE-506 eye/face wash and SE-870 shower head. Before any maintenance is done **be sure to shut the water supply off.**

WARNING: Use only genuine Speakman parts when repairing or replacing components. To order parts call 1-800-537-2107.



SE-619 REPLACEMENT/REPAIR PARTS

<u>ITEM</u>	<u>PART/GROUP #</u>	<u>DESCRIPTION</u>
1	G20-1722	1-1/2" FP Hydrant
2	G20-1723	3/4" FP Hydrant
3	SE-506	Eye wash
4	SE-870	Shower Head

FLOW DATA

SHOWER:

FLOW PRESSURE PSI (BAR)	30 (2.07)	60 (4.14)
FLOW RATE GPM (LPM)	20 (75)	25 (94)

EYEWASH:

FLOW PRESSURE PSI (BAR)	30 (2.07)
FLOW RATE GPM (LPM)	3 (11)

NOTE: This unit should be connected to an uninterrupted source of potable water, with a minimum flowing pressure of 30 PSI and a maximum static pressure of 80 PSI.

Note: All units meet existing ANSI Z358.1 1998 Standards and OSHA Rules. Product improvements may cause specification and dimensional changes without notice.

SPEAKMAN®