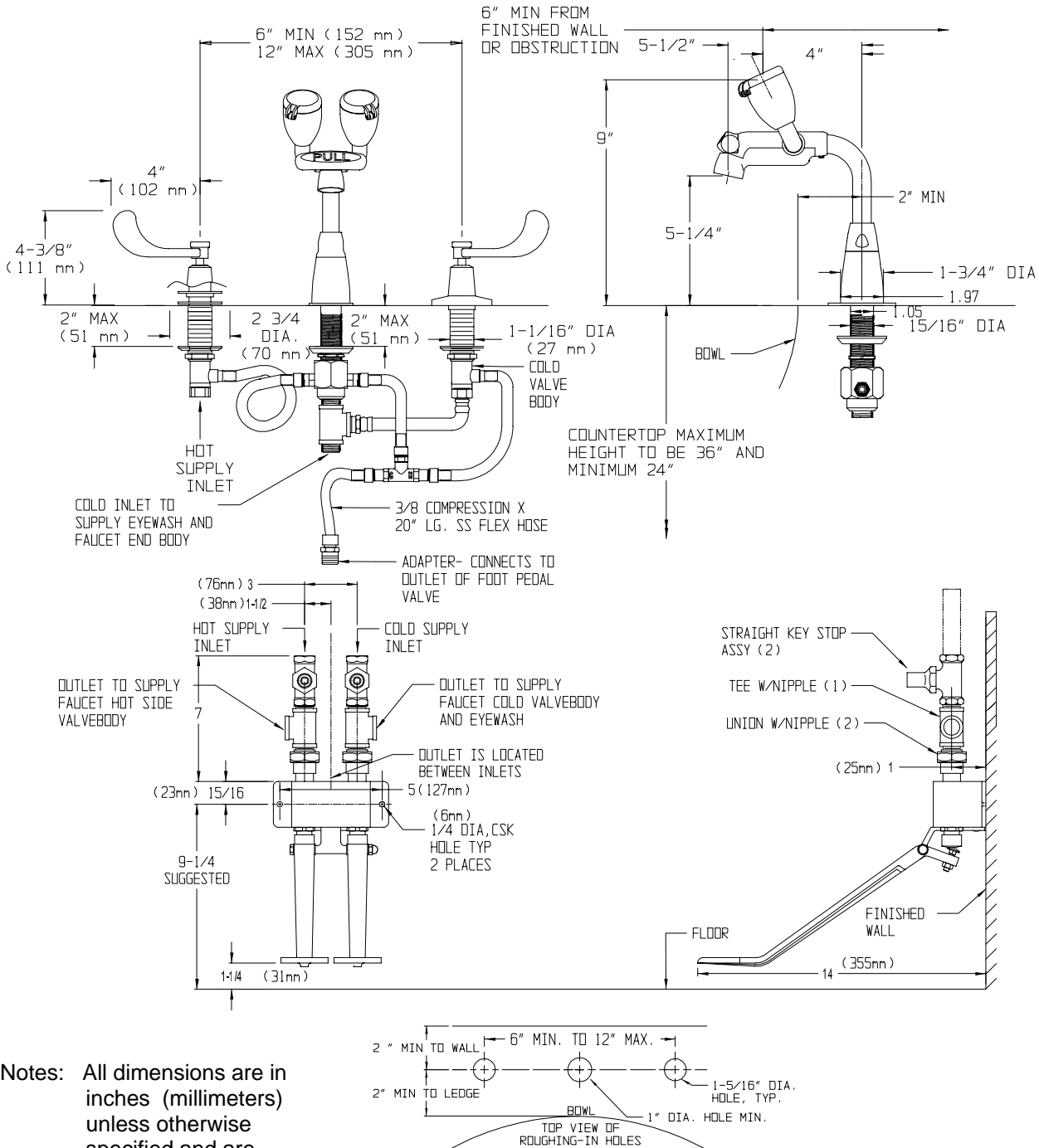


SPEAKMAN SAFETY PRODUCTS

Additional Installation Instructions for SEF-1800-FP EYESAVER® FAUCET

DESCRIPTION

The SEF-1800-FP Eyesaver® faucet combines a gooseneck faucet with an independently operated eyewash. The faucet can be operated by either the Speakman Ceramic Perfect® Valve Bodies or the wall mounted foot pedal valve. The eyewash offers twin aerated sprays and flip top dust covers. See page 4 for available foot pedal options.



Notes: All dimensions are in inches (millimeters) unless otherwise specified and are subject to change.

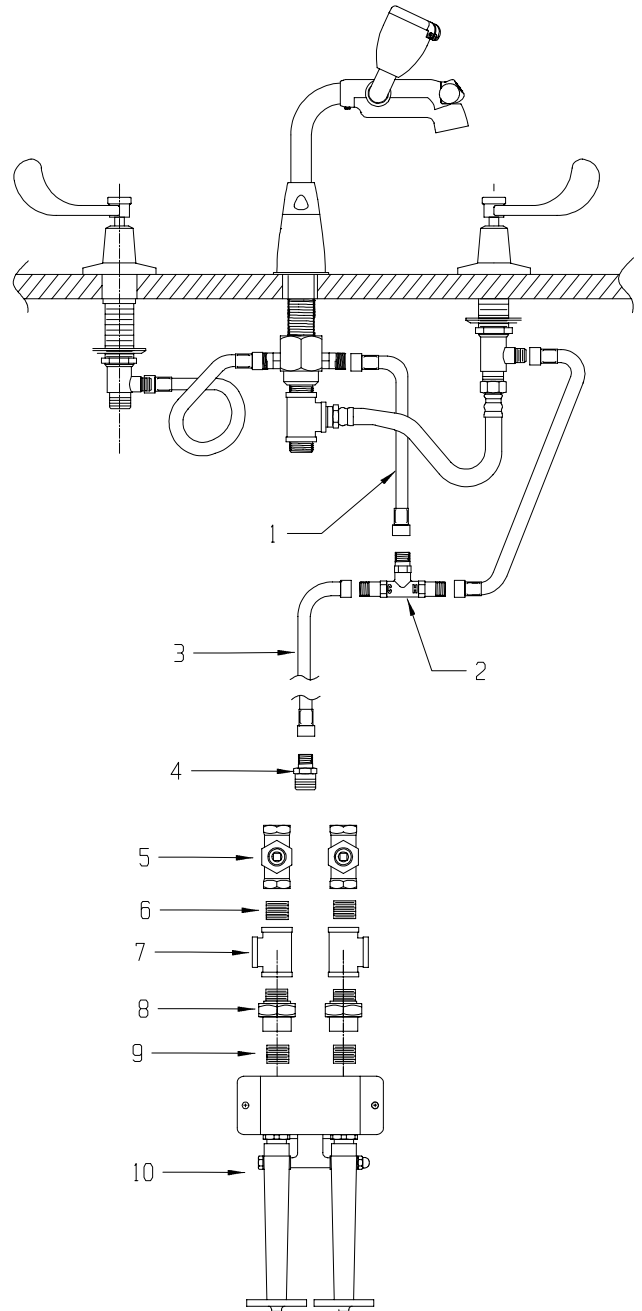
SPEAKMAN®

PO Box 191 Wilmington, DE 19899 Phone: 800-537-2107 Fax: 800-977-2747
Visit us on the web at www.speakmancompany.com

9/07 rev.2
92-2451

ADDITIONAL PACKING LIST for FOOT PEDAL OIPTION

| Item | Description | Qty. |
|------|----------------------------------|------|
| 1 | 3/8" Compression Hose, 6" lg | 1 |
| 2 | 3/8" Compression Tee | 1 |
| 3 | 3/8" Compression Hose, 20" lg. | 1 |
| 4 | 3/8" TO 1/2" Adapter | 1 |
| 5 | Separate Stops (part of Item 10) | 2 |
| 6 | 1/2" Pipe nipples | 2 |
| 7 | 1/2" Tees | 2 |
| 8 | 1/2" Unions (part of Item 10) | 2 |
| 9 | 1/2" Pipe (part of Item 10) | 2 |
| 10 | S-3219-USS, Foot Pedal Valve | 1 |



SPEAKMAN®

PO Box 191 Wilmington, DE 19899 Phone: 800-537-2107 Fax: 800-977-2747
 Visit us on the web at www.speakmancompany.com

9/07 rev.2
 92-2451

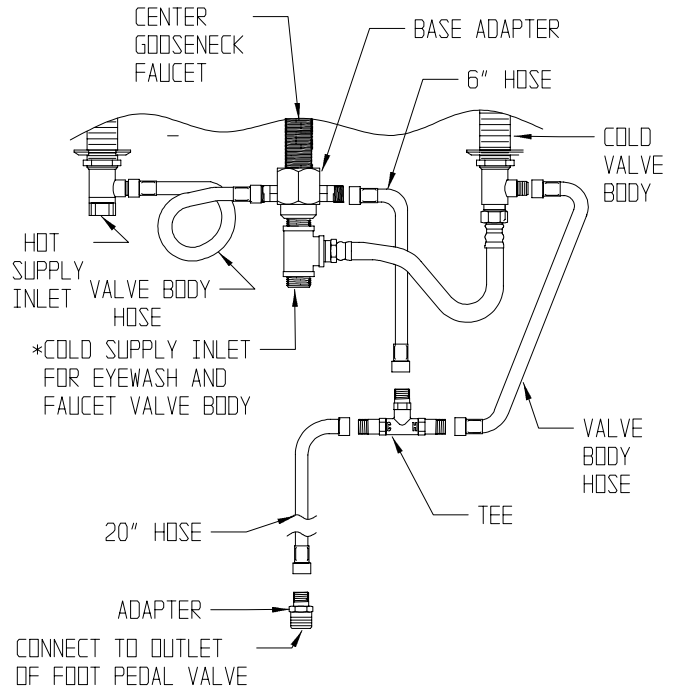
INSTALLATION

Step 1: These instructions provide additional information for adding the necessary connections for a foot pedal option. Follow the instructions for installing the SEF-1800 before following these instructions for adding the foot pedal option.

- a. Verify water supply is off before any work is begun.
- b. Mount the foot pedal valve using the Installation instructions provided for the wall mounted foot pedal valve, S-3219.

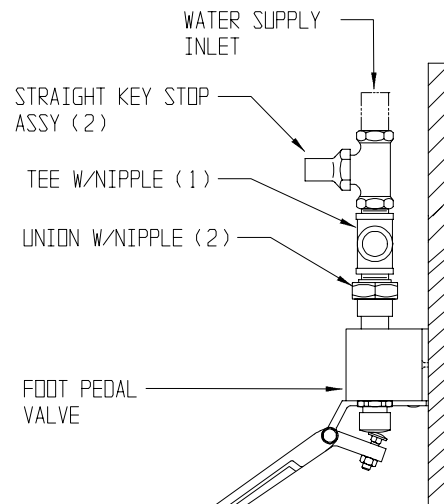
Step 2: Hose Connections-

- a. Unscrew the hose connecting the center gooseneck faucet to the cold valve body.
- b. Connect this hose to the side of the tee with the 'H' on it.
- c. Attach the 6" hose provided from the base adapter to the outlet side of the tee.
- d. Connect the 20" long hose to the inlet side of the tee with the 'C'.
- e. Connect the ½" connection of the adapter to the outlet of the foot pedal valve. Use Teflon tape to seal.
- f. Connect the other end of the 20" long hose to the adapter.



Step 3: Supply Connections-

- a. To supply the unit, the hot and cold water supply both the faucet and foot pedal valves. Supply stops, tees, unions and pipes are supplied to make these connections.
- b. Connect the stop, tee and union together as shown in the figure. Connect the cold supply line to the stop. From the side port of the tee make connection to cold inlet for the faucet and eyewash.
- c. Connect the stop, tee and union together as shown in the figure. Connect the hot supply line to the stop. From the side port of the tee make connection to hot inlet for the faucet.
- d. Using the union, make the connection to the inlet for the foot pedal valves.



Step 4: Unit Flushing-

- a. Before inserting the aerator into the faucet, activate the faucet to flush both the hot and cold sides of the fixture. Check all connections for leaks
- b. Replace aerator into faucet outlet.
- c. Activate the faucet and then activate the eyewash by pulling the handle and assure proper spray formation and no leaks are present. If continuous hot water is felt coming through the eyewash,

SPEAKMAN

PO Box 191 Wilmington, DE 19899

Phone: 800-537-2107 Fax: 800-977-2747

9/07 rev.2
92-2451

Visit us on the web at www.speakmancompany.com

the supply connections are crossed. Undue connections and follow directions in step 3 for proper installation.

IMPORTANT: The supply line for plumbed eyewash units shall provide an uninterrupted supply of flushing fluid at a minimum of 30 psi. of flow pressure. If shut off valves are installed in the supply line of the eyewash for maintenance purposes, provisions shall be made to prevent unauthorized shut off.

TESTING PROGRAM

ANSI Z358.1 requires that all emergency equipment shall be tested weekly to verify proper operation and inspected annually to assure conformance with ANSI Z358.1 - 1998 requirement.

OPTIONS (Foot Pedal Only)

| | |
|---------------------------|---|
| ◇ UAS – Union Angle Stops | ◇ |
|---------------------------|---|

SPEAKMAN®

PO Box 191 Wilmington, DE 19899 Phone: 800-537-2107 Fax: 800-977-2747
Visit us on the web at www.speakmancompany.com

9/07 rev.2
92-2451